



PARTS CATALOGUE

HLC-7016L

HLC-7016ST

Parts Catalogue No.:

Revision Date:

Blank page

FOREWORD

- This parts manual describes the configuration of the part components of the product and is intended only to assist to order spare parts for maintenance work.
- This manual contains no safety information for operating the product or maintenance work. Please observe the safety instructions described in the relevant operation manual.
- The illustrations shown in this manual is not appropriate for workshop instructions, so they should not be used for assembling or disassembling the product. Please refer to the workshop manual for that purpose.
- Use Everdigm genuine parts only.
Warranties do not cover damages that have been caused or aggravated by use of non-genuine parts.
- For product warranty, please refer to the warranty conditions provided separately.
- The illustrations in this manual show only the overall shapes and positions of the part components so they may not be identical with the actual parts.
- For the purpose of continued product improvement, some information in this manual could be changed without prior notice, and might be differ from your product which was not covered by this publication.
- If you found the information that is unclear or not corresponding with the actual product, contact Everdigm or Everdigm distributor.

1. How to use this parts manual

Fig. 01.001 (1)	CYLINDER ASSY (2)
ABC12 (3)	A000-0000 000 (4)

Item	Part. No.	Part Name	Qty	See fig.	Remarks	
1	A000-0010 000	TUBE ASSY	1			
2	A000-0001 000	ROD ASSY	1	01.002		
(5)	(6)	(7)	(8)	(9)	(10)	(11)

Fig. 01.002 ←	ROD ASSY
ABC12	A000-0001 000

1. Fig : Group number.
2. Title : Title name of the assembly shown in the page.
3. Model name: Identification name of the product.
4. Assembly number : Number of the assembly show in the page.
5. Item : Key number Which shows the referring number of the part in corresponding illustration.
6. Part NO. : Identification number of the part or assembly.
7. Rev. : Revision number of part number.
8. Part name : Name of the part.
9. Qty : Quantity used for one unit of their parent assembly containing the parts.
10. See Fig. : Fig number of the part.
11. Remark : Supplementary comment.

2. How to order parts

Please note the full model name and serial number of your product. This code can be found on the nameplate of your product. Compare the parts to order with the corresponding parts in the drawings in this parts manual and note the part numbers to order.

When ordering parts, please specify detail part names as shown in the following example

1. Model name of product:
2. Serial number:
3. Part No.:
4. Part name:
5. Quantity:
6. Purchaser's name & address:

CONTENTS

Chapter 1. Parts List

Fig.	Part Name	Page
00.010	CRANE ASSY	8
01.010	BOOM ASSY	10
01.020	1ST BOOM ASSY	12
01.030	2ND BOOM ASSY	14
01.040	3RD BOOM ASSY	16
01.050	4TH BOOM ASSY	18
01.060	5TH BOOM ASSY	20
01.070	6TH BOOM ASSY	22
01.080	TELESCOPE CYLINDER ASSY	24
02.010	BOOM ASSY	26
02.020	1ST BOOM ASSY	28
02.030	2ND BOOM ASSY	30
02.040	3RD BOOM ASSY	32
02.050	4TH BOOM ASSY	34
02.060	5TH BOOM ASSY	36
02.070	6TH BOOM ASSY	38
02.080	TELESCOPE CYLINDER ASSY	40
03.010	BODY ASSY	42
03.020	POST ASSY	44
03.030	FRAME ASSY	46
03.040	OIL TANK BEAM	50
03.050	OPERATION MTG	52
03.060	OPERATION SET	54
03.070	ACCEL SYSTEM	56
03.080	ROTARY JOINT ASSY	58
03.090	TOP SEAT ASSY	60
03.100	ACCEL PEDAL ASSY	62
04.010	DISTRIBUTOR PIPING	64
04.020	WINCH PIPING	66
04.030	TELESCOPIC PIPING	68
04.040	DERRICK PIPING	70
04.050	SWING PIPING	72
04.060	OUTRIGGER PIPING	74
05.010	MAIN OUTRIGGER ASSY	76
06.010	REAR OUTRIGGER ASSY	78
07.010	LADDER ASSY	82
08.010	WIRE SAFETY DEVICE	84

08.020	WIRE CLAMP SET	86
09.010	THERMOSTAT SYSTEM	88
10.010	OVERWIND PREVENTION DEVICE	90
11.010	LEVEL ASSY	92
12.010	STICKER SET	94
Chapter 2. Index		98

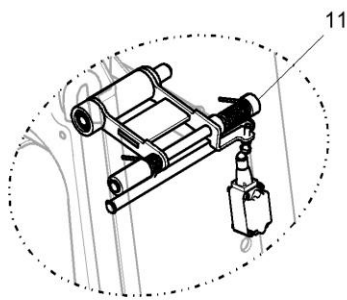
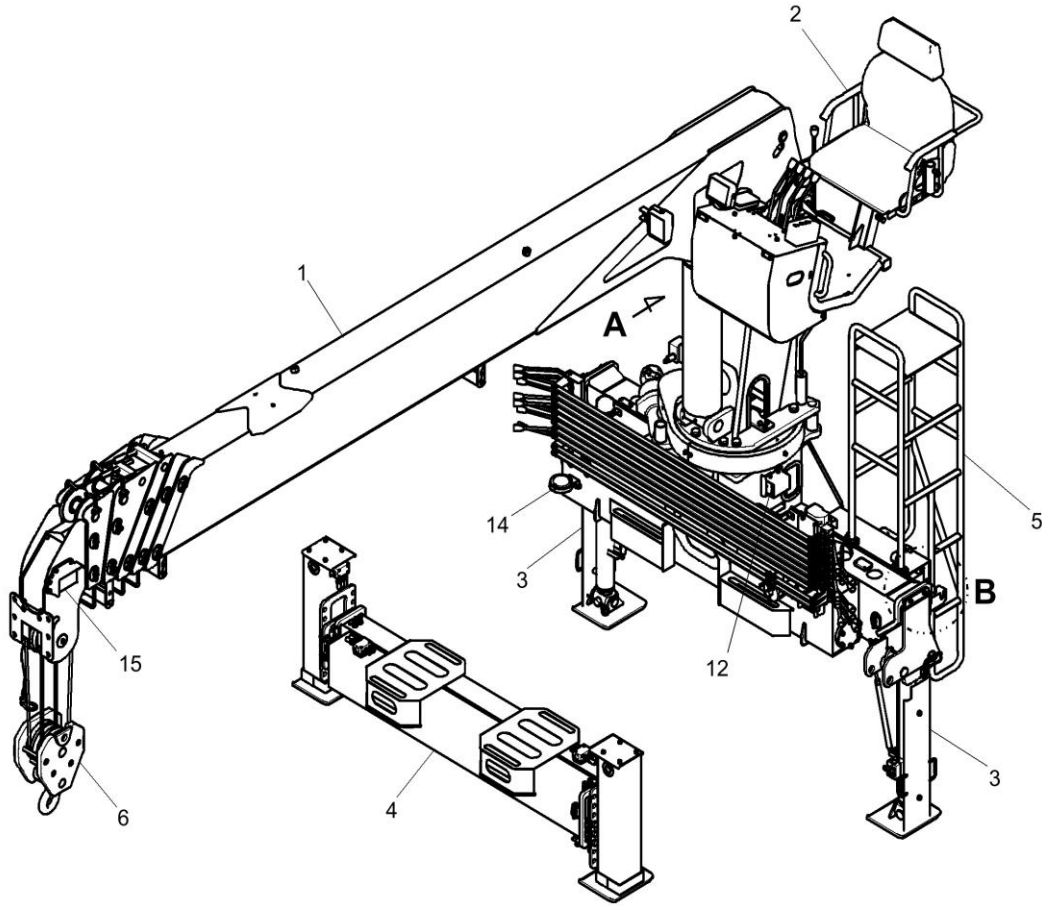
Blank page



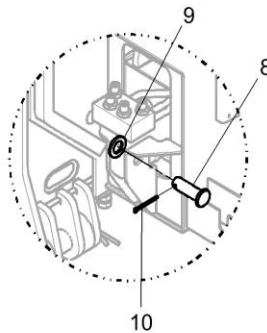
Chapter 1. Parts List

HLC-7016L
HLC-7016ST

Fig. 00.010	CRANE ASSY
HLC-7016L	LB100-0001



VIEW A



DETAIL B

Fig. 00.010	CRANE ASSY
HLC-7016L	LB100-0001

Item	Part Number	Part Name	Qty	See Fig.	Remarks
1	LB110-0001	BOOM ASSY	1	01.010	
2	LB101-0001	BODY ASSY	1	03.010	
3	LB140-0001	MAIN OUTRIGGER ASSY	2	05.010	
4	LB140-0002	REAR OUTRIGGER ASSY	1	06.010	
5	LB166-0001	LADDER ASSY	1	07.010	
6	LB169-0001	HOOK ASSY	1		
7	LB190-0001	STICKER SET	1	12.010	
8	LB108-0025	PIN	2		
9	S5011003	PLAIN WASHER	2		D18-ZPC3
10	S5735611	SPLIT PIN	2		D4-L40-ZPC3
11	LB124-0001	WIRE SAFETY DEVICE	1	08.010	
12	LB134-0001	THERMOSTAT SYSTEM	1	09.010	
14	LB135-0001	LEVEL ASSY	1	11.010	
15	LB580-0001	OVERWIND PREVENTION DEVICE	1	10.010	

EOL

Fig. 01.010	BOOM ASSY
HLC-7016L	LB110-0001

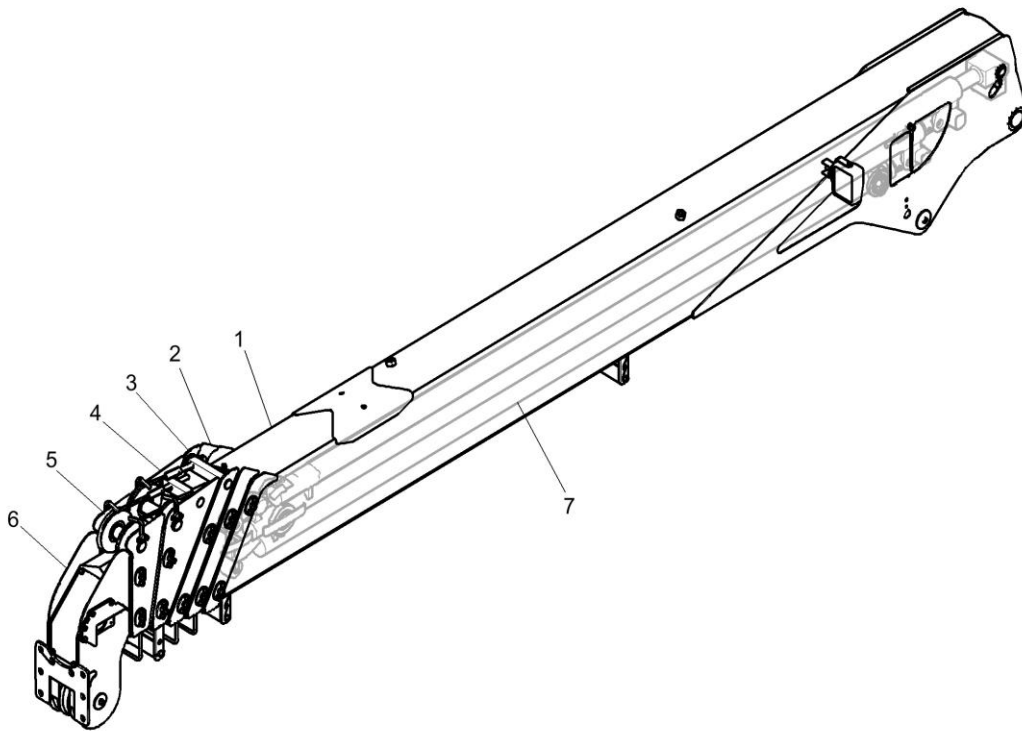
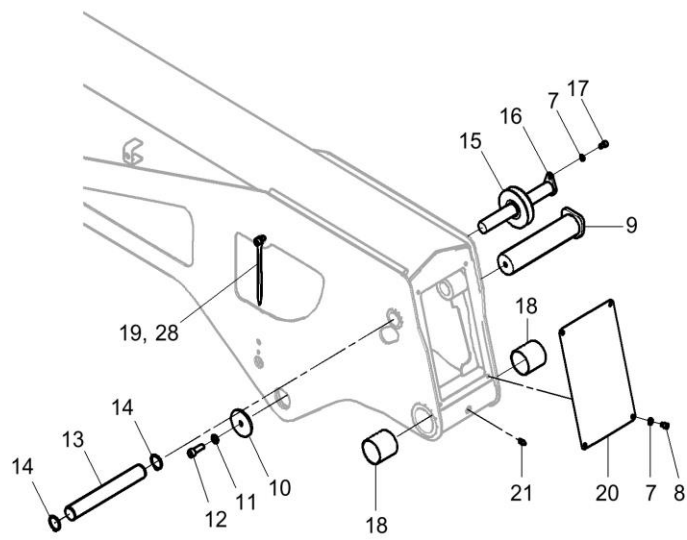
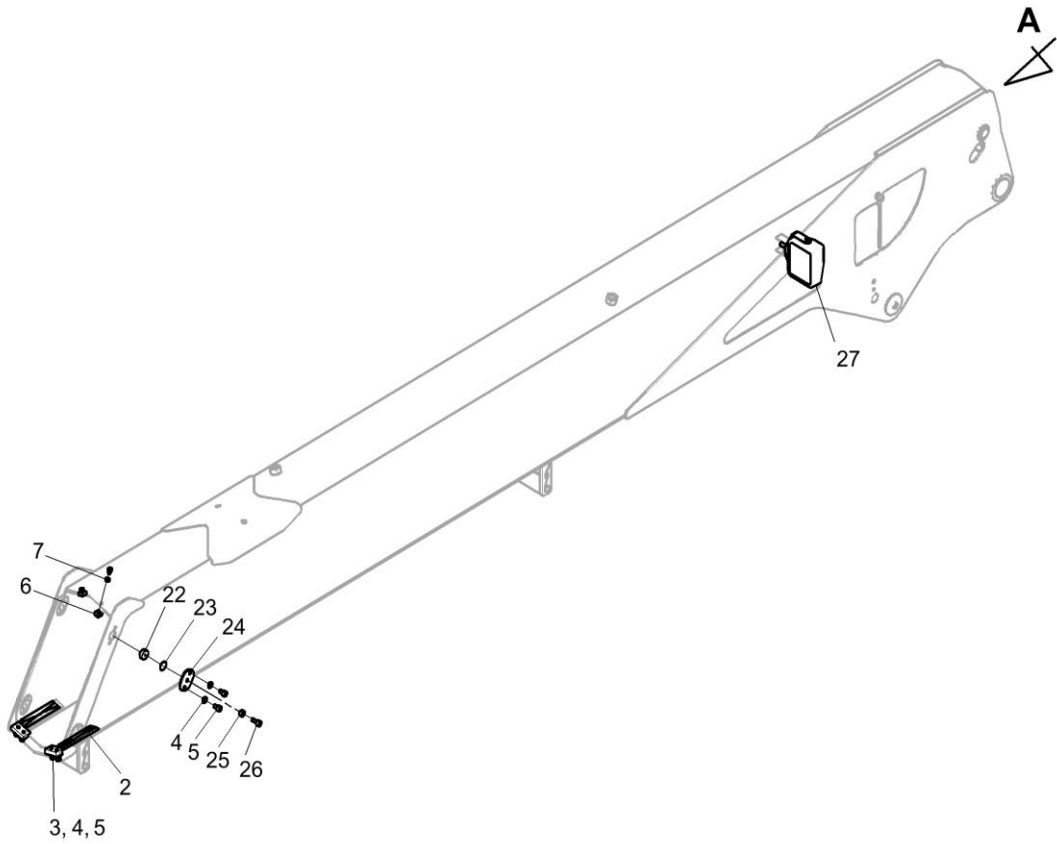


Fig.	01.010	BOOM ASSY
	HLC-7016L	LB110-0001

Item	Part Number	Part Name	Qty	See Fig.	Remarks
1	LB110-0002	1ST BOOM ASSY	1	01.020	
2	LB110-0003	2ND BOOM ASSY	1	01.030	
3	LB110-0004	3RD BOOM ASSY	1	01.040	
4	LB110-0005	4TH BOOM ASSY	1	01.050	
5	LB110-0006	5TH BOOM ASSY	1	01.060	
6	LB110-0007	6TH BOOM ASSY	1	01.070	
7	LB110-0008	TELESCOPE CYLINDER ASSY	1	01.080	

EOL

Fig. 01.020	1ST BOOM ASSY
HLC-7016L	LB110-0002



VIEW A

Fig. 01.020	1ST BOOM ASSY
HLC-7016L	LB110-0002

Item	Part Number	Part Name	Qty	See Fig.	Remarks
1	LB111-0001	1ST BOOM STRUCTURE	1		
2	LB118-0001	SLIDE PAD	2		
3	LB118-0002	PAD STOPPER	2		
4	S5100603	SPRING WASHER	12		D10-ZPC3
5	S2311673	SOCKET BOLT	12		
6	LB118-0003	SPACER	2		
7	S5100503	SPRING WASHER	7		D8-ZPC3
8	S2308473	SOCKET BOLT	6		
9	LB118-0004	SHAFT	1		
10	LB118-0007	PLATE	1		
11	S5100703	SPRING WASHER	1		D12-ZPC3
12	S2315373	SOCKET BOLT	1		
13	LB118-0008	SHAFT	1		
14	S6500350	SNAP RING (C Type)	2		D35
15	LB118-0009	SHEAVE ASSY	1		
16	LB118-0011	SHAFT	1		
17	S2308573	SOCKET BOLT	1		
18	S6283216	DU BUSH	2		
19	LB118-0014	INDICATOR ROD	2		
20	LB118-0015	END COVER	1		
21	S6710043	GREASE NIPPLE (A Type)	1		PT 1/8-ZPC3
22	LB118-0064	SIDE PAD	4		
23	LB118-0017	PLATE	4		
24	LB118-0018	COVER	4		
25	S4010603	HEX NUT	4		M10x1.5-Sty.1-ZPC3
26	S2312073	SOCKET BOLT	4		
27	LB180-0009	WORKING LAMP	1		
28	S2311873	SOCKET BOLT	2		

EOL

Fig. 01.030	2ND BOOM ASSY
HLC-7016L	LB110-0003

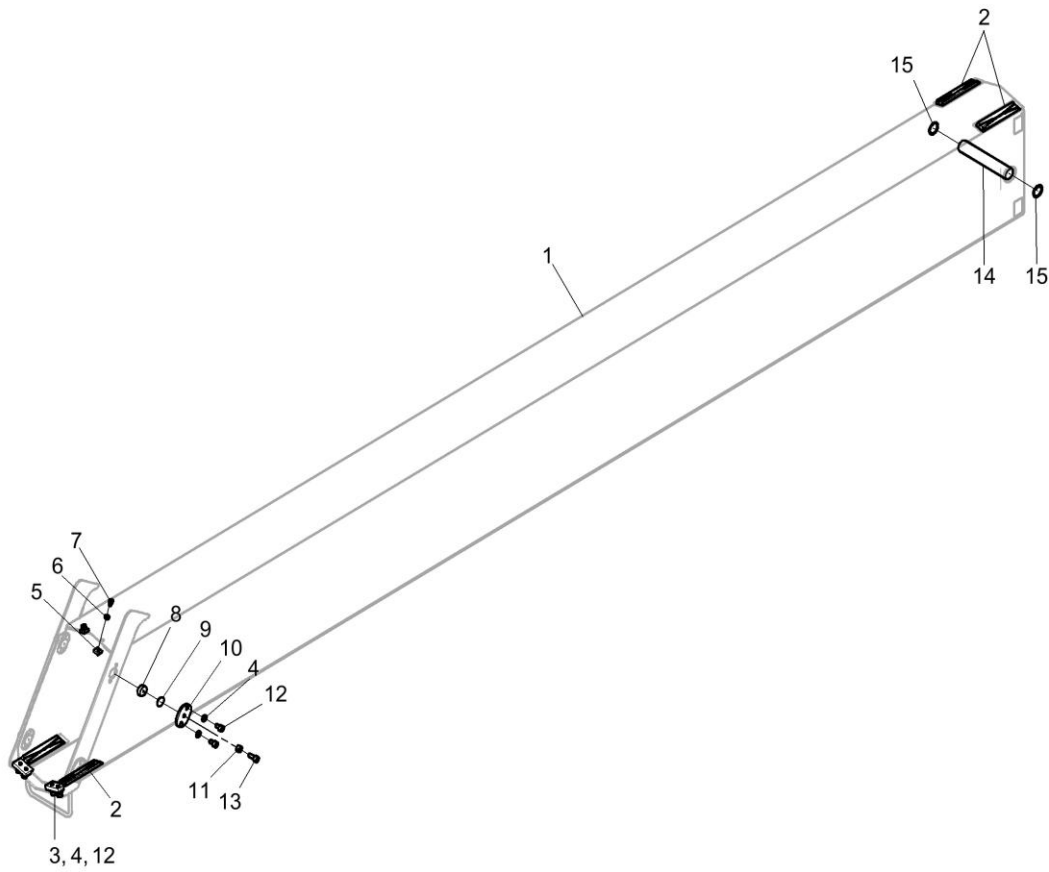


Fig. 01.030	2ND BOOM ASSY
HLC-7016L	LB110-0003

Item	Part Number	Part Name	Qty	See Fig.	Remarks
1	LB112-0001	2ND BOOM STRUCTURE	1		
2	LB118-0001	SLIDE PAD	4		
3	LB118-0019	PAD STOPPER	2		
4	S5100603	SPRING WASHER	12		D10-ZPC3
5	LB118-0020	SPACER	2		
6	S5100503	SPRING WASHER	2		D8-ZPC3
7	S2308473	SOCKET BOLT	2		
8	LB118-0064	SIDE PAD	4		
9	LB118-0017	PLATE	4		
10	LB118-0018	COVER	4		
11	S4010603	HEX NUT	4		M10x1.5-Sty.1-ZPC3
12	S2311673	SOCKET BOLT	12		
13	S2312073	SOCKET BOLT	4		
14	LB118-0021	PIN	1		
15	S6510350	SNAP RING	2		

EOL

Fig. 01.040	3RD BOOM ASSY
HLC-7016L	LB110-0004

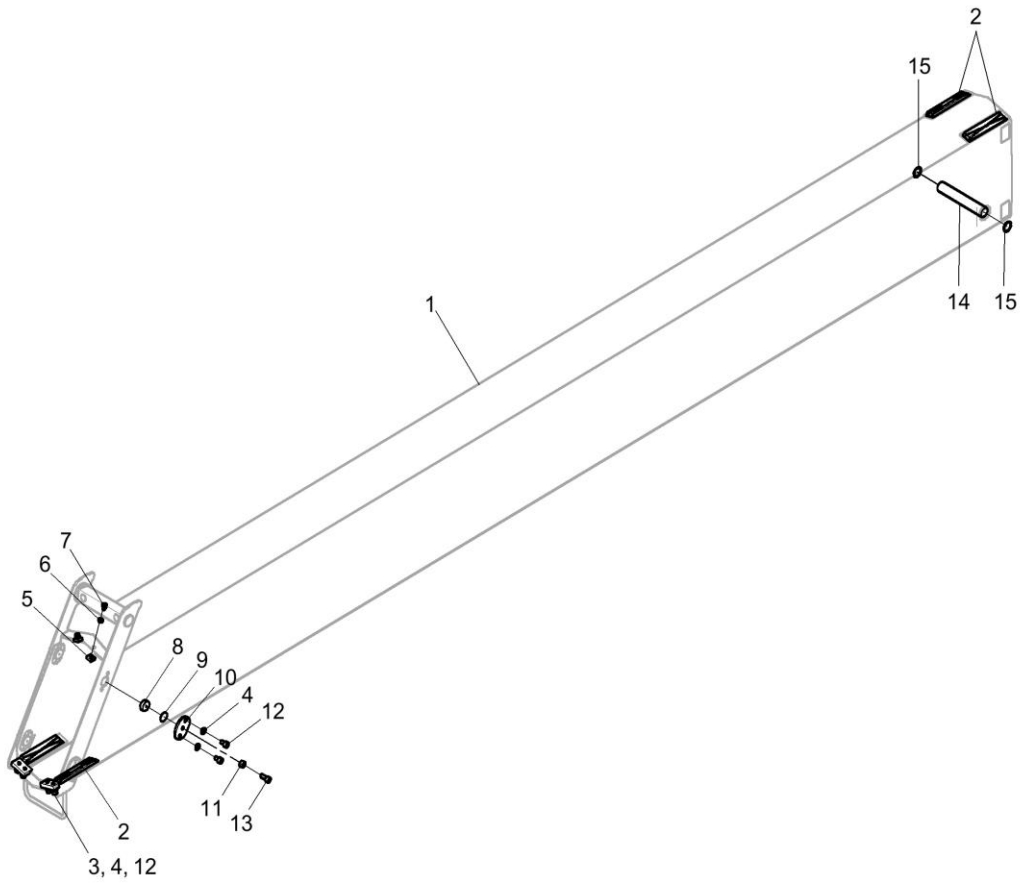


Fig. 01.040	3RD BOOM ASSY
HLC-7016L	LB110-0004

Item	Part Number	Part Name	Qty	See Fig.	Remarks
1	LB113-0001	3RD BOOM STRUCTURE	1		
2	LB118-0001	SLIDE PAD	4		
3	LB118-0019	PAD STOPPER	2		
4	S5100603	SPRING WASHER	12		D10-ZPC3
5	LB118-0020	SPACER	2		
6	S5100503	SPRING WASHER	2		D8-ZPC3
7	S2308473	SOCKET BOLT	2		
8	LB118-0064	SIDE PAD	4		
9	LB118-0017	PLATE	4		
10	LB118-0018	COVER	4		
11	S4010603	HEX NUT	4		M10x1.5-Sty.1-ZPC3
12	S2311673	SOCKET BOLT	12		
13	S2312073	SOCKET BOLT	4		
14	LB118-0022	PIN	1		
15	S6510300	SNAP RING	2		

EOL

Fig. 01.050	4TH BOOM ASSY
HLC-7016L	LB110-0005

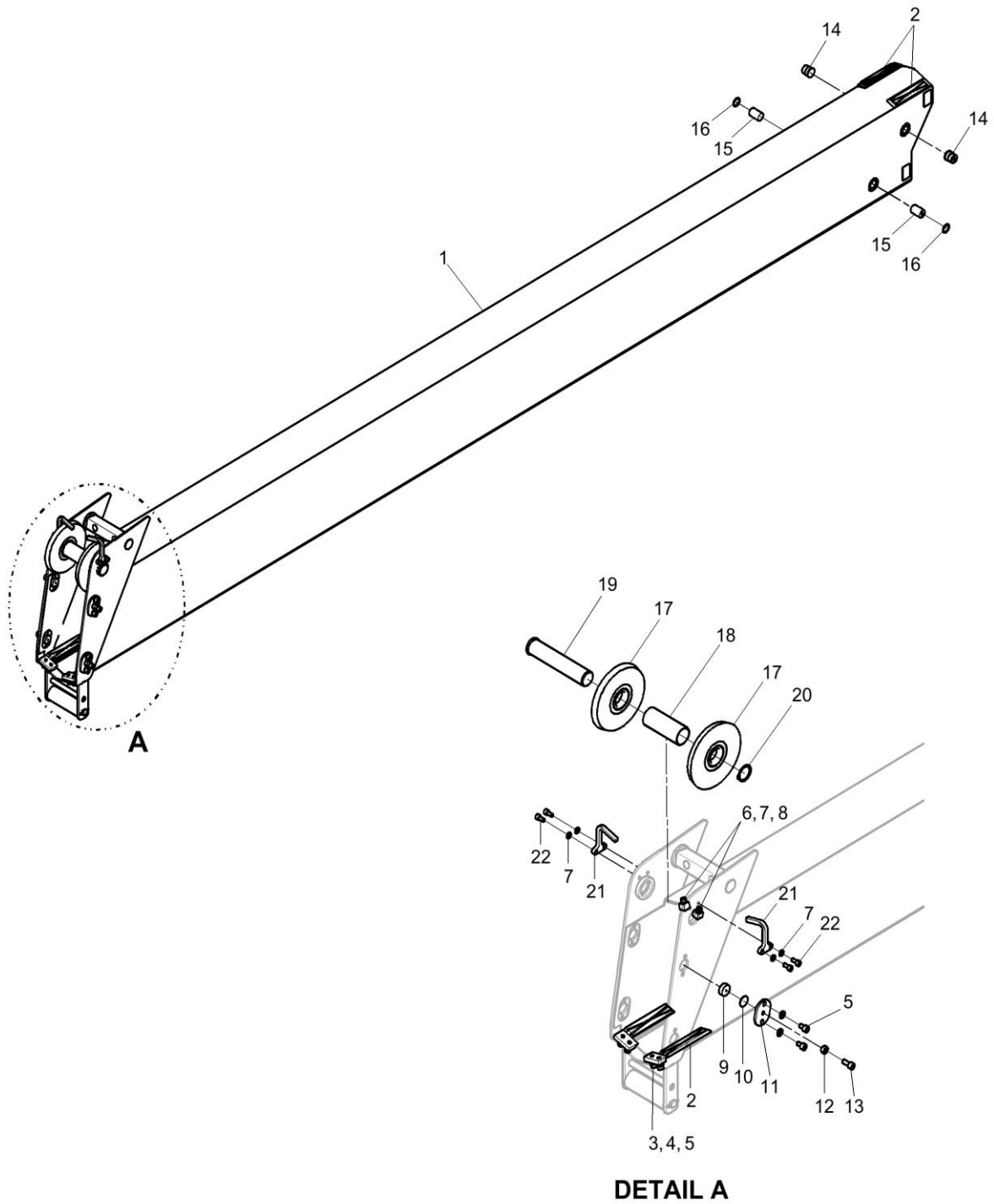


Fig. 01.050	4TH BOOM ASSY
HLC-7016L	LB110-0005

Item	Part Number	Part Name	Qty	See Fig.	Remarks
1	LB114-0001	4TH BOOM STRUCTURE	1		
2	LB118-0023	SLIDE PAD	4		
3	LB118-0024	PAD STOPPER	2		
4	S5100603	SPRING WASHER	12		D10-ZPC3
5	S2311673	SOCKET BOLT	12		
6	LB118-0025	SPACER	2		
7	S5100503	SPRING WASHER	6		D8-ZPC3
8	S2308473	SOCKET BOLT	2		
9	LB118-0065	SIDE PAD	4		
10	LB118-0017	PLATE	4		
11	LB118-0018	COVER	4		
12	S4010603	HEX NUT	4		M10x1.5-Sty.1-ZPC3
13	S2312073	SOCKET BOLT	4		
14	LB118-0026	PIN	2		
15	LB118-0027	PIN	2		
16	S6510280	SNAP RING (C Type)	2		D28
17	LB118-0029	SHEAVE ASSY	2		
18	LB118-0031	SPACER	1		
19	LB118-0032	SHAFT	1		
20	S6500400	SNAP RING (C Type)	1		D40
21	LB118-0035	WIRE GUIDE	2		
22	S2308773	SOCKET BOLT	4		

EOL

Fig. 01.060	5TH BOOM ASSY
HLC-7016L	LB110-0006

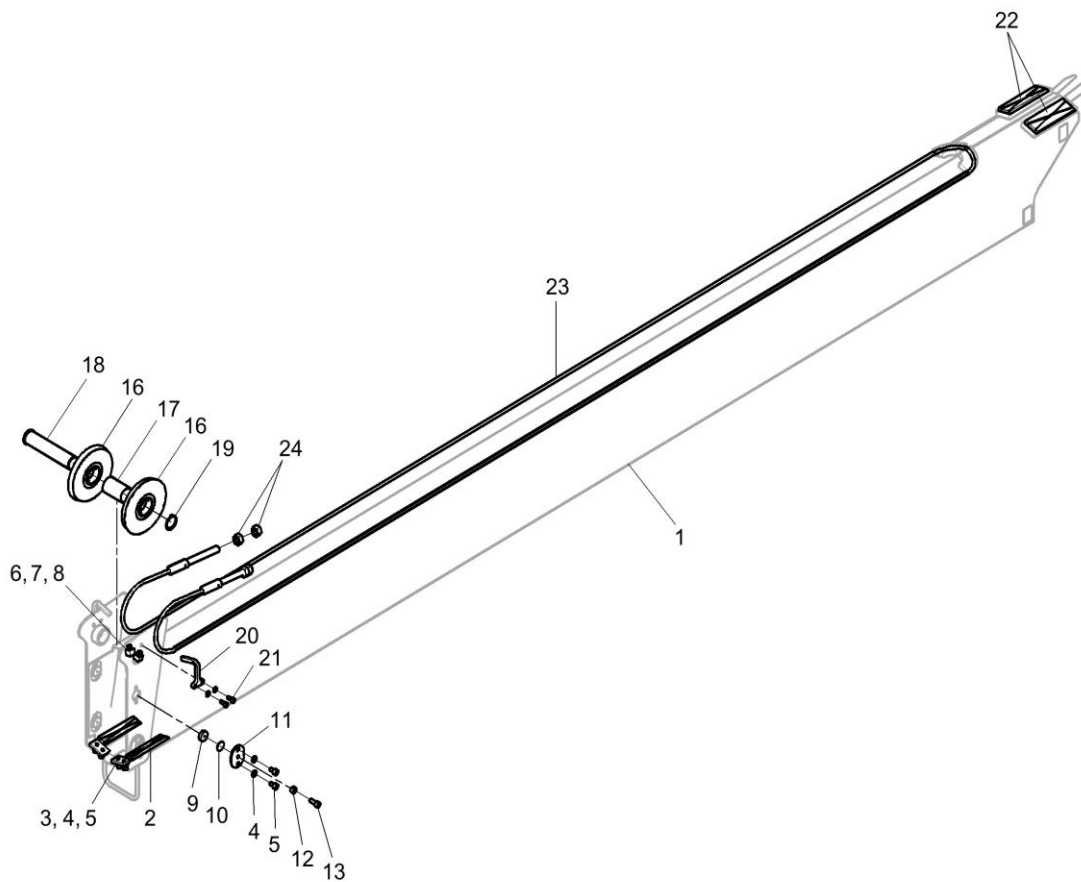


Fig. 01.060	5TH BOOM ASSY
HLC-7016L	LB110-0006

Item	Part Number	Part Name	Qty	See Fig.	Remarks
1	LB115-0001	5TH BOOM STRUCTURE	1		
2	LB118-0023	SLIDE PAD	2		
3	LB118-0036	PAD STOPPER	2		
4	S5100603	SPRING WASHER	12		D10-ZPC3
5	S2311673	SOCKET BOLT	12		
6	LB118-0025	SPACER	2		
7	S5100503	SPRING WASHER	6		D8-ZPC3
8	S2308473	SOCKET BOLT	2		
9	LB118-0016	SIDE PAD	4		
10	LB118-0017	PLATE	4		
11	LB118-0018	COVER	4		
12	S4010603	HEX NUT	4		M10x1.5-Sty.1-ZPC3
13	S2312073	SOCKET BOLT	4		
16	LB118-0038	SHEAVE ASSY	2		
17	LB118-0040	SPACER	1		
18	LB118-0041	SHAFT	1		
19	S6500400	SNAP RING (C Type)	1		D40
20	LB118-0035	WIRE GUIDE	2		
21	S2308773	SOCKET BOLT	4		
22	LB118-0066	SLIDE PAD	2		
23	LB118-0028	EXTENSION WIRE	1		
24	S4011003	HEX NUT	4		

EOL

Fig. 01.070	6TH BOOM ASSY
HLC-7016L	LB110-0007

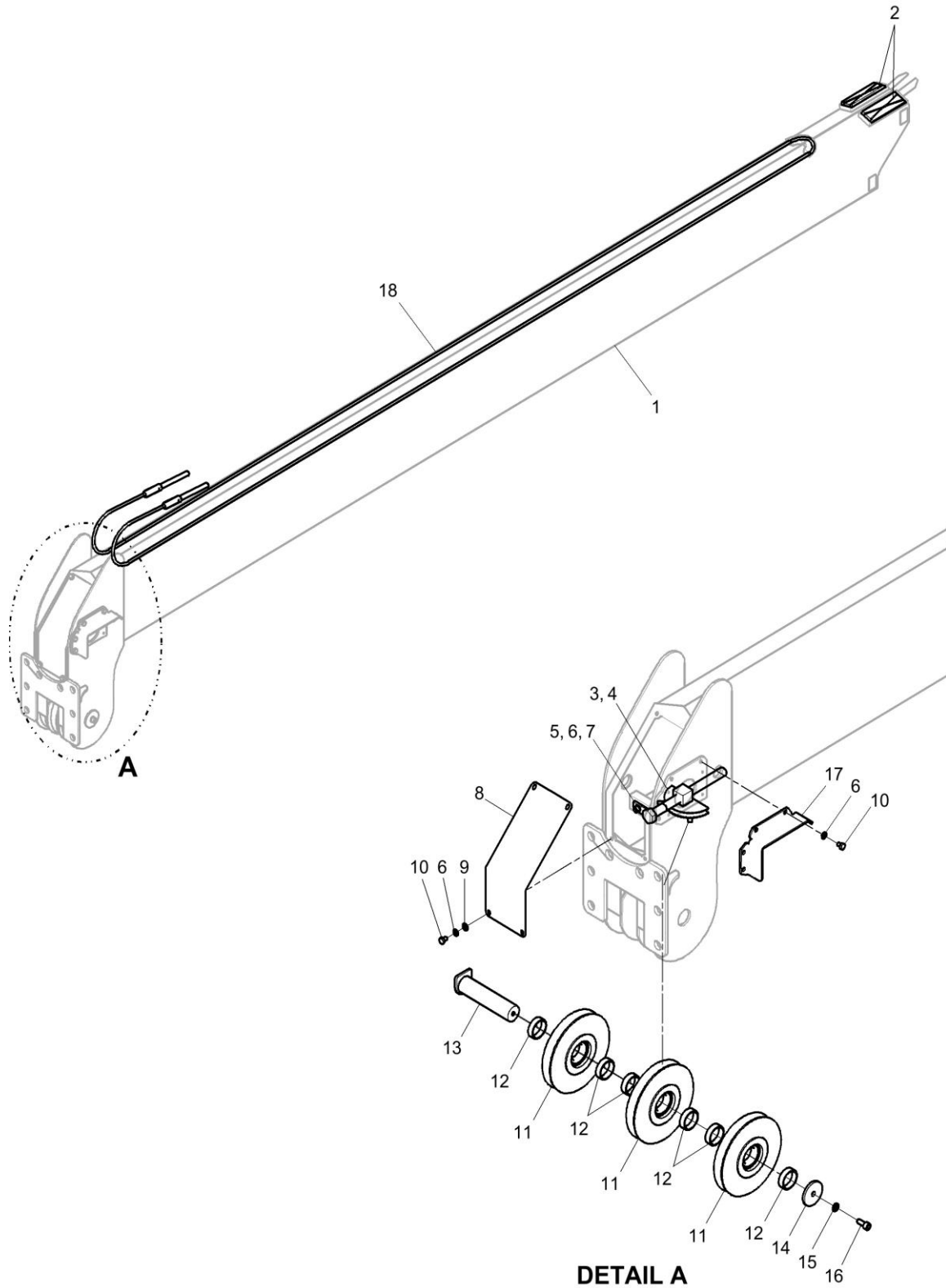


Fig. 01.070	6TH BOOM ASSY
HLC-7016L	LB110-0007

Item	Part Number	Part Name	Qty	See Fig.	Remarks
1	LB116-0001	6TH BOOM STRUCTURE	1		
2	LB118-0066	SLIDE PAD	2		
3	LB118-0044	SHEAVE	1		
4	LB118-0048	HEX BOLT	1		
5	LB118-0049	STOPPER	1		
6	S5100503	SPRING WASHER	9		D8-ZPC3
7	S2308573	SOCKET BOLT	1		
8	LB118-0050	COVER	1		
9	S5000503	PLAIN WASHER	4		D8-ZPC3
10	S0108463	HEX BOLT	8		
11	LB118-0051	SHEAVE ASSY	3		
12	LB118-0053	SPACER	6		
13	LB118-0054	SHAFT	1		
14	LB118-0057	PLATE	1		
15	S5100603	SPRING WASHER	1		D10-ZPC3
16	S2312073	SOCKET BOLT	1		
17	LB118-0058	BRACKET	1		
18	LB118-0037	EXTENSION WIRE	1		
EOL					

Fig. 01.080	TELESCOPE CYLINDER ASSY
HLC-7016L	LB110-0008

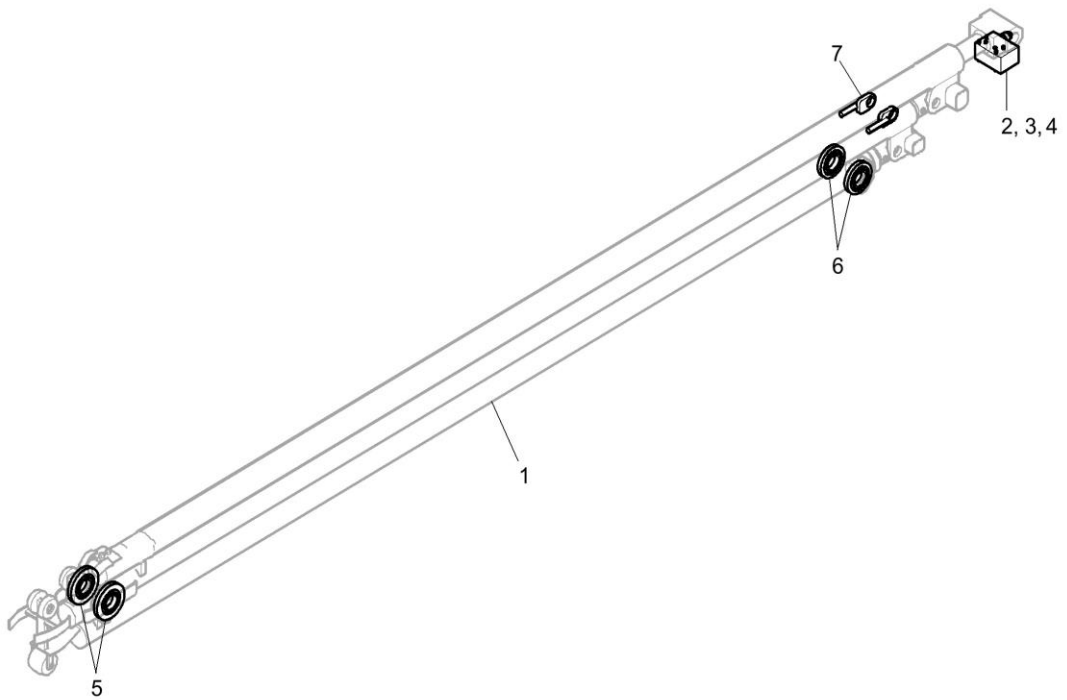


Fig. 01.080	TELESCOPE CYLINDER ASSY
HLC-7016L	LB110-0008

Item	Part Number	Part Name	Qty	See Fig.	Remarks
1	LB171-0001	TELESCOPE CYLINDER	1		
2	LB171-0002	OVER CENTER VALVE	1		
3	S5100303	SPRING WASHER	4		D6-ZPC3
4	S0153973	HEX BOLT	4		
5	LB118-0059	SHEAVE ASSY	2		
6	LB118-0061	SHEAVE ASSY	2		
7	LB118-0063	RETRACTION WIRE	1		

EOL

Fig.	02.010	BOOM ASSY
	HLC-7016L	LB910-0001

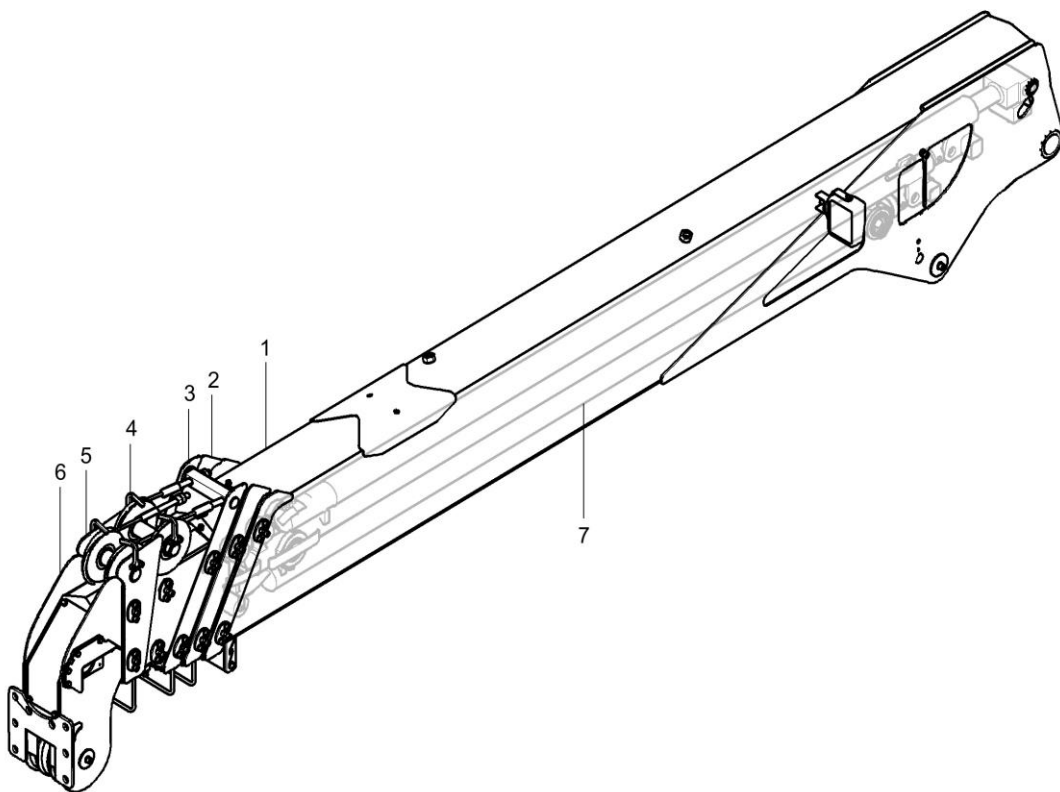
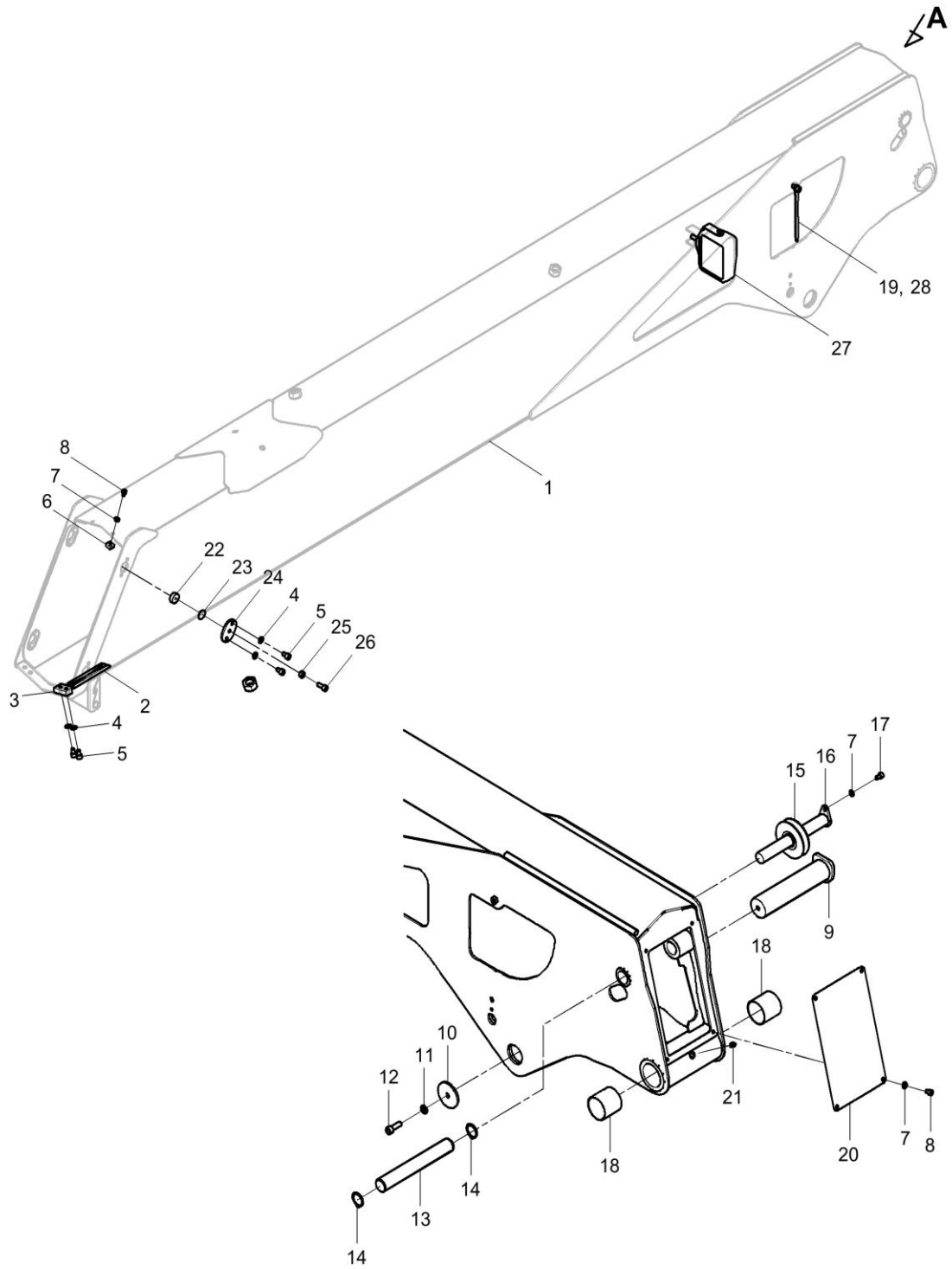


Fig. 02.010	BOOM ASSY
HLC-7016ST	LB910-0001

Item	Part Number	Part Name	Qty	See Fig.	Remarks
1	LB910-0002	1ST BOOM ASSY	1	02.020	
2	LB910-0003	2ND BOOM ASSY	1	02.030	
3	LB910-0004	3RD BOOM ASSY	1	02.040	
4	LB910-0005	4TH BOOM ASSY	1	02.050	
5	LB910-0006	5TH BOOM ASSY	1	02.060	
6	LB910-0007	6TH BOOM ASSY	1	02.070	
7	LB910-0008	TELESCOPE CYLINDER ASSY	1	02.080	

EOL

Fig. 02.020	1ST BOOM ASSY
HLC-7016L	LB910-0002



VIEW A

Fig. 02.020	1ST BOOM ASSY
HLC-7016ST	LB910-0002

Item	Part Number	Part Name	Qty	See Fig.	Remarks
1	LB911-0001	1ST BOOM STRUCTURE	1		
2	LB118-0001	SLIDE PAD	2		
3	LB118-0002	PAD STOPPER	2		
4	S5100603	SPRING WASHER	12		D10-ZPC3
5	S2311673	SOCKET BOLT	12		
6	LB118-0003	SPACER	2		
7	S5100503	SPRING WASHER	7		D8-ZPC3
8	S2308473	SOCKET BOLT	6		
9	LB118-0004	SHAFT	1		
10	LB118-0007	PLATE	1		
11	S5100703	SPRING WASHER	1		D12-ZPC3
12	S2315373	SOCKET BOLT	1		
13	LB118-0008	SHAFT	1		
14	S6500350	SNAP RING (C Type)	2		D35
15	LB118-0009	SHEAVE ASSY	1		
16	LB118-0011	SHAFT	1		
17	S2308573	SOCKET BOLT	1		
18	S6283216	DU BUSH	2		
19	LB118-0014	INDICATOR ROD	2		
20	LB118-0015	END COVER	1		
21	S6710043	GREASE NIPPLE (A Type)	1		PT 1/8-ZPC3
22	LB118-0064	SIDE PAD	4		
23	LB118-0017	PLATE	4		
24	LB118-0018	COVER	4		
25	S4010603	HEX NUT	4		M10x1.5-Sty.1-ZPC3
26	S2312073	SOCKET BOLT	4		
27	LB180-0009	WORKING LAMP	1		
28	S2311873	SOCKET BOLT	2		

EOL

Fig. 02.030	2ND BOOM ASSY
HLC-7016L	LB910-0003

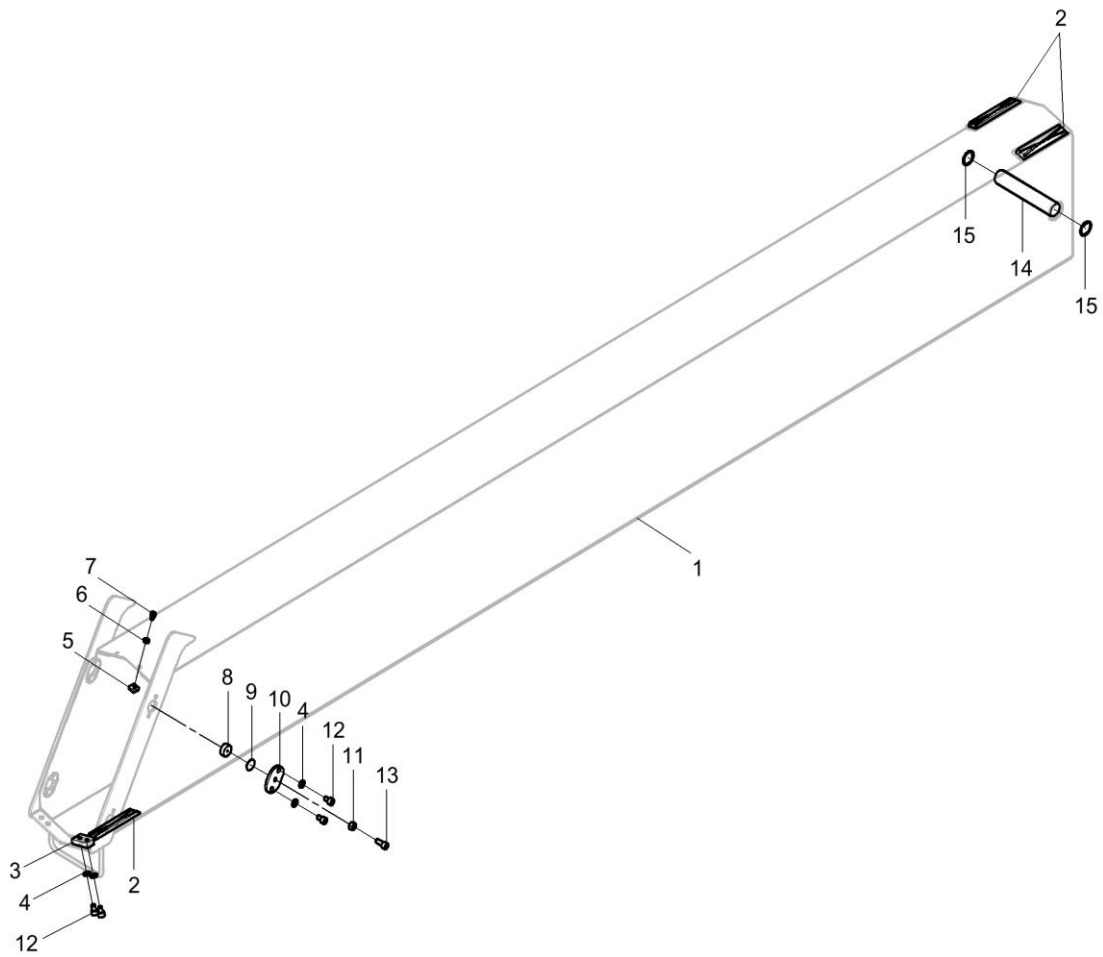


Fig. 02.030	2ND BOOM ASSY
HLC-7016ST	LB910-0003

Item	Part Number	Part Name	Qty	See Fig.	Remarks
1	LB912-0001	2ND BOOM STRUCTURE	1		
2	LB118-0001	SLIDE PAD	4		
3	LB118-0019	PAD STOPPER	2		
4	S5100603	SPRING WASHER	12		D10-ZPC3
5	LB118-0020	SPACER	2		
6	S5100503	SPRING WASHER	2		D8-ZPC3
7	S2308473	SOCKET BOLT	2		
8	LB118-0064	SIDE PAD	4		
9	LB118-0017	PLATE	4		
10	LB118-0018	COVER	4		
11	S4010603	HEX NUT	4		M10x1.5-Sty.1-ZPC3
12	S2311673	SOCKET BOLT	12		
13	S2312073	SOCKET BOLT	4		
14	LB118-0021	PIN	1		
15	S6510350	SNAP RING	2		

EOL

Fig. 02.040	3RD BOOM ASSY
HLC-7016L	LB910-0004

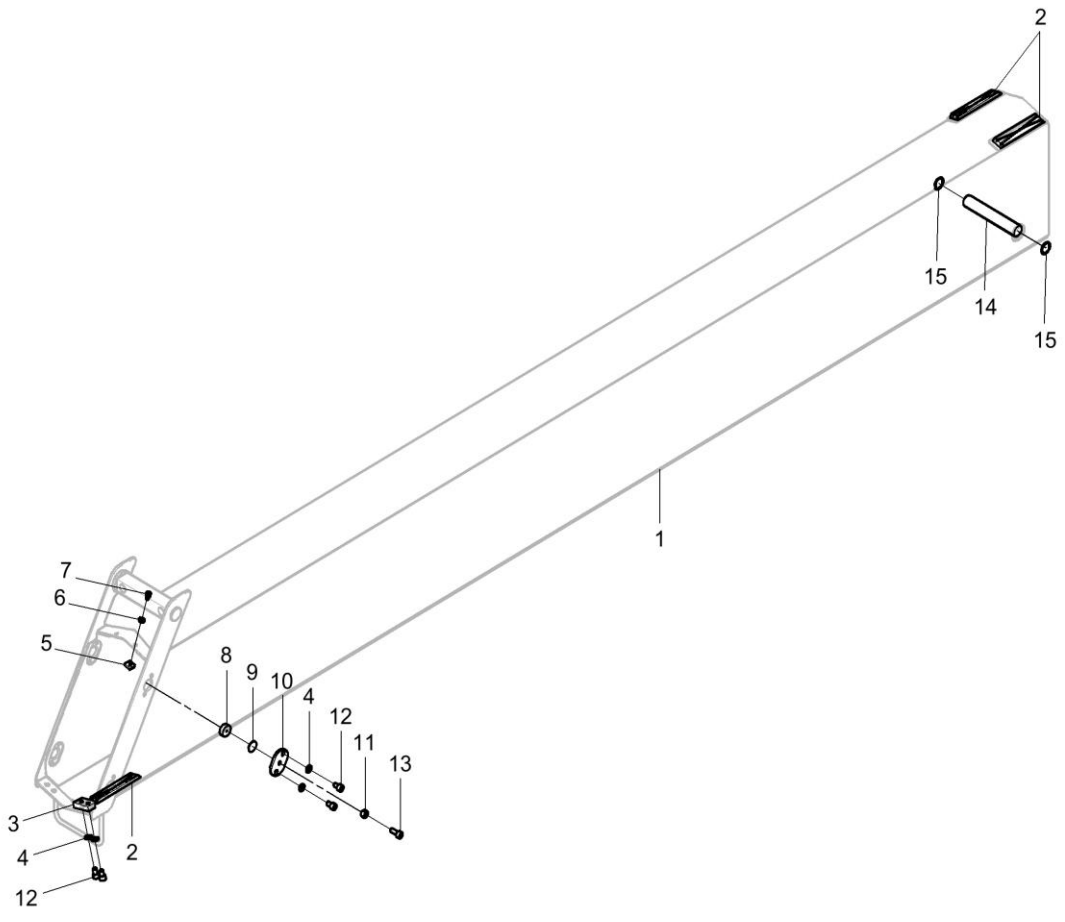


Fig. 02.040	3RD BOOM ASSY
HLC-7016ST	LB910-0004

Item	Part Number	Part Name	Qty	See Fig.	Remarks
1	LB913-0001	3RD BOOM STRUCTURE	1		
2	LB118-0001	SLIDE PAD	4		
3	LB118-0019	PAD STOPPER	2		
4	S5100603	SPRING WASHER	12		D10-ZPC3
5	LB118-0020	SPACER	2		
6	S5100503	SPRING WASHER	2		D8-ZPC3
7	S2308473	SOCKET BOLT	2		
8	LB118-0064	SIDE PAD	4		
9	LB118-0017	PLATE	4		
10	LB118-0018	COVER	4		
11	S4010603	HEX NUT	4		M10x1.5-Sty.1-ZPC3
12	S2311673	SOCKET BOLT	12		
13	S2312073	SOCKET BOLT	4		
14	LB118-0022	PIN	1		
15	S6510300	SNAP RING	2		

EOL

Fig. 02.050	4TH BOOM ASSY
HLC-7016L	LB910-0005

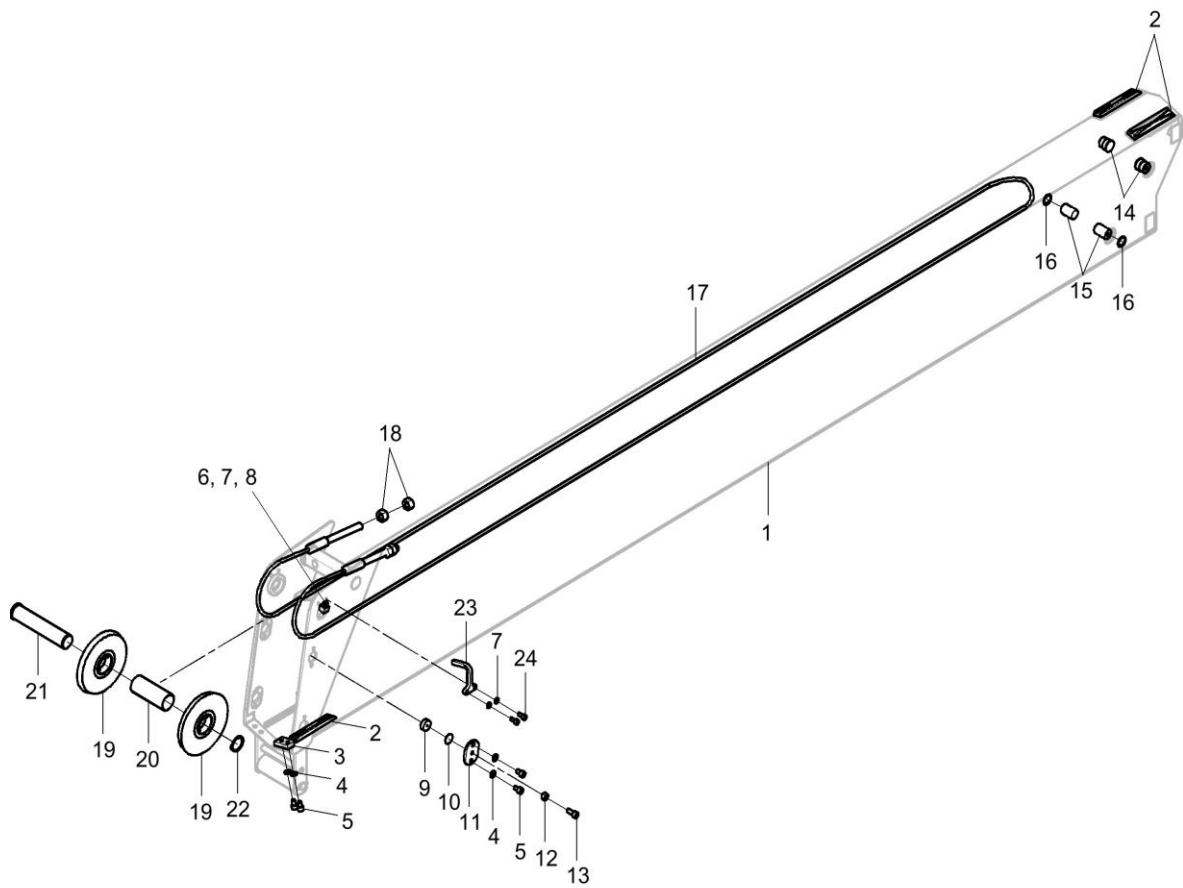


Fig. 02.050	4TH BOOM ASSY
HLC-7016ST	LB910-0005

Item	Part Number	Part Name	Qty	See Fig.	Remarks
1	LB914-0001	4TH BOOM STRUCTURE	1		
2	LB118-0023	SLIDE PAD	4		
3	LB118-0024	PAD STOPPER	2		
4	S5100603	SPRING WASHER	12		D10-ZPC3
5	S2311673	SOCKET BOLT	12		
6	LB118-0025	SPACER	2		
7	S5100503	SPRING WASHER	6		D8-ZPC3
8	S2308473	SOCKET BOLT	2		
9	LB118-0065	SIDE PAD	4		
10	LB118-0017	PLATE	4		
11	LB118-0018	COVER	4		
12	S4010603	HEX NUT	4		M10x1.5-Sty.1-ZPC3
13	S2312073	SOCKET BOLT	4		
14	LB118-0026	PIN	2		
15	LB118-0027	PIN	2		
16	S6510280	SNAP RING (C Type)	2		D28
17	LB918-0002	EXTENSION WIRE	1		
18	S4011003	HEX NUT	4		
19	LB118-0029	SHEAVE ASSY	2		
20	LB118-0031	SPACER	1		
21	LB118-0032	SHAFT	1		
22	S6500400	SNAP RING (C Type)	1		D40
23	LB118-0035	WIRE GUIDE	2		
24	S2308773	SOCKET BOLT	4		
EOL					

Fig. 02.060	5TH BOOM ASSY
HLC-7016L	LB910-0006

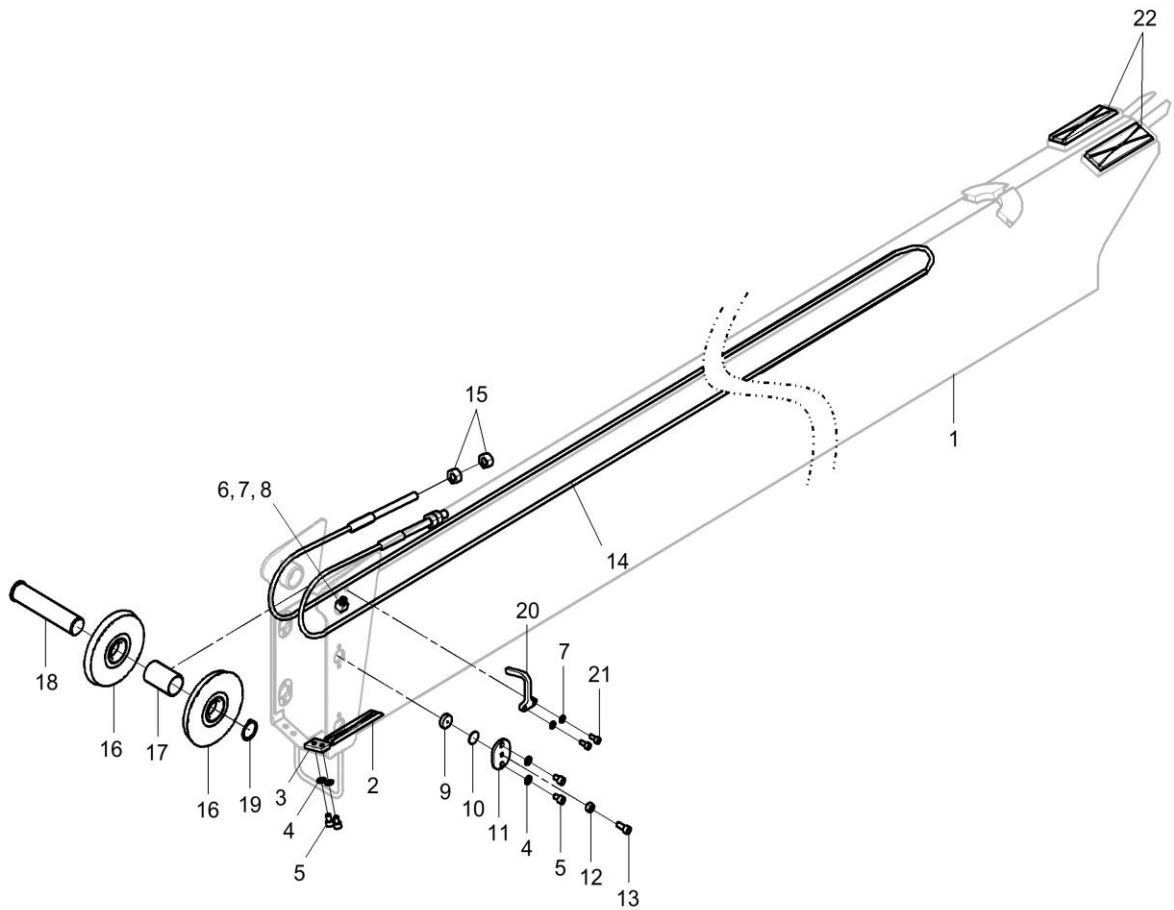


Fig. 02.060	5TH BOOM ASSY
HLC-7016ST	LB910-0006

Item	Part Number	Part Name	Qty	See Fig.	Remarks
1	LB915-0001	5TH BOOM BEAM	1		
2	LB118-0023	SLIDE PAD	2		
3	LB118-0036	PAD STOPPER	2		
4	S5100603	SPRING WASHER	12		D10-ZPC3
5	S2311673	SOCKET BOLT	12		
6	LB118-0025	SPACER	2		
7	S5100503	SPRING WASHER	6		D8-ZPC3
8	S2308473	SOCKET BOLT	2		
9	LB118-0016	SIDE PAD	4		
10	LB118-0017	PLATE	4		
11	LB118-0018	COVER	4		
12	S4010603	HEX NUT	4		M10x1.5-Sty.1-ZPC3
13	S2312073	SOCKET BOLT	4		
14	LB918-0001	EXTENSION WIRE	1		
15	S4011003	HEX NUT	4		
16	LB118-0038	SHEAVE ASSY	2		
17	LB118-0040	SPACER	1		
18	LB118-0041	SHAFT	1		
19	S6500400	SNAP RING (C Type)	1		D40
20	LB118-0035	WIRE GUIDE	2		
21	S2308773	SOCKET BOLT	4		
22	LB118-0066	SLIDE PAD	2		

EOL

Fig. 02.070	6TH BOOM ASSY
HLC-7016L	LB910-0007

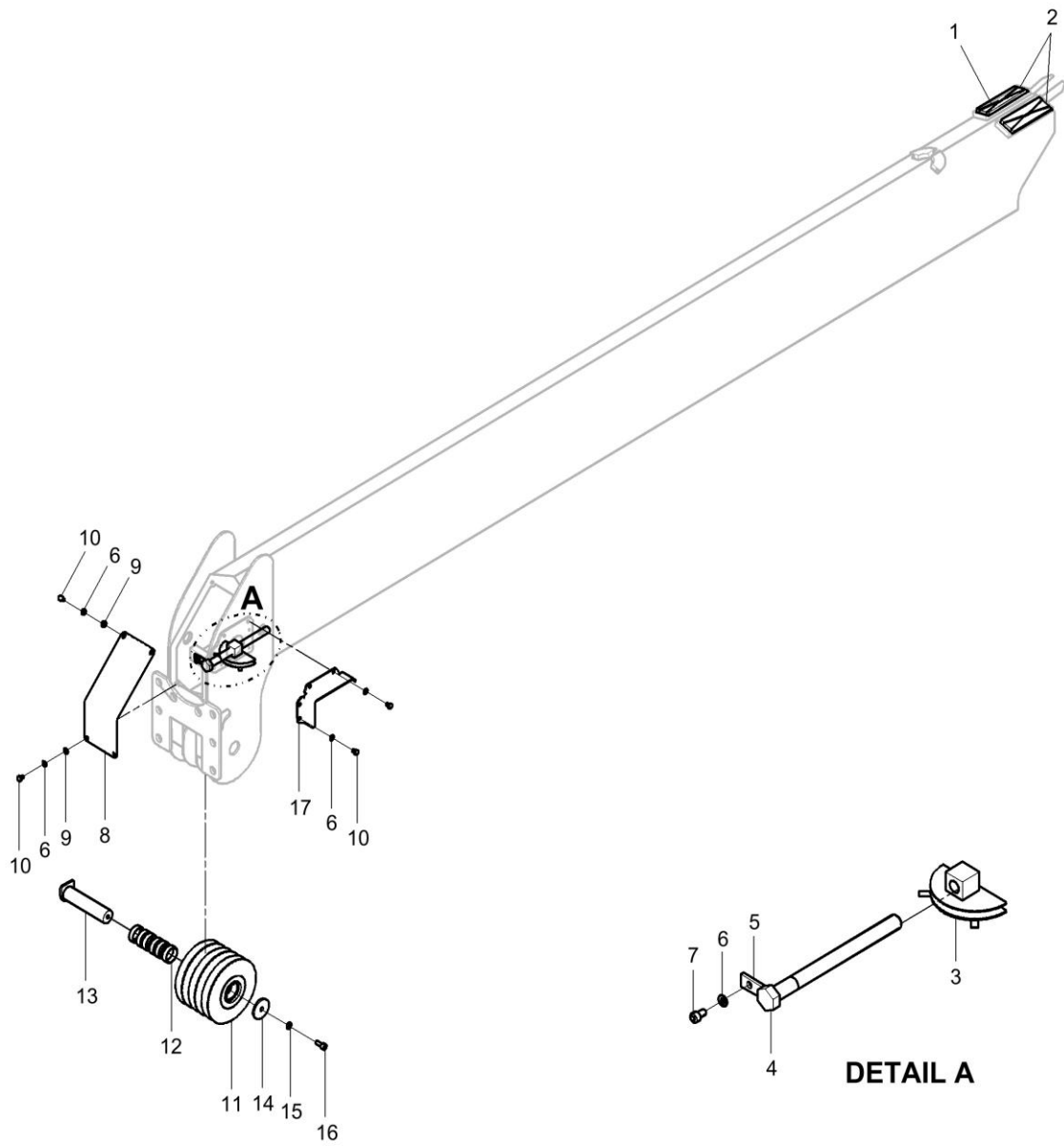


Fig. 02.070	6TH BOOM ASSY
HLC-701ST	LB910-0007

Item	Part Number	Part Name	Qty	See Fig.	Remarks
1	LB916-0001	6TH BOOM BEAM	1		
2	LB118-0066	SLIDE PAD	2		
3	LB118-0044	SHEAVE	1		
4	LB118-0048	HEX BOLT	1		
5	LB118-0049	STOPPER	1		
6	S5100503	SPRING WASHER	9		D8-ZPC3
7	S2308573	SOCKET BOLT	1		
8	LB118-0050	COVER	1		
9	S5000503	PLAIN WASHER	4		D8-ZPC3
10	S0108463	HEX BOLT	8		
11	LB118-0051	SHEAVE ASSY	3		
12	LB118-0053	SPACER	6		
13	LB118-0054	SHAFT	1		
14	LB118-0057	PLATE	1		
15	S5100603	SPRING WASHER	1		D10-ZPC3
16	S2312073	SOCKET BOLT	1		
17	LB118-0058	BRACKET	1		

EOL

Fig. 02.080	TELESCOPE CYLINDER ASSY
HLC-7016L	LB910-0008

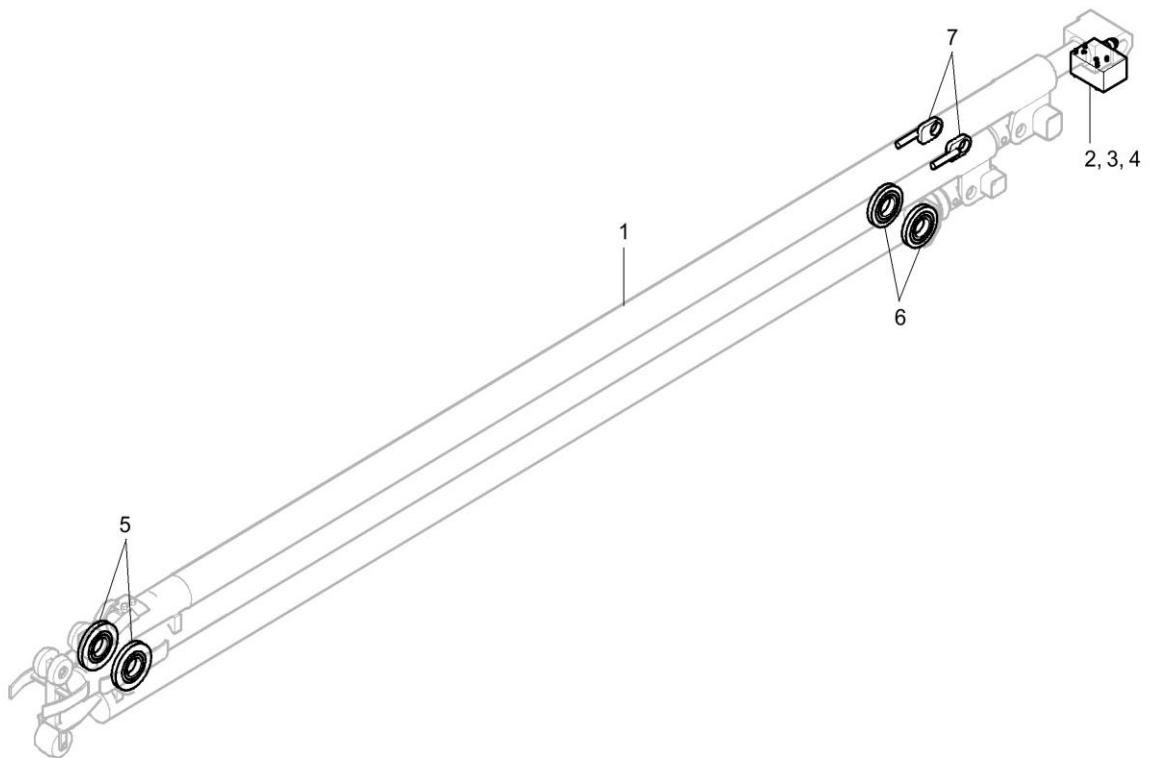
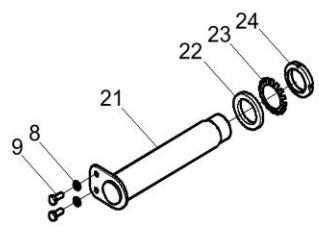
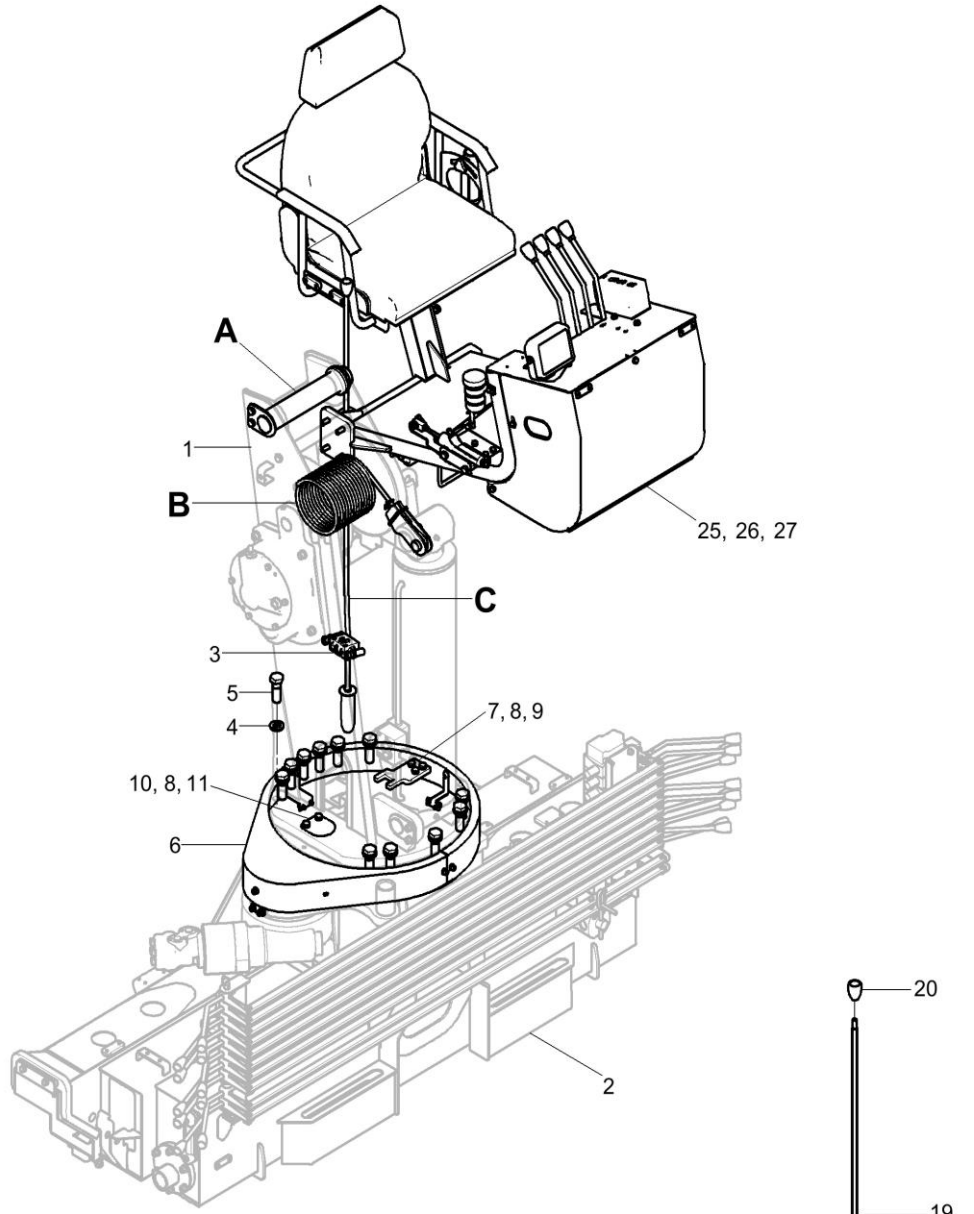


Fig.	02.080	TELESCOPE CYLINDER ASSY
	HLC-7016ST	LB910-0008

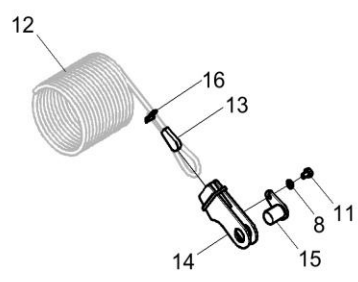
Item	Part Number	Part Name	Qty	See Fig.	Remarks
1	LB971-0001	TELESCOPE CYLINDER	1		
2	LB171-0002	OVER CENTER VALVE	1		
3	S5100303	SPRING WASHER	4		D6-ZPC3
4	S0153973	HEX BOLT	4		
5	LB118-0059	SHEAVE ASSY	2		
6	LB118-0061	SHEAVE ASSY	2		
7	LB918-0003	RETRACTION WIRE	1		

EOL

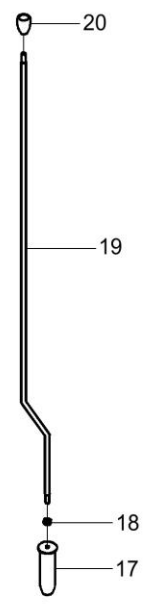
Fig. 03.010	BODY ASSY
HLC-7016L	LB101-0001



DETAIL A



DETAIL B



DETAIL C

Fig. 03.010	BODY ASSY
HLC-7016L	LB101-0001

Item	Part Number	Part Name	Qty	See Fig.	Remarks
1	LB120-0001	POST ASSY	1	03.020	
2	LB130-0001	FRAME ASSY	1	03.030	
3	LB150-0001	PIPING ASSY	1		
4	S5103203	SPRING WASHER	12		
5	S0172570	HEX BOLT	12		
6	LB108-0001	COVER ASSY	1		
7	LB108-0007	STOPPER	1		
8	S5102603	SPRING WASHER	8		D10-ZPC3
9	S0112063	HEX BOLT	5		M10x1.5-L25-FULL-ZPC3
10	LB108-0008	COVER	1		
11	S0111663	HEX BOLT	3		M10x1.5-L16-FULL-ZPC3
12	LB108-0009	WIRE ROPE	1		
13	LB108-0010	WEDGE	1		
14	LB108-0011	OPEN SOCKET	1		
15	LB108-0016	OPEN SOCKET PIN	1		
16	LB108-0026	WIRE CLIP	1		
17	LB108-0019	PIN	1		
18	S4012643	HEX NUT	1		M10x1.5-Sty.2-ZPC3
19	LB108-0020	ROD	1		
20	LB122-0011	KNOB	1		
21	LB108-0021	SHAFT	1		
22	LB108-0024	PLATE	1		
23	S6270110	ROLLING BEARING WASHER(#AW)	1		D55
24	S6260110	BEARING LOCKNUT (#AN)	1		M55x2
25	LB122-0001	TOP SEAT ASSY	1	03.090	
26	S5102703	SPRING WASHER	4		D12-ZPC3
27	S0160663	HEX BOLT	4		M12x1.75-L45-ZPC3

EOL

Fig.

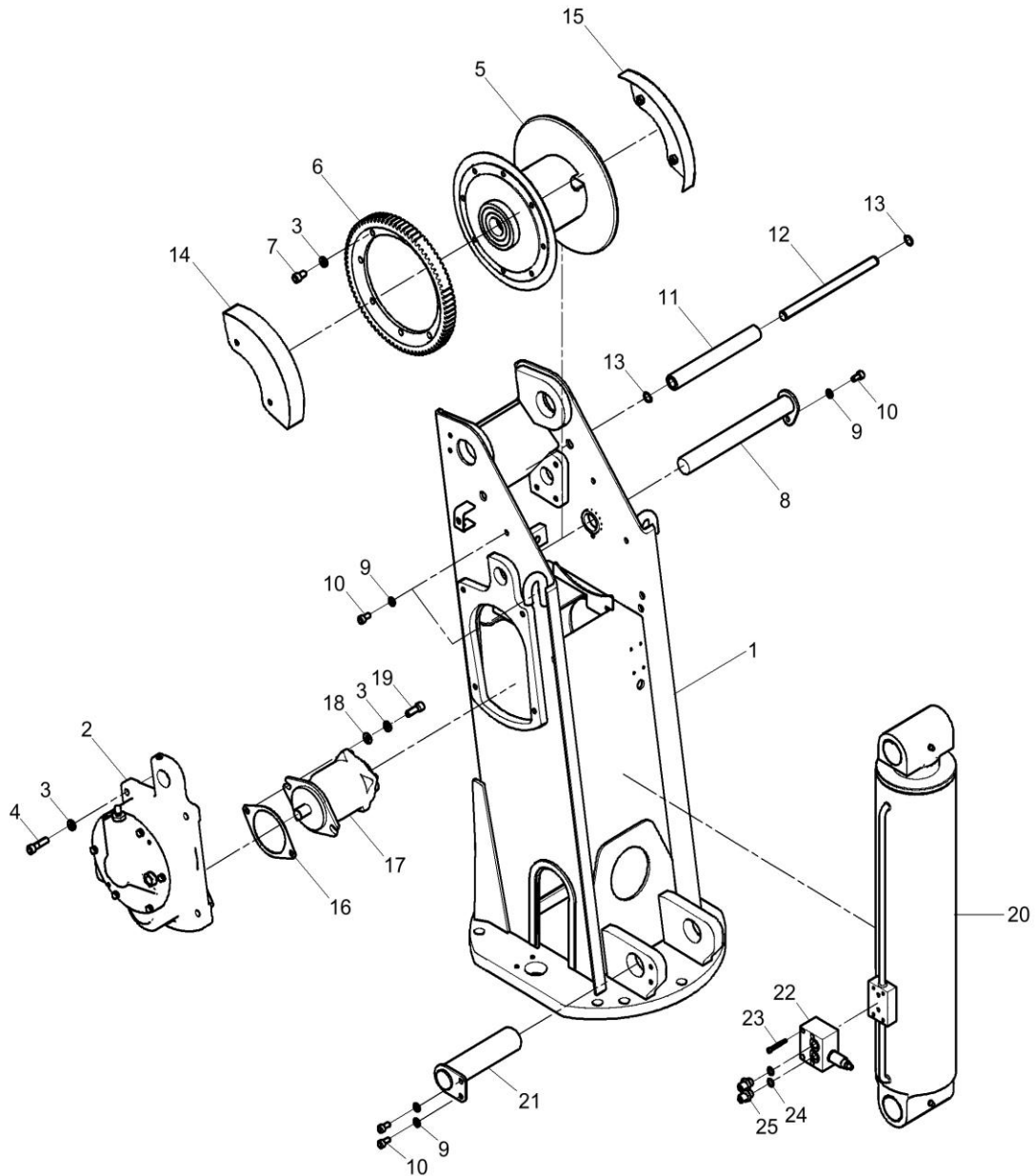
03.020**POST ASSY****HLC-7016L****LB120-0001**

Fig. 03.020	POST ASSY
HLC-7016L	LB120-0001

Item	Part Number	Part Name	Qty	See Fig.	Remarks
1	LB121-0001	POST STRUCTURE	1		
2	LB171-0003	REDUCER	1		
3	S5102703	SPRING WASHER	14		D12-ZPC3
4	S2215573	SOCKET BOLT	4		
5	LB128-0001	WINCH DRUM	1		
6	LB171-0004	RING GEAR	1		
7	S2214873	SOCKET BOLT	8		M12x1.75-L20-ZPC3
8	LB128-0009	DRUM SHAFT	1		
9	S5102603	SPRING WASHER	7		D10-ZPC3
10	S2211873	SOCKET BOLT	7		
11	LB128-0012	ROLLER ASSY	1		
12	LB128-0015	ROLLER PIN	1		
13	S6500200	SNAP RING (C Type)	2		D20
14	LB128-0016	DRUM COVER	1		
15	LB128-0019	DRUM COVER	1		
16	LB128-0021	GASKET	1		
17	LB171-0005	WINCH MOTOR	1		
18	S5000703	PLAIN WASHER	2		D12-ZPC3
19	S2215373	SOCKET BOLT	2		
20	LB171-0006	DERRICK CYLINDER	1		
21	LB128-0022	SHAFT	1		
22	LB171-0007	OVER CENTER VALVE	1		
23	S2205673	SOCKET BOLT	4		
24	S8000141	O-RING	2		
25	LW271-0305	HOSE ADAPTER	2		

EOL

Fig. 03.030	FRAME ASSY
HLC-7016L	LB130-0001

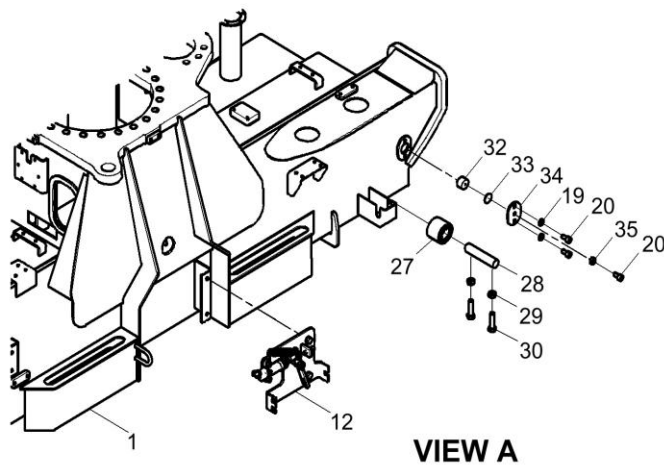
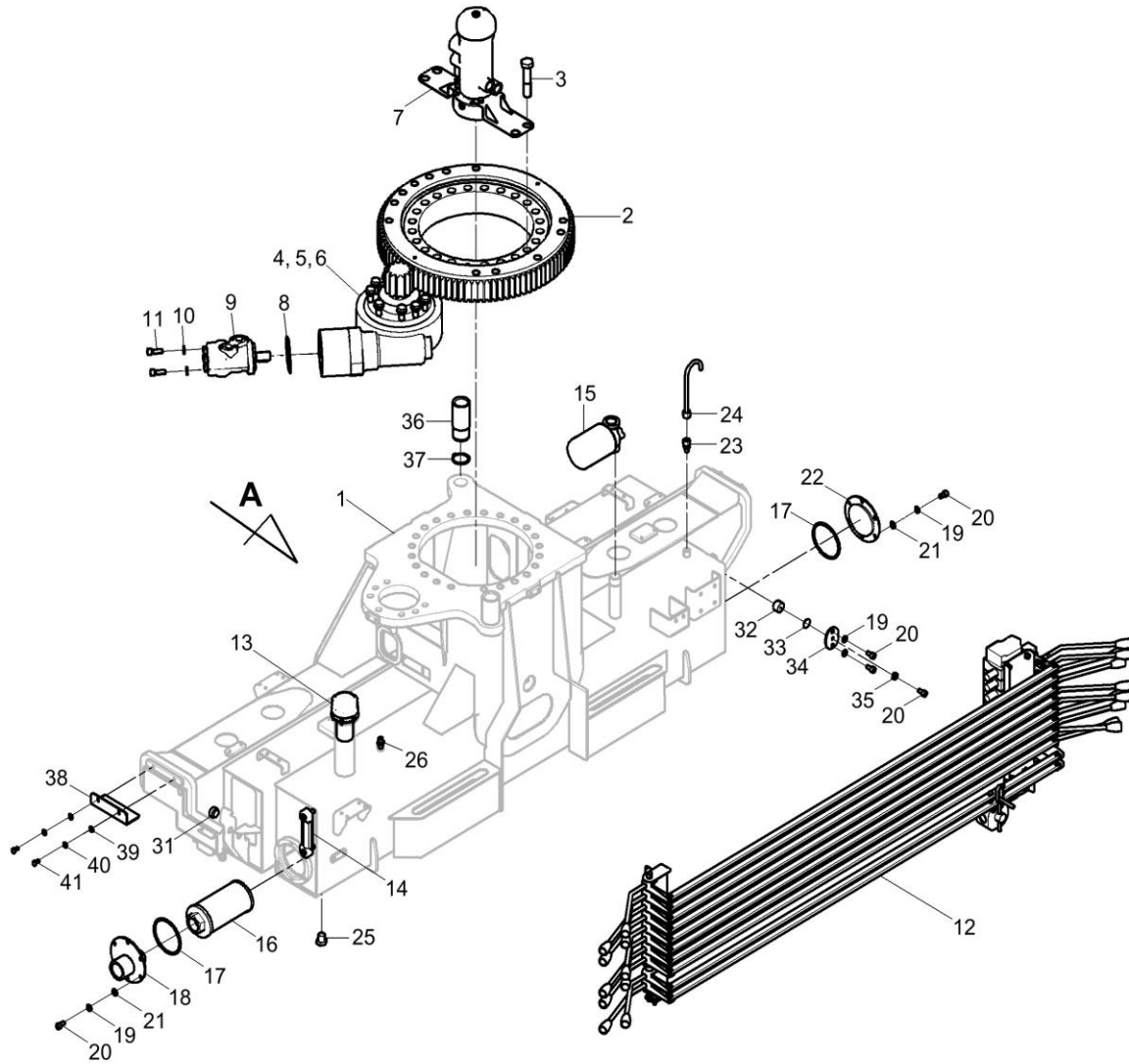


Fig. 03.030	FRAME ASSY
HLC-7016L	LB130-0001

Item	Part Number	Part Name	Qty	See Fig.	Remarks
1	LB131-0001	FRAME STRUCTURE	1		
2	LB171-0014	SLEWING BEARING	1		
3	S0173370	HEX BOLT	23		
4	LB171-0015	SLEWING R/G SET	1		
5	S5102903	SPRING WASHER	7		D16-ZPC3
6	S0165263	HEX BOLT	7		M16x2-L50-ZPC3
7	LB138-0001	ROTARY JOINT ASSY	1	03.080	
8	LB138-0005	GASKET	1		
9	LB171-0017	SLEWING MOTOR	1		
10	S5102703	SPRING WASHER	2		D12-ZPC3
11	S2215373	SOCKET BOLT	2		
12	LB132-0001	OPERATION MTG	1	03.050	
13	LB138-0006	BREATHER	1		
14	LB138-0007	OIL LEVELGUAGE	1		
15	LB138-0008	FILTER ASSY	1		
16	LB138-0009	SUCTION STRAINER	1		
17	S8001051	O-RING	2		P103-1B
18	LB138-0010	SUCTION FLANGE	1		
19	S5102603	SPRING WASHER	16		D10-ZPC3
20	S2211873	SOCKET BOLT	18		
21	S5000603	PLAIN WASHER	13		D10-ZPC3
22	LB138-0013	COVER PLATE	1		
23	LW272-0008	MALE CONNECTOR	1		
24	LB138-0014	PIPE	1		
25	LB138-0016	HOLLOW HEX PLUG	1		
26	LW271-0001	HOSE ADAPTER	1		
27	LB138-0017	ROLLER ASSY	2		
28	LB138-0020	ROLLER PIN	2		
29	S4012743	HEX NUT	4		M12x1.75-Sty.2-ZPC3
30	S0115663	HEX BOLT	4		M12x1.75-L50-FULL-ZPC3
31	LB138-0021	PAD	2		
32	LB138-0022	PAD	2		
33	LB118-0017	PLATE	2		
34	LB118-0018	COVER	2		
35	S4012643	HEX NUT	2		M10x1.5-Sty.2-ZPC3
36	LB138-0023	BOSS	2		
37	S6500500	SNAP RING (C Type)	2		D50
38	LB138-0024	COVER	2		
39	S5000503	PLAIN WASHER	4		D8-ZPC3
40	S5102503	SPRING WASHER	4		D8-ZPC3

Fig.

03.030

FRAME ASSY

HLC-7016L

LB130-0001

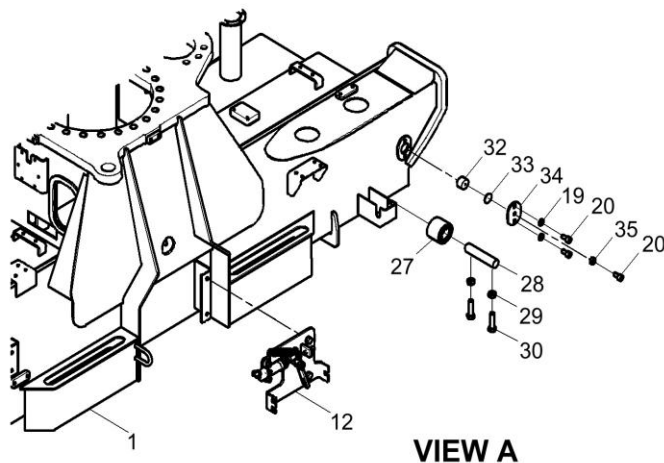
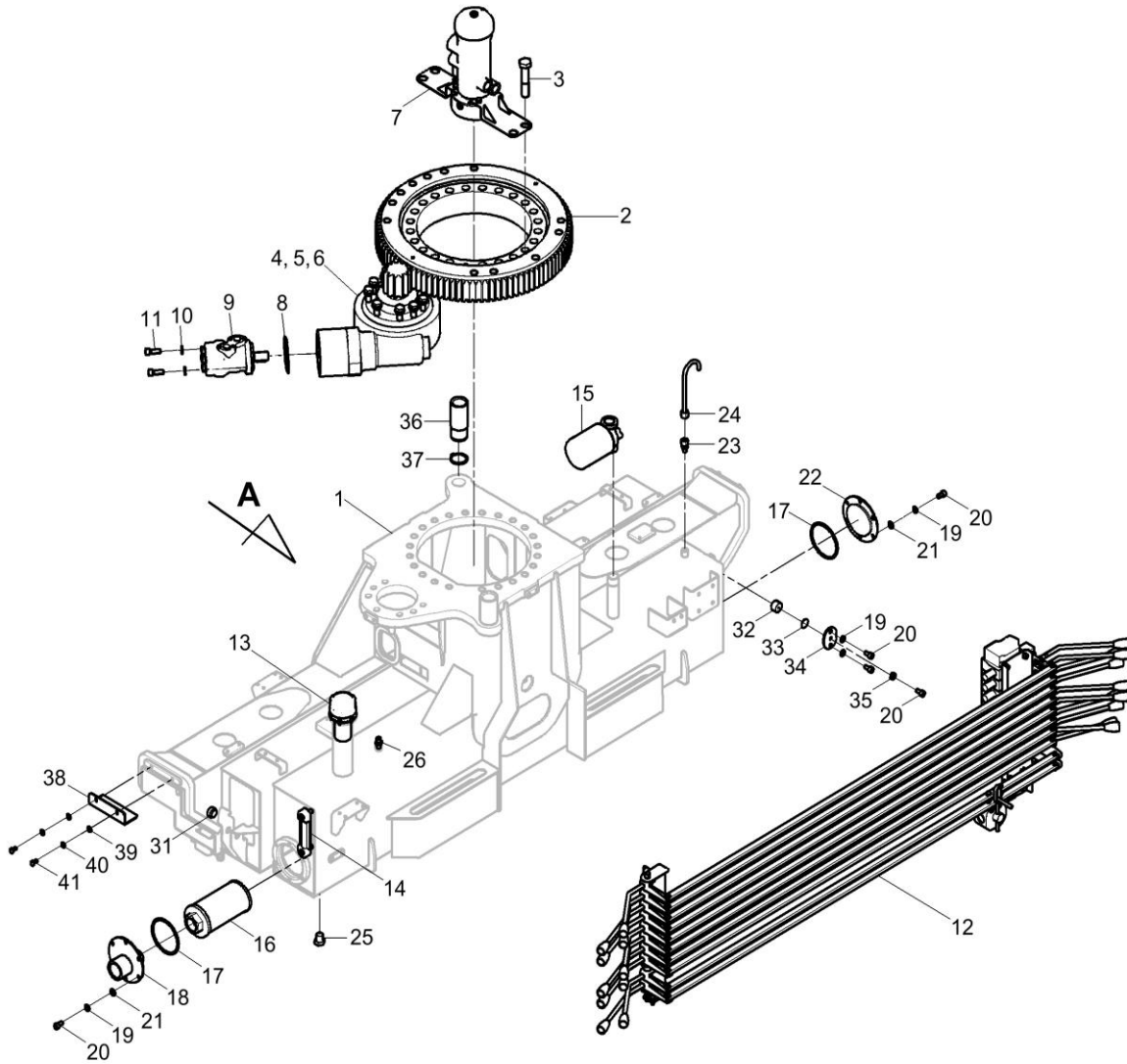


Fig.	03.030	FRAME ASSY
	HLC-7016L	LB130-0001

Item	Part Number	Part Name	Qty	See Fig.	Remarks
41	S0108663	HEX BOLT	4		M8x1.25-L16-FULL-ZPC3
EOL					

Fig. 03.040	OIL TANK BEAM
HLC-7016L	LB131-0006

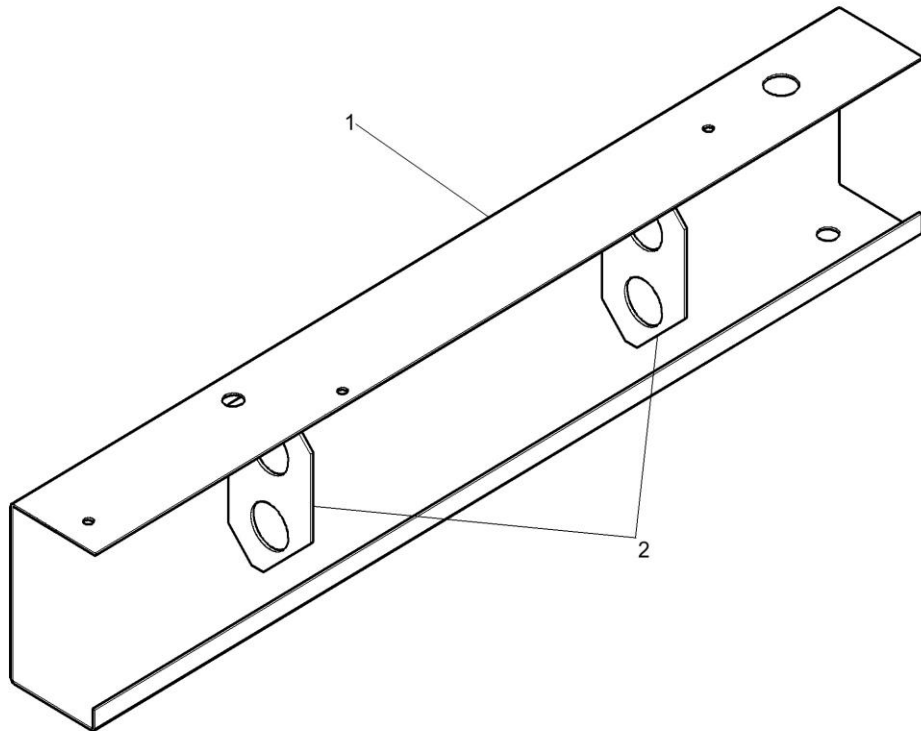


Fig. 03.040	OIL TANK BEAM
HLC-7016L	LB131-0006

Item	Part Number	Part Name	Qty	See Fig.	Remarks
1	LB131-0007	CHANNEL	1		
2	LB131-0008	PLATE	2		
EOL					

Fig. 03.050	OPERATION MTG
HLC-7016L	LB132-0001

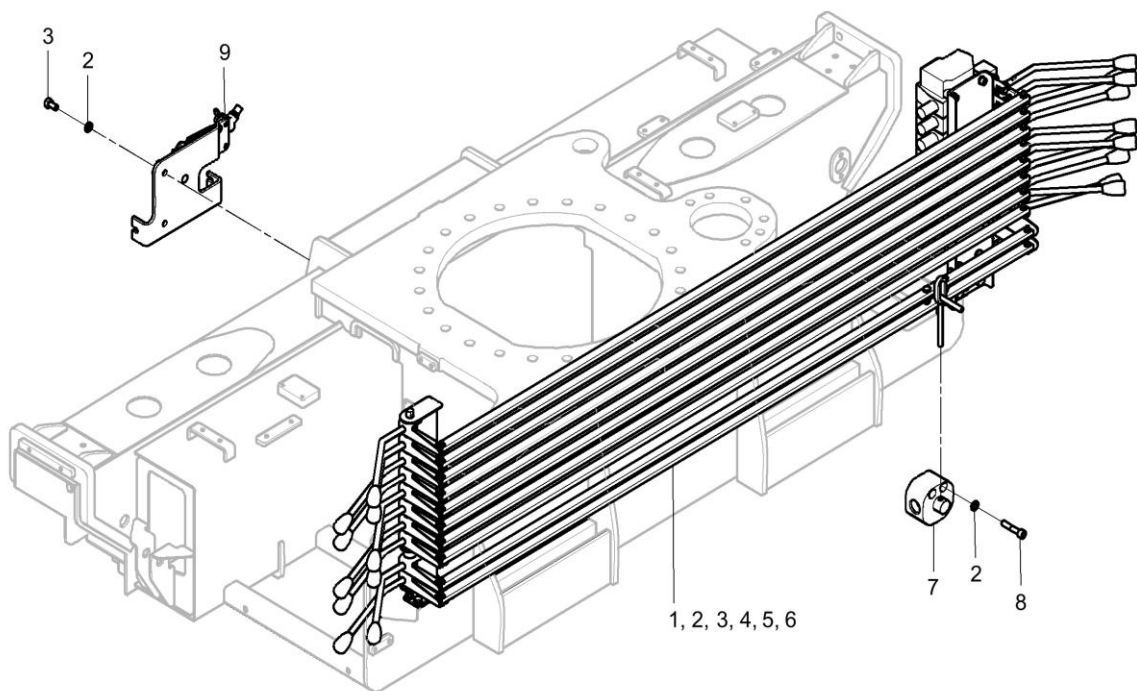


Fig. 03.050	OPERATION MTG
HLC-7016L	LB132-0001

Item	Part Number	Part Name	Qty	See Fig.	Remarks
1	LB132-0002	OPERATION SET	1	03.060	
2	S5102603	SPRING WASHER	8		D10-ZPC3
3	S0111863	HEX BOLT	6		M10x1.5-L20-FULL-ZPC3
4	S5100503	SPRING WASHER	4		D8-ZPC3
5	S5102503	SPRING WASHER	4		D8-ZPC3
6	S0108863	HEX BOLT	4		M8x1.25-L20-FULL-ZPC3
7	LB171-0019	VALVE	1		
8	S2212673	SOCKET BOLT	2		
9	LB133-0001	ACCEL SYSTEM	1	03.070	
10	LB132-0047	ACCEL CABLE ASSY	1		

EOL

Fig. 03.060	OPERATION SET
HLC-7016L	LB132-0002

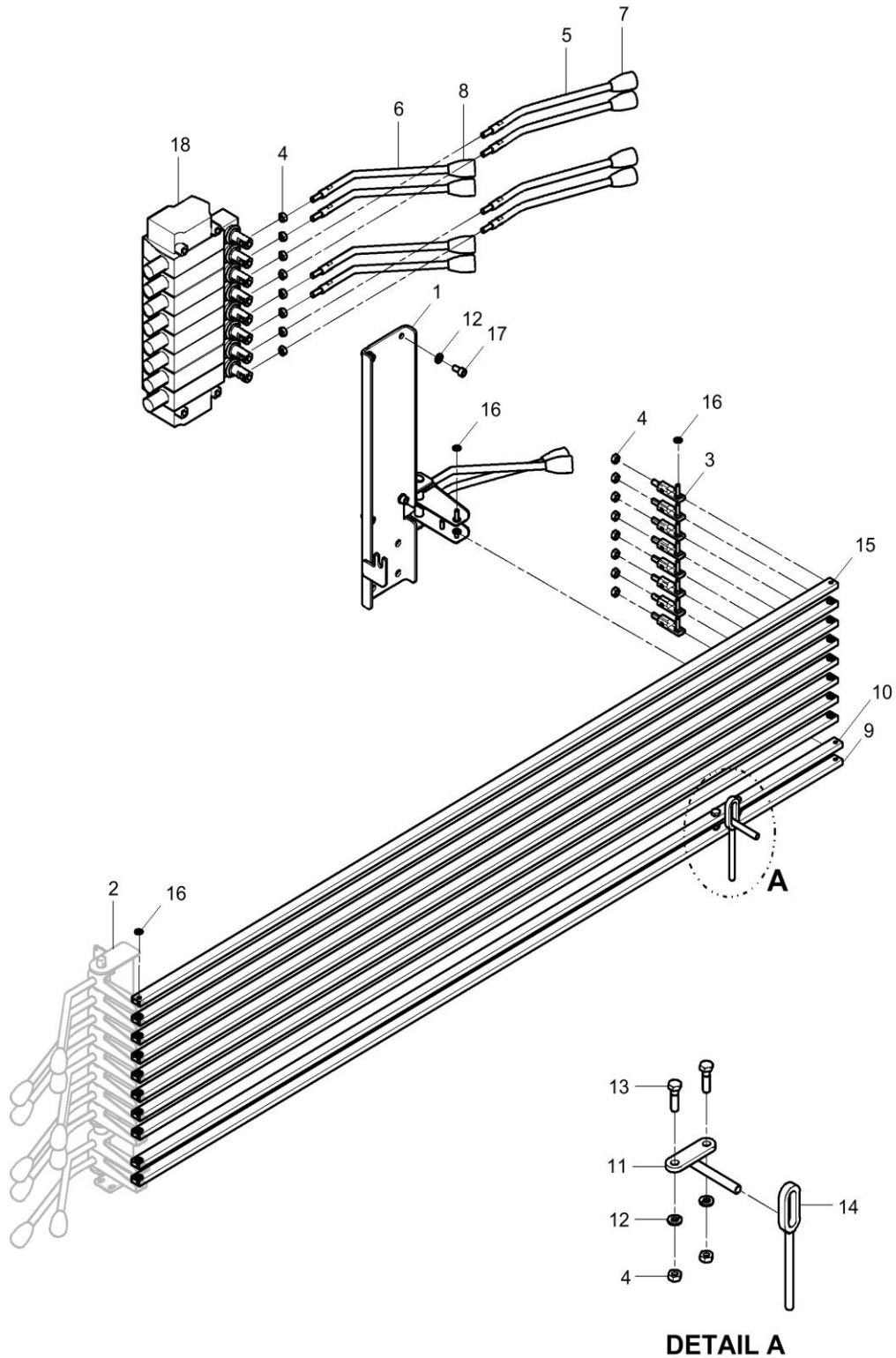
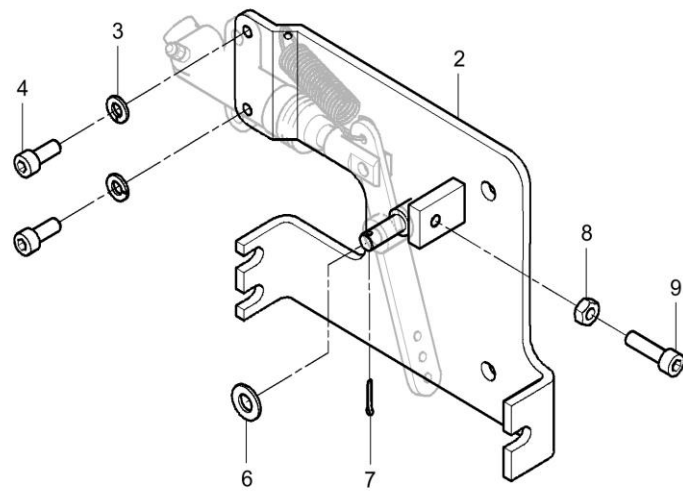
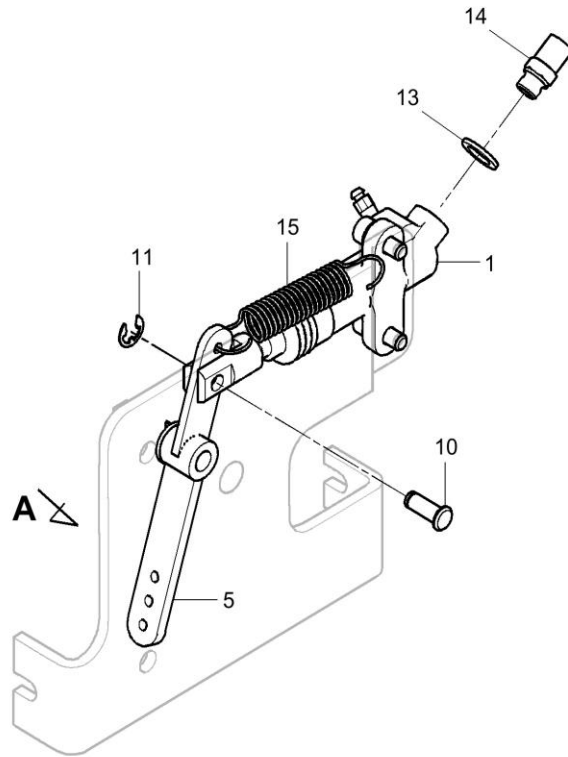


Fig. 03.060	OPERATION SET
HLC-7016L	LB132-0002

Item	Part Number	Part Name	Qty	See Fig.	Remarks
1	LB132-0003	VALVE STAND SET	1		
2	LB132-0020	LEVER STAND SET	1		
3	LB132-0034	CONNECTOR	8		
4	S4012543	HEX NUT	18		M8x1.25-Sty.2-ZPC3
5	LB132-0035	ROUND BAR	4		
6	LB132-0036	ROUND BAR	4		
7	LB132-0018	KNOB	4		
8	LB132-0019	KNOB	4		
9	LB132-0037 A	CONTROL	1		
10	LB132-0038	CONTROL	1		
11	LB132-0039	LINK PIN	1		
12	S5102503	SPRING WASHER	6		D8-ZPC3
13	S0155963	HEX BOLT	2		M8x1.25-L30-ZPC3
14	LB132-0042	DIVERTER LINK	1		
15	LB132-0045	CONTROL	8		
16	LB132-0046	BACK WASHER	20		
17	S2208673	SOCKET BOLT	4		
18	LB171-0018	VALVE	1		

EOL

Fig. 03.070	ACCEL SYSTEM
HLC-7016L	LB133-0001



VIEW A

Fig. 03.070	ACCEL SYSTEM
HLC-7016L	LB133-0001

Item	Part Number	Part Name	Qty	See Fig.	Remarks
1	LB171-0027	RELEASE CYLINDER	1		
2	LB133-0002	ACCEL BRACKET	1		
3	S5100503	SPRING WASHER	2		D8-ZPC3
4	S2308873	SOCKET BOLT	2		
5	LB133-0006	LINK	1		
6	S5000603	PLAIN WASHER	1		D10-ZPC3
7	S5735350	SPLIT PIN	1		
8	S4012543	HEX NUT	1		M8x1.25-Sty.2-ZPC3
9	S2309273	SOCKET BOLT	1		
10	LB133-0010	PIN	1		
11	S6540800	RETAINING RING	1		D16
13	LW2858102	BONDED SEAL	1		
14	LB133-0012	HOSE ADAPTER	1		
15	LB133-0011	SPRING	1		

EOL

Fig. 03.080	ROTARY JOINT ASSY
HLC-7016L	LB138-0001

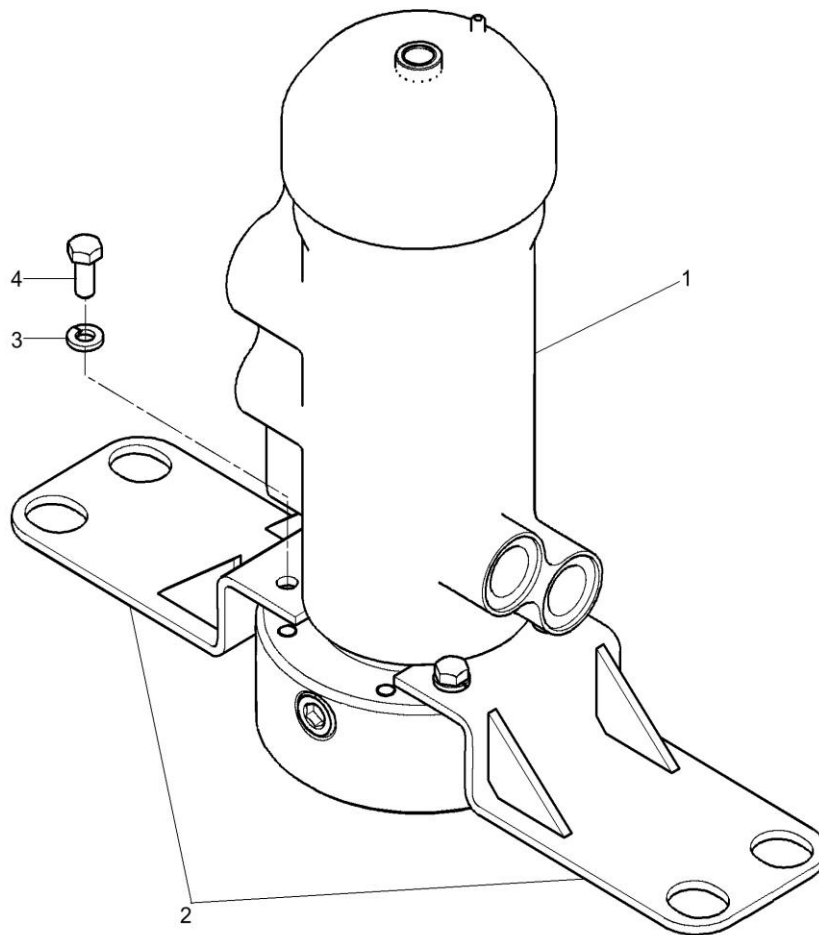


Fig.	03.080	ROTARY JOINT ASSY	
	HLC-7016L	LB138-0001	

Item	Part Number	Part Name	Qty	See Fig.	Remarks
1	LB171-0013	ROTARY JOINT	1		
2	LB138-0002	BRACKET	2		
3	S5102503	SPRING WASHER	4		D8-ZPC3
4	S0108863	HEX BOLT	4		M8x1.25-L20-FULL-ZPC3
EOL					

Fig.

03.090

TOP SEAT ASSY

HLC-7016L

LB122-0001

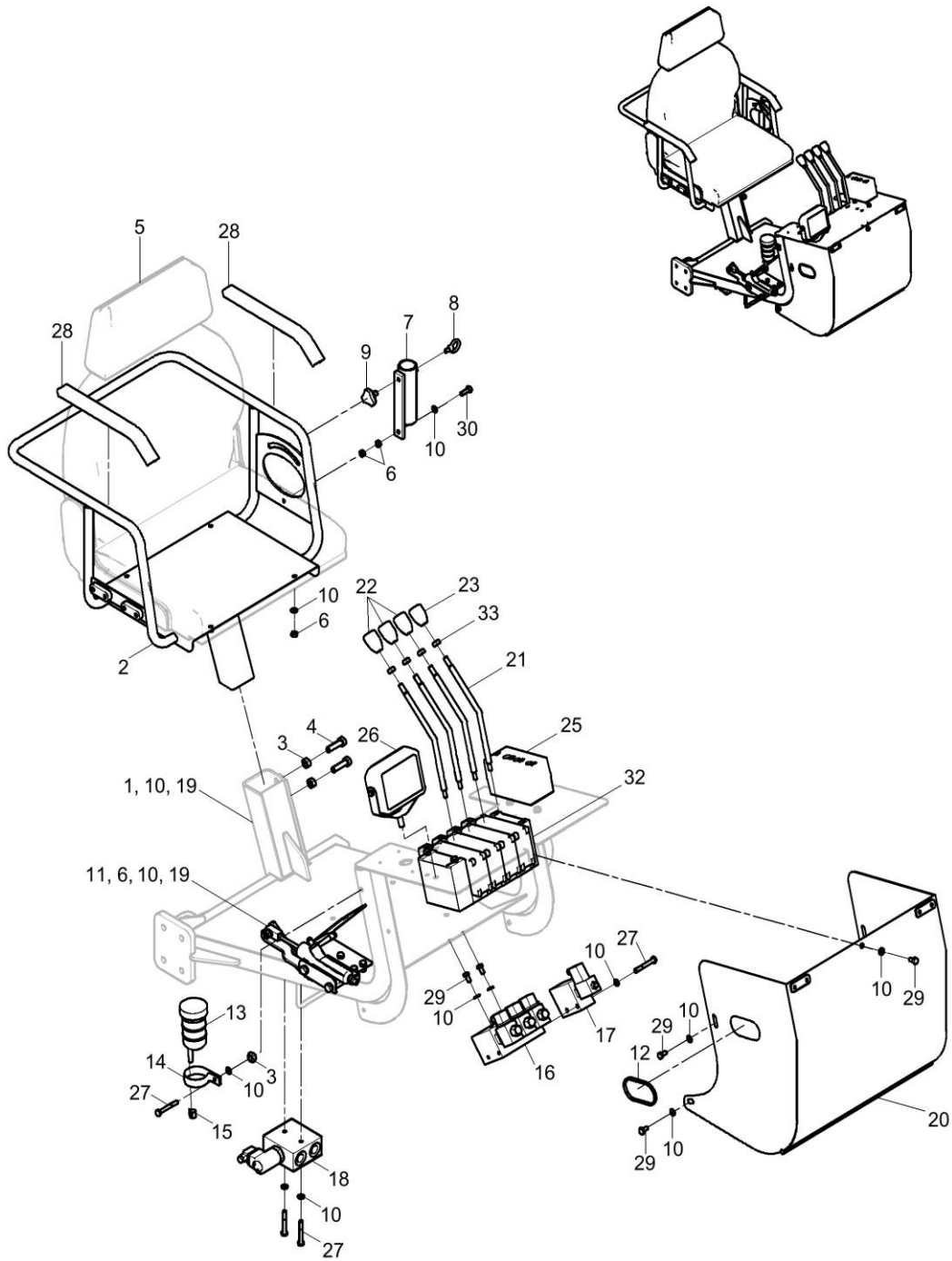


Fig. 03.090	TOP SEAT ASSY
HLC-7016L	LB122-0001

Item	Part Number	Part Name	Qty	See Fig.	Remarks
1	LB123-0001	TOP SEAT STRUCTURE	1		
2	LB123-0023	SEAT STRUCTURE	1		
3	S4012743	HEX NUT	3		M12x1.75-Sty.2-ZPC3
4	S0115563	HEX BOLT	2		M12x1.75-L45-FULL-ZPC3
5	LB122-0002	SEAT	1		
6	S4012543	HEX NUT	9		M8x1.25-Sty.2-ZPC3
7	LB123-0046	HOLDER	1		
8	S3140013	EYE BOLT	1		M8x1.25-L15-ZPC3
9	LB122-0003	BOLT	1		
10	S5100503	SPRING WASHER	24		
11	LB123-0034	ACCEL PEDAL ASSY	1	03.100	
12	LB122-0004	PACKING	2		
13	LB122-0005	OIL TANK	1		
14	LB122-0006	BAND	1		
15	LB122-0007	HOSE CLAMP	1		
16	LB171-0011	VALVE	1		
17	LB171-0012	VALVE	1		
18	LB171-0010	VALVE	1		
19	S0108863	HEX BOLT	7		
20	LB123-0030	TOP SEAT COVER	1		
21	LB122-0009	ROD	4		
22	LB122-0010	KNOB	3		
23	LB122-0011	KNOB	1		
25	LB180-0008	JUNCTION BOX	1		
26	LB180-0009	WORKING LAMP	1		
27	S0156563	HEX BOLT	5		
28	LB122-0012	TOP SEAT ARMREST	2		
29	S0108663	HEX BOLT	7		M8x1.25-L16-FULL-ZPC3
30	S0109063	HEX BOLT	1		
31	LB122-0008	TUBE	1		
32	LB171-0009	MAIN CONTROL VALVE	1		
33	S4012643	HEX NUT	4		M10x1.5-Sty.2-ZPC3

EOL

Fig. 03.100	ACCEL PEDAL ASSY
HLC-7016L	LB123-0034

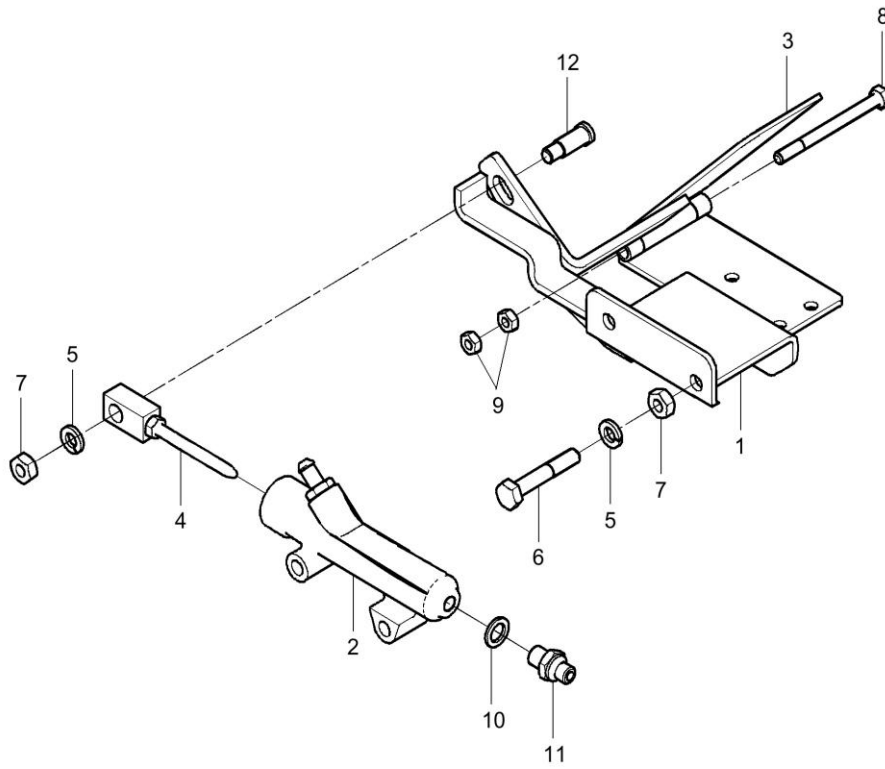


Fig. 03.100	ACCEL PEDAL ASSY
HLC-7016L	LB123-0034

Item	Part Number	Part Name	Qty	See Fig.	Remarks
1	LB123-0035	PEDAL BRACKET	1		
2	LB171-0026	MASTER CYLINDER	1		
3	LB123-0038	PEDAL	1		
4	LB123-0042	LINK ASSY	1		
5	S5102603	SPRING WASHER	3		D10-ZPC3
6	S0158763	HEX BOLT	2		M10x1.5-L60-ZPC3
7	S4012643	HEX NUT	3		M10x1.5-Sty.2-ZPC3
8	S0157253	HEX BOLT	1		
9	S4012543	HEX NUT	2		M8x1.25-Sty.2-ZPC3
10	LW2858102	BONDED SEAL	1		
11	LB123-0045	HOSE ADAPTER	1		
12	LB123-0051	PIN	1		

EOL

Fig.

04.010

DISTRIBUTOR PIPING

HLC-7016L

LB151-0001

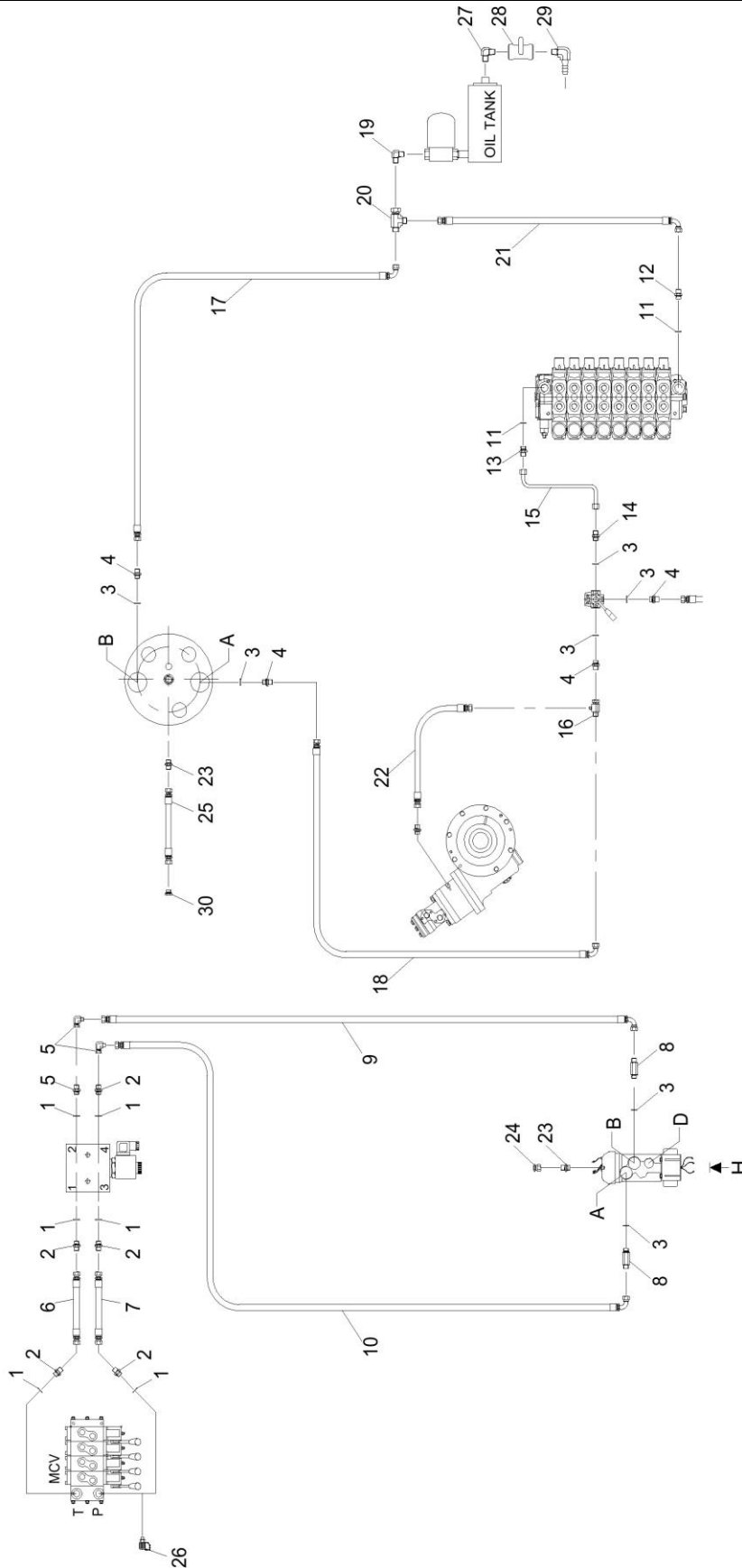


Fig. 04.010	DISTRIBUTOR PIPING
HLC-7016L	LB151-0001

Item	Part Number	Part Name	Qty	See Fig.	Remarks
1	LW285-8105	BONDED SEAL	6		
2	LW271-0610	HOSE ADAPTER	6		
3	S8000241	O-RING	7		
4	LW271-0311	HOSE ADAPTER	4		
5	LW271-3403	HOSE UNION ADAPTER-90	2		
6	LW523-3075	OIL HOSE	1		
7	LW551-3070	OIL HOSE	1		
8	LB151-0003	HOSE ADAPTER	2		
9	LW526-3090	OIL HOSE	1		
10	LW555-3085	OIL HOSE	1		
11	S8000181	O-RING	2		
12	LW271-0308	HOSE ADAPTER	1		
13	LW272-0118	MALE CONNECTOR	1		
14	LW272-0132	MALE CONNECTOR	1		
15	LB151-0002	PIPE	1		
16	LW271-5105	HOSE UNION TEE	1		
17	LW523-3085	OIL HOSE	1		
18	LW555-3110	OIL HOSE	1		
19	LW271-2231	HOSE ADAPTER-90	1		
20	LW271-5106	HOSE UNION TEE	1		
21	LW526-2040	OIL HOSE	1		
22	LW551-0145	OIL HOSE	1		
23	LW271-0001	HOSE ADAPTER	2		
24	LW271-5000	UNION CAP	1		
25	LW551-0110	OIL HOSE	1		
26	LB151-0004	COUPLING	1		
27	LW270-0331	NIPPLE-90	1		
28	LB138-0025	STOP VALVE	1		
29	LB151-0005	MALE HOSE NIPPLE-90	1		
30	LW270-2191	PLUG	1		

EOL

Fig. 04.020	WINCH PIPING
HLC-7016L	LB152-0001

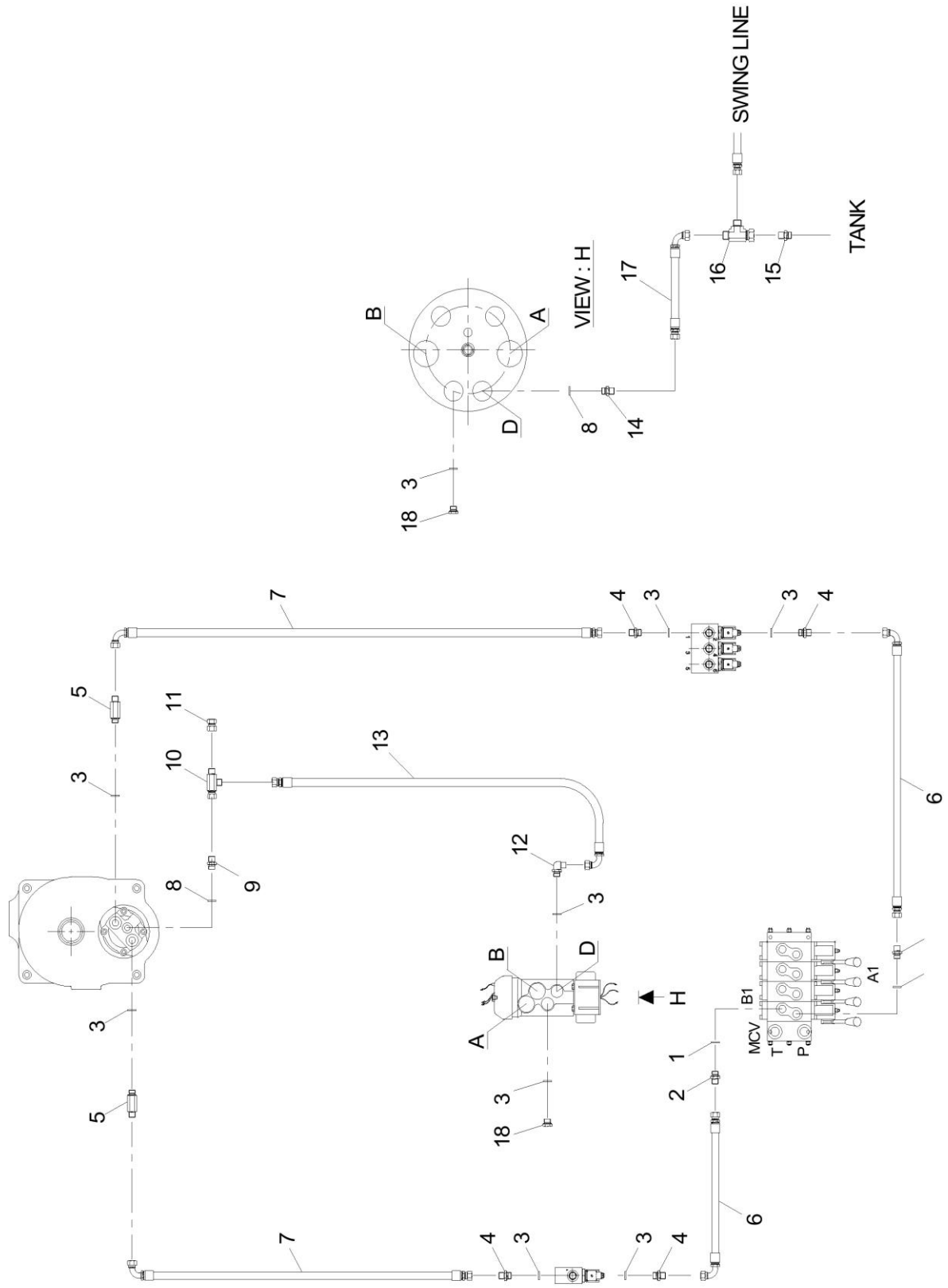


Fig. 04.020	WINCH PIPING
HLC-7016L	LB152-0001

Item	Part Number	Part Name	Qty	See Fig.	Remarks
1	LW285-8104	BONDED SEAL	2		
2	LW271-0605	HOSE ADAPTER	2		
3	S8000181	O-RING	9		
4	LW271-0306	HOSE ADAPTER	4		
5	LW152-0002	HOSE ADAPTER	2		
6	LW526-1050	OIL HOSE	2		
7	LW555-1095	OIL HOSE	2		
8	S8000141	O-RING	2		
9	LW271-0305	HOSE ADAPTER	1		
10	LW271-5103	HOSE UNION TEE	1		
11	LW271-5001	UNION CAP	1		
12	LW271-3104	HOSE LOCK ADAPTER-90	1		
13	LW526-1055	OIL HOSE	1		
14	LW271-0302	HOSE ADAPTER	1		
15	LW271-0001	HOSE ADAPTER	1		
16	LW271-5100	HOSE UNION TEE	1		
17	LW526-0100	OIL HOSE	1		
18	LW270-2193	PLUG	2		

EOL

Fig. 04.030	TELESCOPIC PIPING
HLC-7016L	LB153-0001

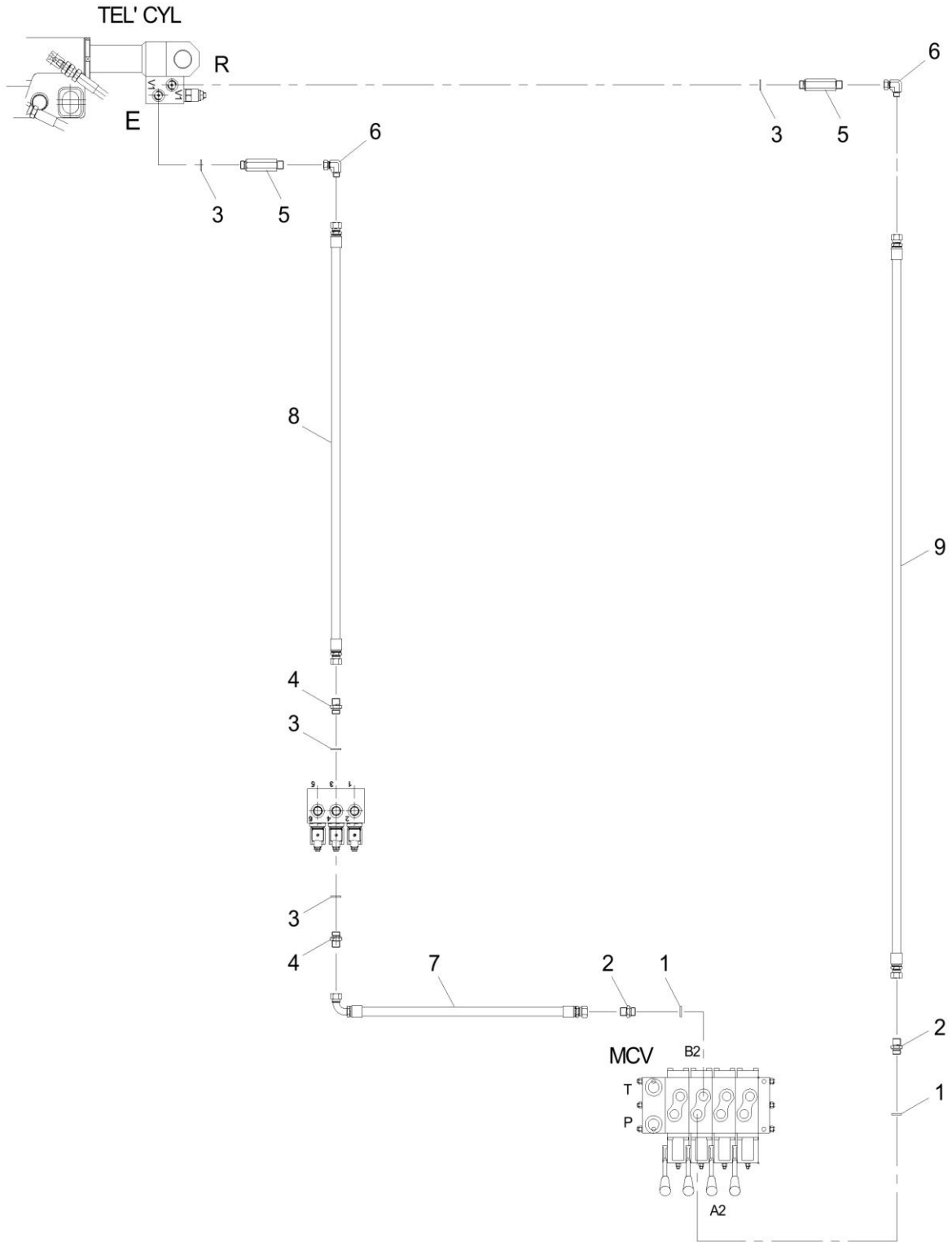


Fig. 04.030	TELESCOPIC PIPING
HLC-7016L	LB153-0001

Item	Part Number	Part Name	Qty	See Fig.	Remarks
1	LW285-8104	BONDED SEAL	2		
2	LW271-0605	HOSE ADAPTER	2		
3	S8000181	O-RING	4		
4	LW271-0306	HOSE ADAPTER	2		
5	LB153-0002	HOSE ADAPTER	2		
6	LW271-3401	HOSE UNION ADAPTER-90	2		
7	LW555-1050	HOSE	1		
8	LW551-1155	OIL HOSE	1		
9	LW551-1180	OIL HOSE	1		

EOL

Fig. 04.040	DERRICK PIPING
HLC-7016L	LB154-0001

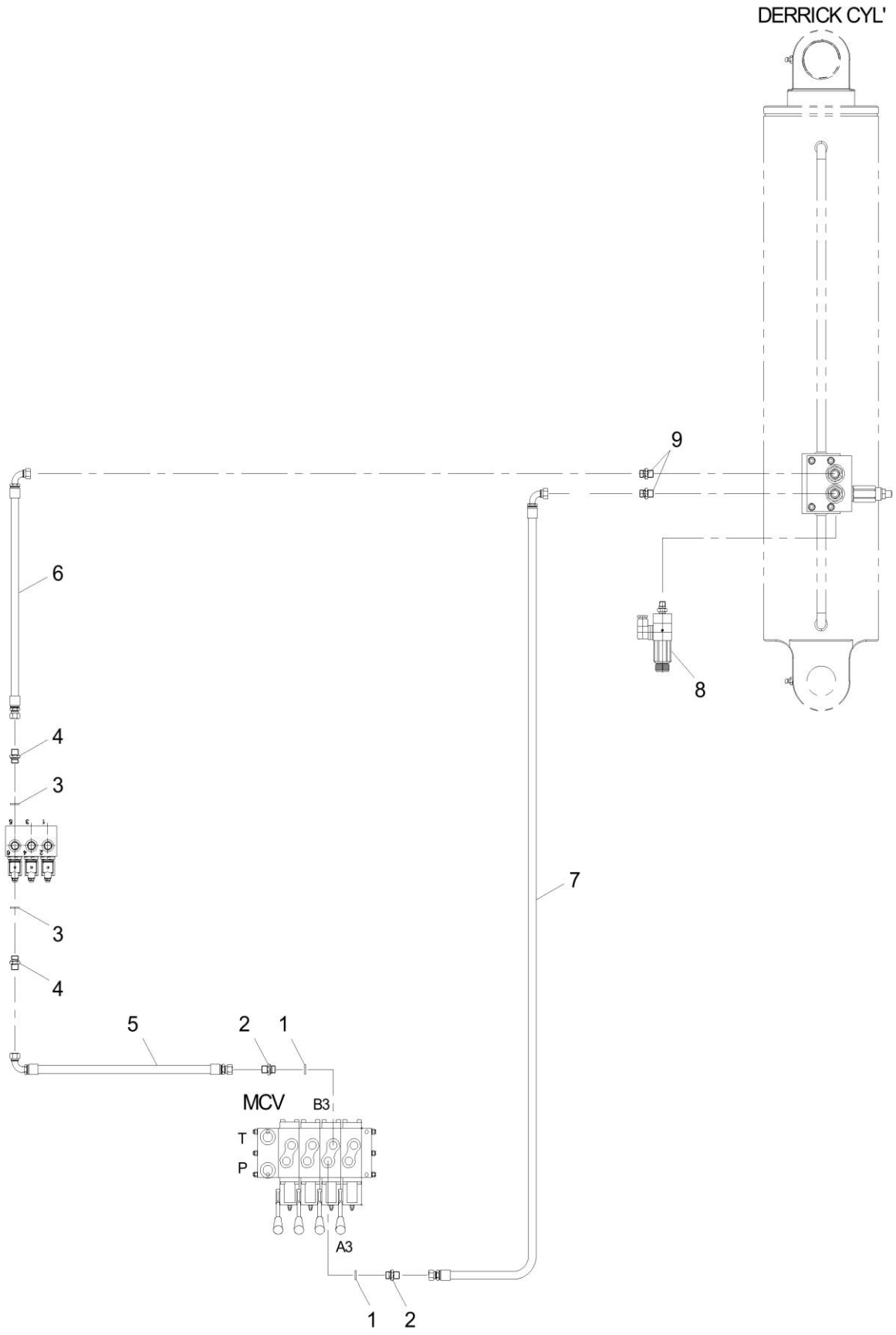


Fig. 04.040	DERRICK PIPING
HLC-7016L	LB154-0001

Item	Part Number	Part Name	Qty	See Fig.	Remarks
1	LW285-8104	BONDED SEAL	2		
2	LW271-0605	HOSE ADAPTER	2		
3	S8000181	O-RING	2		
4	LW271-0306	HOSE ADAPTER	2		
5	LW526-1050	OIL HOSE	1		
6	LW616-1205	OIL HOSE	1		
7	LW616-1230	OIL HOSE	1		
8	LB171-0008	PRESSURE SWITCH	1		
9	LW271-0305	HOSE ADAPTER	2		
EOL					

<p>Fig. 04.050</p>	<p>SWING PIPING</p>
<p>HLC-7016L</p>	<p>LB155-0001</p>

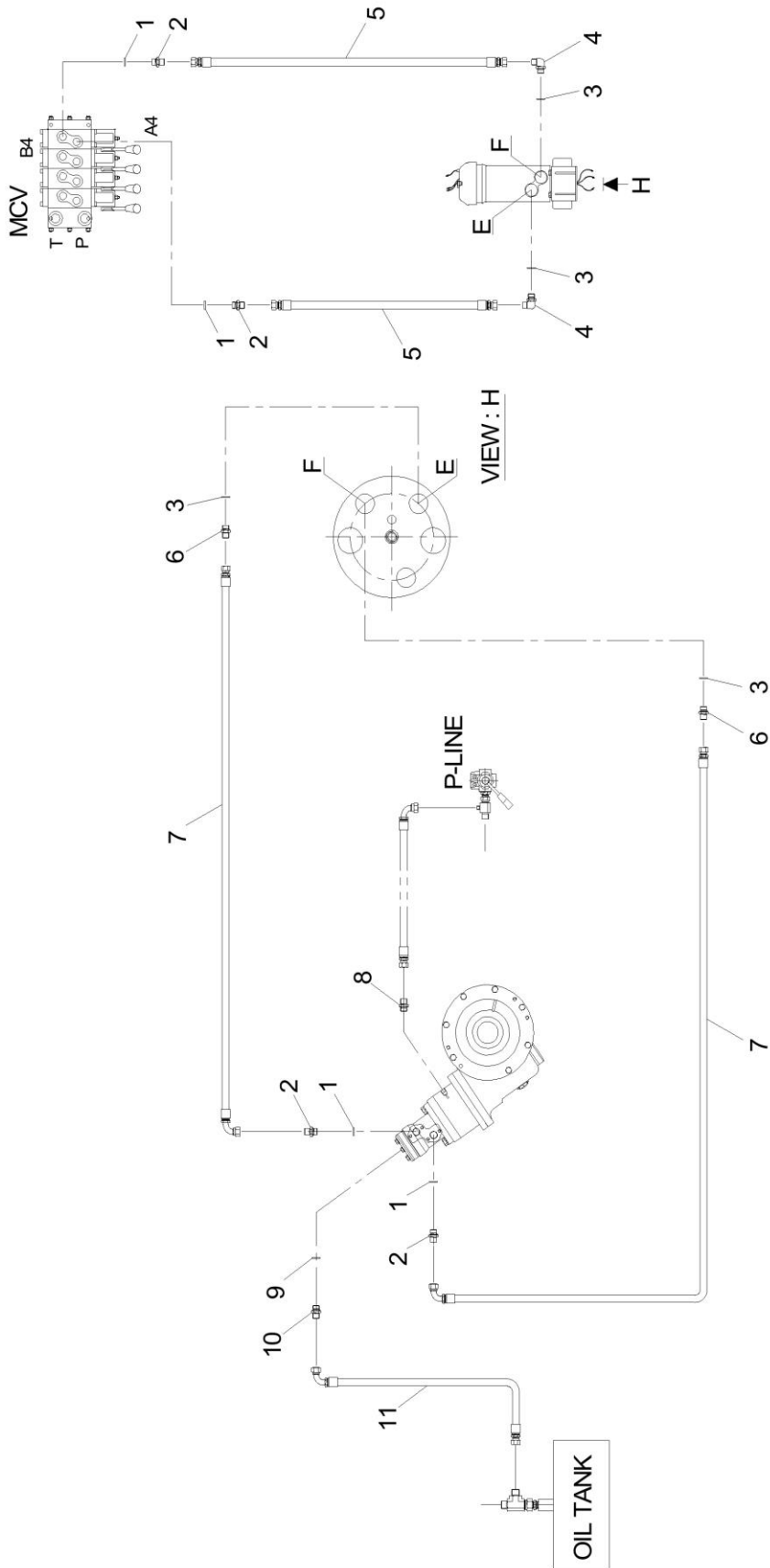


Fig. 04.050	SWING PIPING
HLC-7016L	LB155-0001

Item	Part Number	Part Name	Qty	See Fig.	Remarks
1	LW285-8104	BONDED SEAL	4		
2	LW271-0605	HOSE ADAPTER	4		
3	S8000181	O-RING	4		
4	LW271-3104	HOSE LOCK ADAPTER-90	2		
5	LW614-1185	OIL HOSE	2		
6	LW271-0306	HOSE ADAPTER	2		
7	LW555-1095	OIL HOSE	2		
8	LW271-0001	HOSE ADAPTER	1		
9	LW285-8102	BONDED SEAL	1		
10	LW271-0600	HOSE ADAPTER	1		
11	LW526-0060	OIL HOSE	1		

EOL

Fig.

04.060

OUTRIGGER PIPING

HLC-7016L

LB156-0001

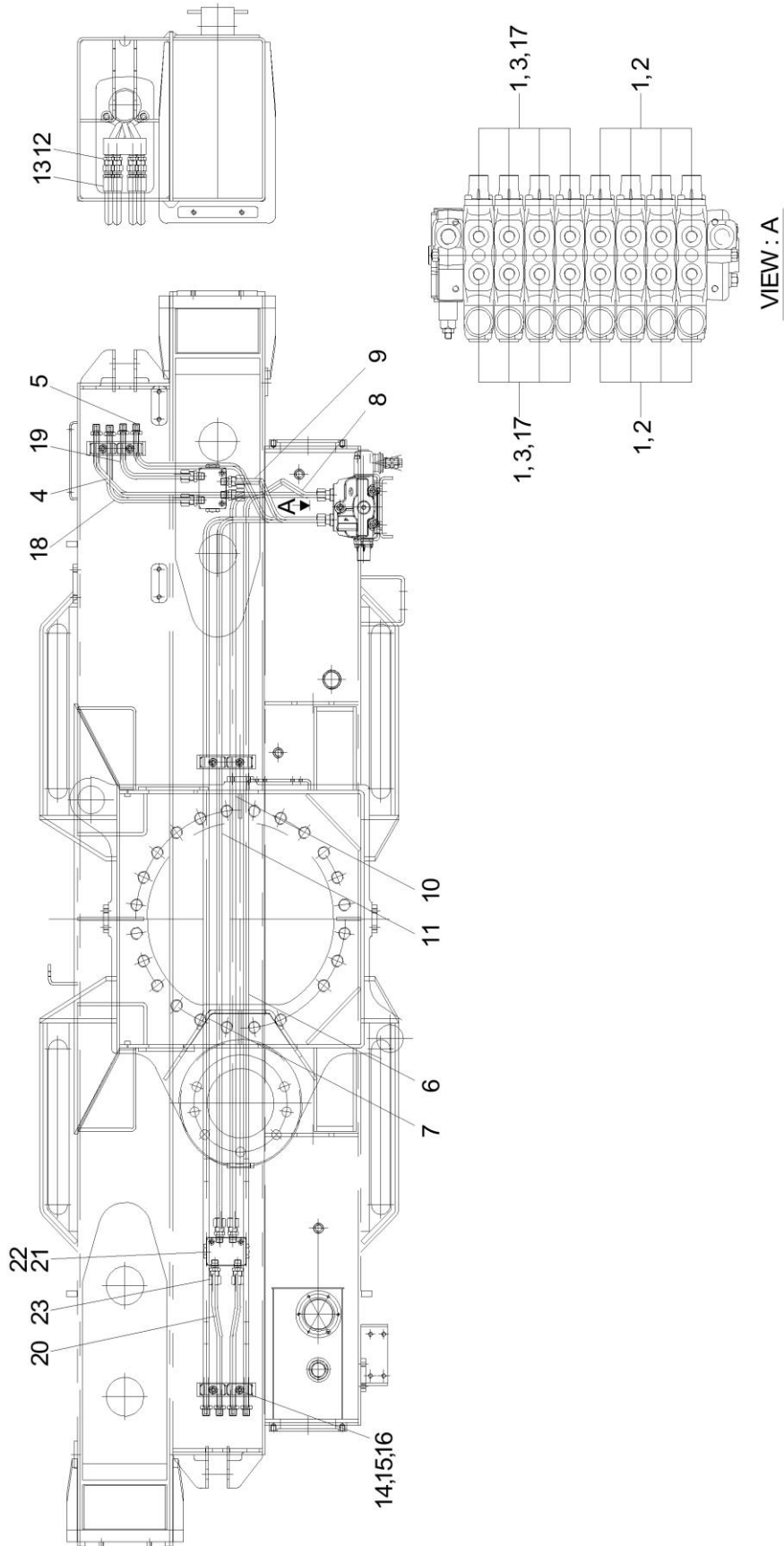


Fig. 04.060	OUTRIGGER PIPING
HLC-7016L	LB156-0001

Item	Part Number	Part Name	Qty	See Fig.	Remarks
1	S8000141	O-RING	16		
2	LW272-0109	MALE CONNECTOR	8		
3	LW271-0301	HOSE ADAPTER	8		
4	LB156-0002	PIPE	1		
5	LB156-0007	PIPE	1		
6	LB156-0009	PIPE	1		
7	LB156-0011	PIPE	1		
8	LB156-0013	PIPE	1		
9	LB156-0015	PIPE	1		
10	LB156-0017	PIPE	1		
11	LB156-0019	PIPE	1		
12	LW271-0001	HOSE ADAPTER	8		
13	LW551-0030	OIL HOSE	8		
14	LB168-0017	COVER	6		
15	S5102503	SPRING WASHER	6		D8-ZPC3
16	S0155763	HEX BOLT	6		M8x1.25-L25-ZPC3
17	LW555-0160	OIL HOSE	8		
18	LB156-0021	PIPE	1		
19	LB156-0023	PIPE	1		
20	LB156-0025	PIPE	2		
21	LB171-0029	PILOT CHECK VALVE	2		
22	S2205473	SOCKET BOLT	4		
23	LW272-0008	MALE CONNECTOR	8		
EOL					

Fig. 05.010	MAIN OUTRIGGER ASSY
HLC-7016L	LB140-0001

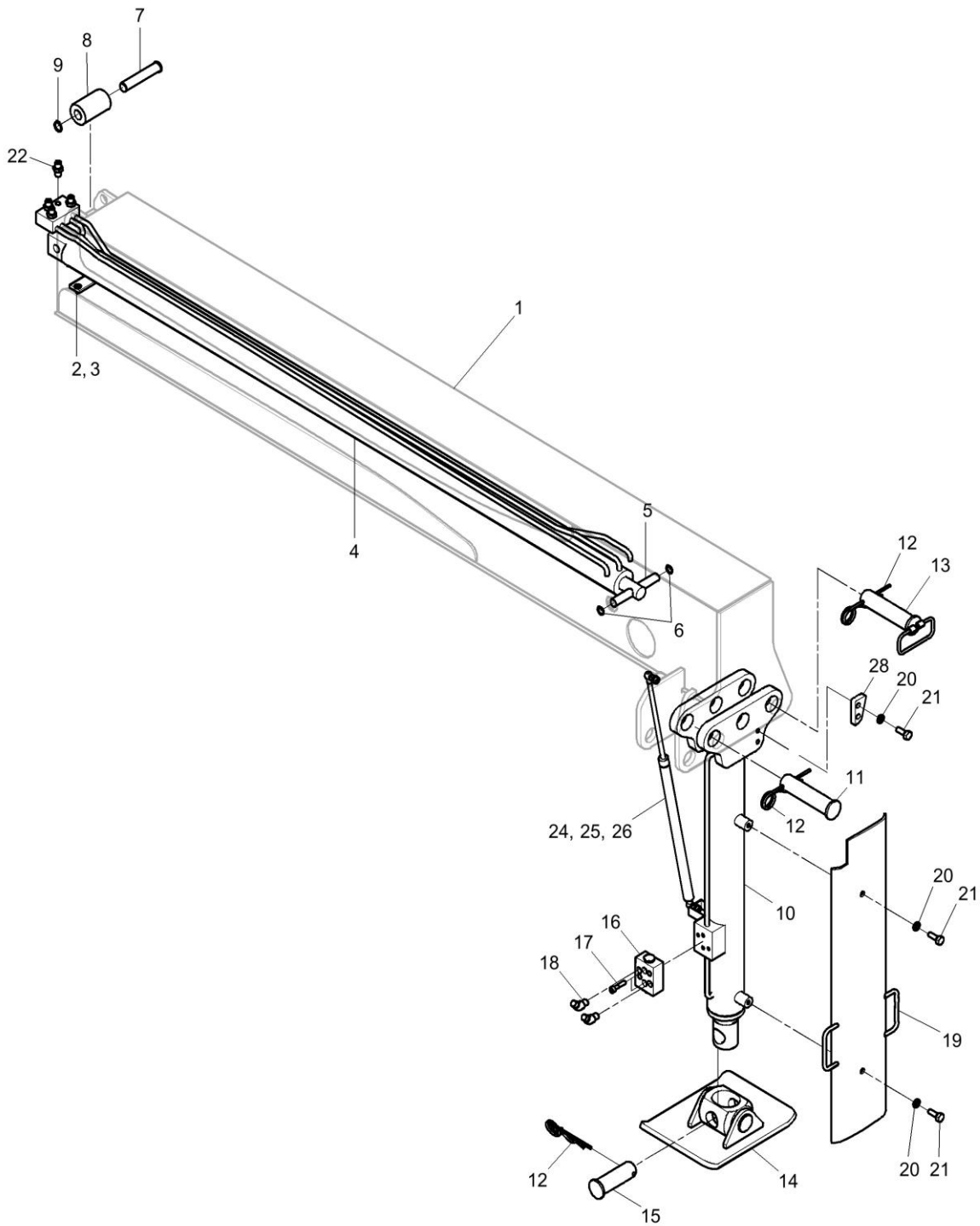


Fig. 05.010	MAIN OUTRIGGER ASSY
HLC-7016L	LB140-0001

Item	Part Number	Part Name	Qty	See Fig.	Remarks
1	LB141-0001	OUTRIGGER STRUCTURE	1		
2	LB148-0001	SLIDE PLATE	1		
3	S3453098	FLAT HEAD SCREW	2		
4	LB171-0020	MAIN SIDE SHIFT CYLINDER	1		
5	LB148-0002	PIN	1		
6	S6510180	SNAP RING	2		
7	LB148-0003	PIN	1		
8	LB148-0004	ROLLER	1		
9	S6500200	SNAP RING (C Type)	1		D20
10	LB171-0021	MAIN JACK CYLINDER	1		
11	LB148-0005	PIN	1		
12	HT7170053	R-PIN	3		D5xL145-ZPC3
13	LB148-0006	PIN	1		
14	LB141-0020	OUTRIGGER SHOE	1		
15	LB148-0009	PIN	1		
16	LB171-0022	PILOT CHECK VALVE	1		
17	S2209373	SOCKET BOLT	2		
18	LW271-1600	HOSE ADAPTER	2		
19	LB148-0010	COVER	1		
20	S5102603	SPRING WASHER	4		D10-ZPC3
21	S0158163	HEX BOLT	4		M10x1.5-L30-ZPC3
22	LW271-0001	HOSE ADAPTER	4		
23	LW551-4080	OIL HOSE	2		
24	LB148-0013	GAS SPRING	1		
25	S5102503	SPRING WASHER	2		D8-ZPC3
26	S4012543	HEX NUT	2		M8x1.25-Sty.2-ZPC3
27	LB148-0025	HOSE COVER	1		
28	LB148-0024	PLATE	1		
29	LB148-0026	CORRUGATE TUBE	1		
30	LB148-0027	RUBBER CAP	1		

EOL

Fig. 06.010	REAR OUTRIGGER ASSY
HLC-7016L	LB140-0002

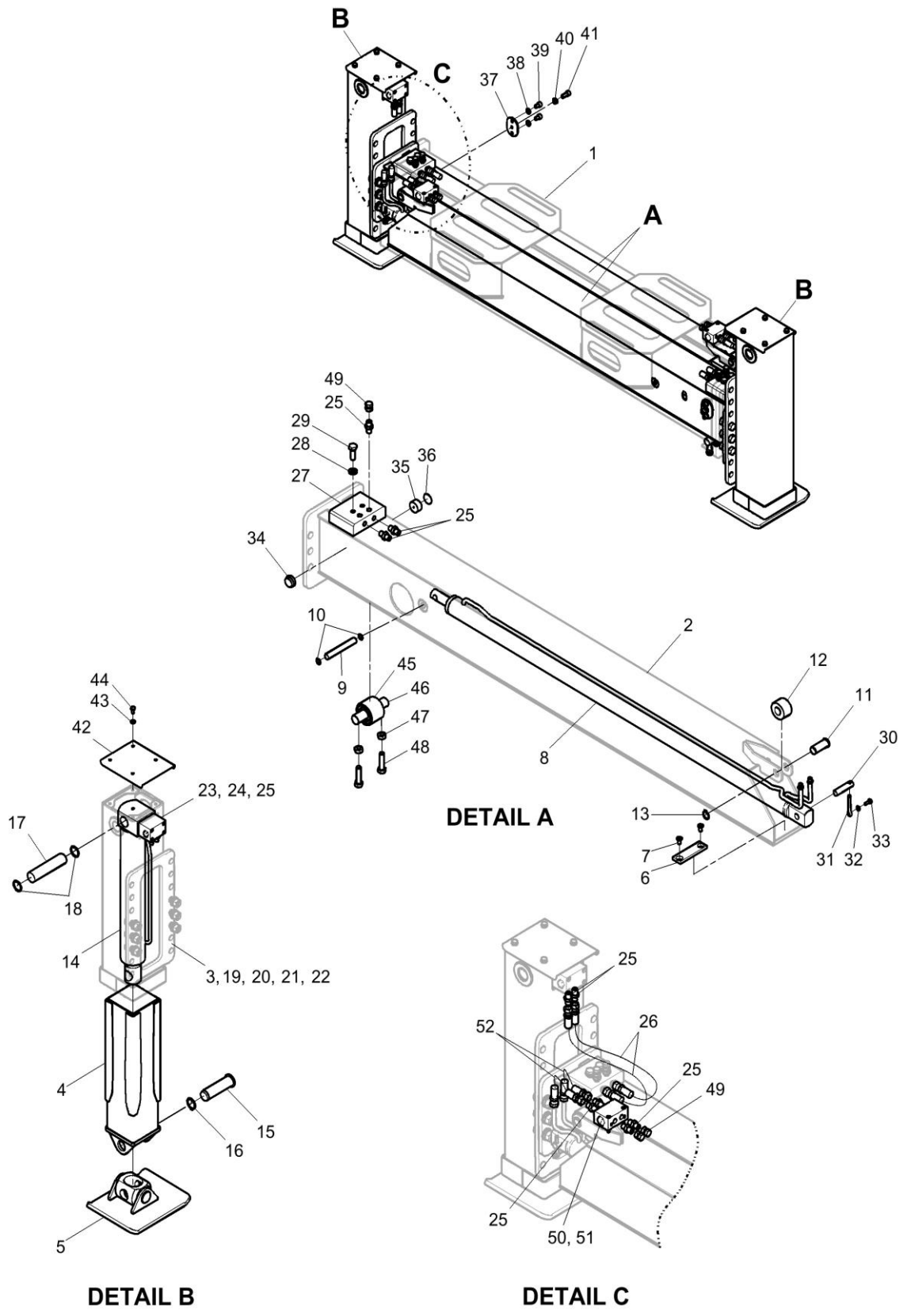


Fig. 06.010	REAR OUTRIGGER ASSY
HLC-7016L	LB140-0002

Item	Part Number	Part Name	Qty	See Fig.	Remarks
1	LB142-0001	REAR OUTRIGGER FRAME	1		
2	LB142-0015	REAR OUTRIGGER BEAM	2		
3	LB142-0030	REAR OUTRIGGER LEG	2		
4	LB142-0040	REAR OUTRIGGER INNER	2		
5	LB141-0020	OUTRIGGER SHOE	2		
6	LB148-0001	SLIDE PLATE	2		
7	S3453098	FLAT HEAD SCREW	4		
8	LB171-0023	REAR SIDE SHIFT CYLINDER	2		
9	LB148-0014	PIN	2		
10	S6510150	SNAP RING	4		
11	LB148-0015	PIN	2		
12	LB148-0016	ROLLER	2		
13	S6500200	SNAP RING (C Type)	2		D20
14	LB171-0024	JACK CYLINDER	2		
15	LB148-0017	PIN	2		
16	S6500350	SNAP RING (C Type)	2		D35
17	LB148-0018	PIN	2		
18	S6510350	SNAP RING	4		
19	S0165263	HEX BOLT	12		M16x2-L50-ZPC3
20	S5000913	PLAIN WASHER	12		
21	S5102903	SPRING WASHER	12		D16-ZPC3
22	S4012943	HEX NUT	12		M16x2-Sty.2-ZPC3
23	LB171-0025	PILOT CHECK VALVE	2		
24	S2209873	SOCKET BOLT	8		
25	LW271-0001	HOSE ADAPTER	20		
26	LW551-3700	OIL HOSE	4		
27	LB148-0019	BLOCK	2		
28	S5102703	SPRING WASHER	4		D12-ZPC3
29	S0160463	HEX BOLT	4		M12x1.75-L35-ZPC3
30	LB148-0020	PIN	2		
31	S5736031	SPLIT PIN	2		D8-L45-ZPC3
32	S5102303	SPRING WASHER	2		D6-ZPC3
33	S2204673	SOCKET BOLT	2		
34	LB148-0021	SLIDE PLATE	2		
35	LB148-0022	SLIDE PLATE	2		
36	LB118-0017	PLATE	2		
37	LB118-0018	COVER	2		
38	S5102603	SPRING WASHER	4		D10-ZPC3
39	S2211673	SOCKET BOLT	4		
40	S4012643	HEX NUT	2		M10x1.5-Sty.2-ZPC3

Fig. 06.010	REAR OUTRIGGER ASSY
HLC-7016L	LB140-0002

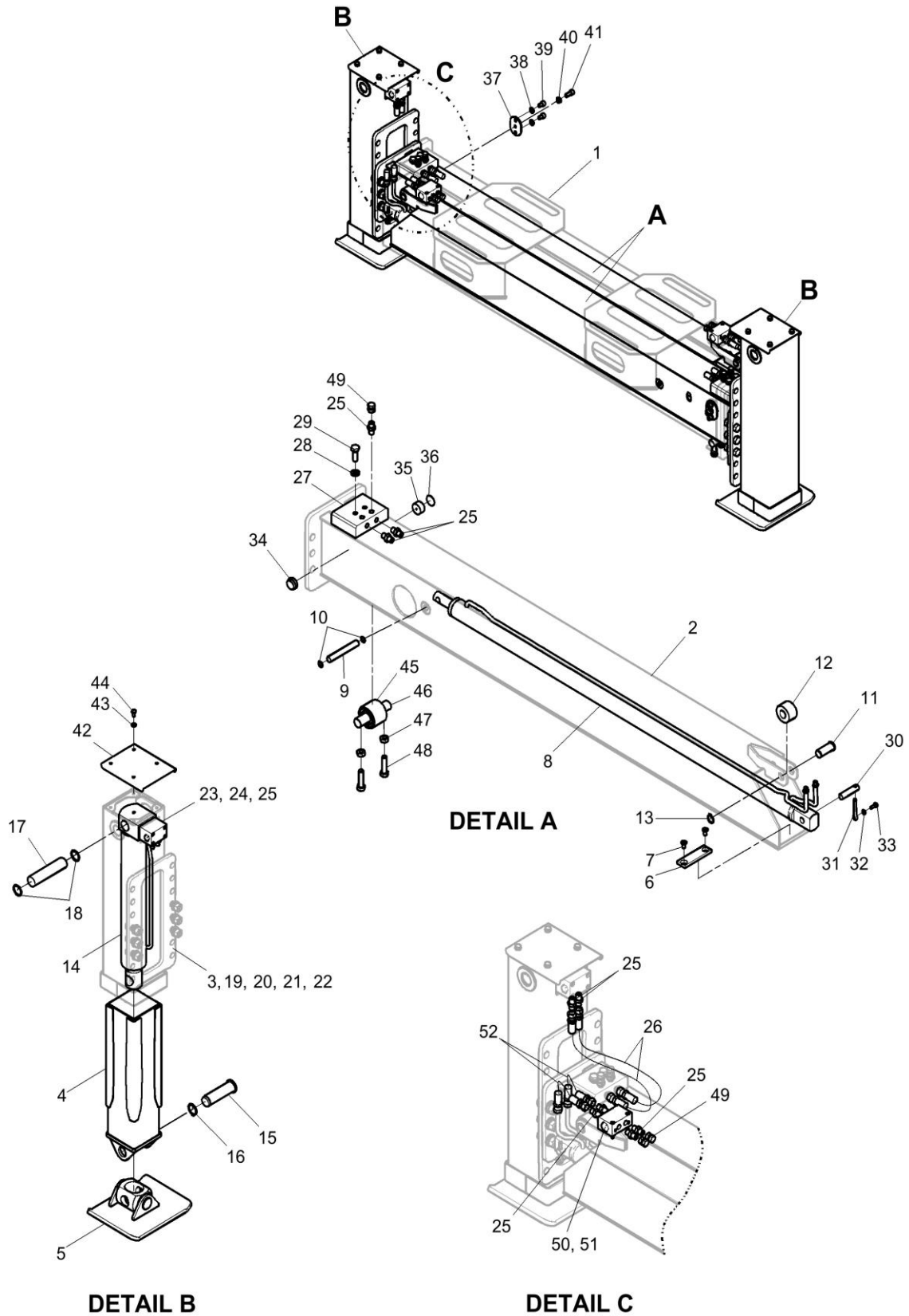


Fig. 06.010	REAR OUTRIGGER ASSY
HLC-7016L	LB140-0002

Item	Part Number	Part Name	Qty	See Fig.	Remarks
41	S2212073	SOCKET BOLT	2		
42	LB148-0023	COVER	2		
43	S5102503	SPRING WASHER	8		D8-ZPC3
44	S0108663	HEX BOLT	8		M8x1.25-L16-FULL-ZPC3
45	LB138-0017	ROLLER ASSY	2		
46	LB138-0020	ROLLER PIN	2		
47	S4012743	HEX NUT	4		M12x1.75-Sty.2-ZPC3
48	S0115663	HEX BOLT	4		M12x1.75-L50-FULL-ZPC3
49	LW271-5000	UNION CAP	8		
50	LB171-0029	PILOT CHECK VALVE	2		
51	S2205473	SOCKET BOLT	4		
52	LW551-0030	OIL HOSE	4		

EOL

Fig. 07.010	LADDER ASSY
HLC-7016L	LB166-0001

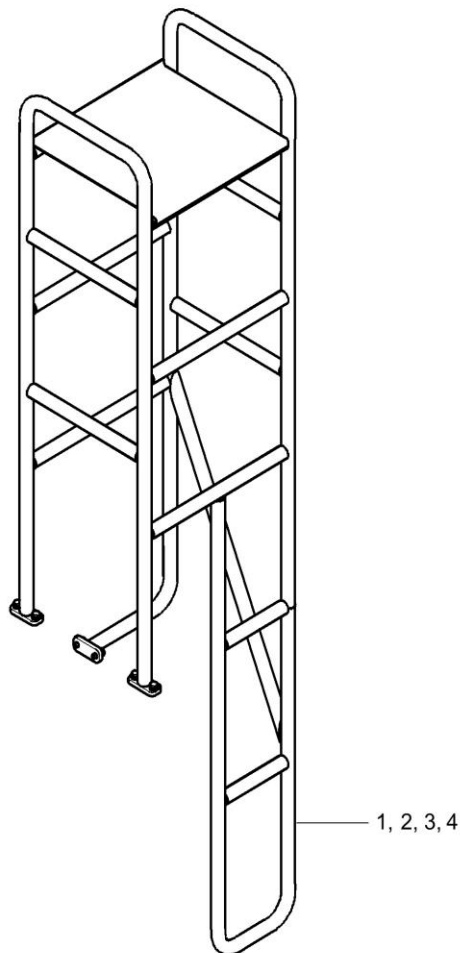


Fig. 07.010	LADDER ASSY
HLC-7016L	LB166-0001

Item	Part Number	Part Name	Qty	See Fig.	Remarks
1	LB166-0002	LADDER	1		
2	S5000503	PLAIN WASHER	6		D8-ZPC3
3	S5102503	SPRING WASHER	6		D8-ZPC3
4	S0108863	HEX BOLT	6		M8x1.25-L20-FULL-ZPC3
EOL					

Fig. 08.010	WIRE SAFETY DEVICE
HLC-7016L	LB124-0001

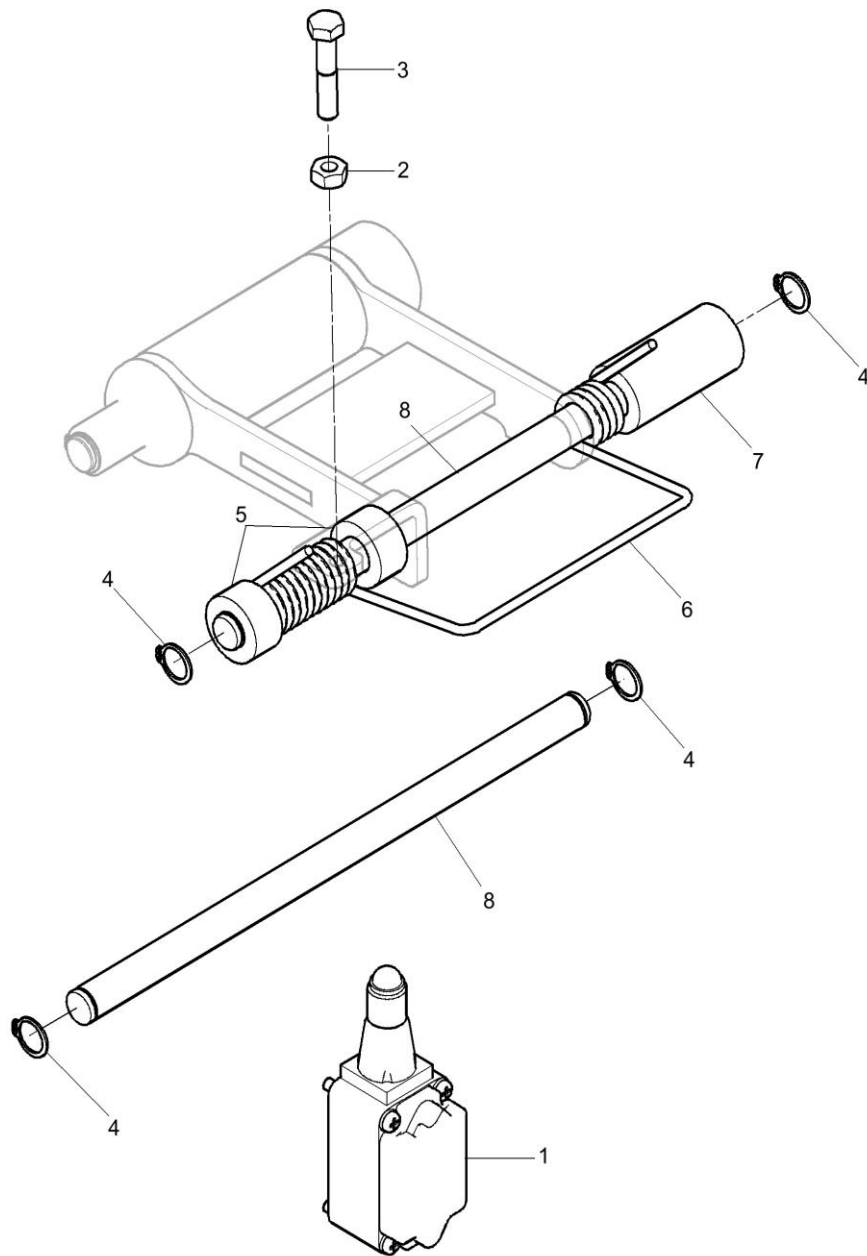


Fig. 08.010	WIRE SAFETY DEVICE
HLC-7016L	LB124-0001

Item	Part Number	Part Name	Qty	See Fig.	Remarks
1	LB180-0001	LIMIT SWITCH	1		
2	S4012543	HEX NUT	1		M8x1.25-Sty.2-ZPC3
3	S0156163	HEX BOLT	1		M8x1.25-L40-ZPC3
4	S6500150	SNAP RING (C Type)	4		D15
5	LB124-0017	SPACER	2		
6	LB124-0016	SPRING	1		
7	LB124-0015	SPACER	1		
8	LB124-0014	PIN	2		
9	LB124-0002	WIRE CLAMP SET	1	08.020	
EOL					

Fig. 08.020	WIRE CLAMP SET
HLC-7016L	LB124-0002

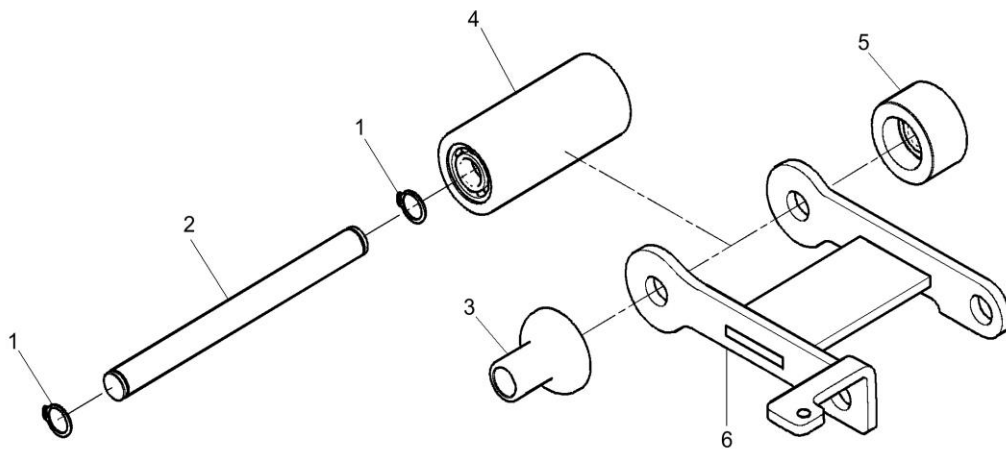


Fig.	08.020	WIRE CLAMP SET
	HLC-7016L	LB124-0002

Item	Part Number	Part Name	Qty	See Fig.	Remarks
1	S6500150	SNAP RING (C Type)	2		D15
2	LB124-0013	PIN	1		
3	LB124-0011	ROLLER ASSY	1		
4	LB124-0009	ROLLER ASSY	1		
5	LB124-0007	ROLLER ASSY	1		
6	LB124-0003	WIRE CLAMP	1		

EOL

Fig. 09.010	THERMOSTAT SYSTEM
HLC-7016L	LB134-0001

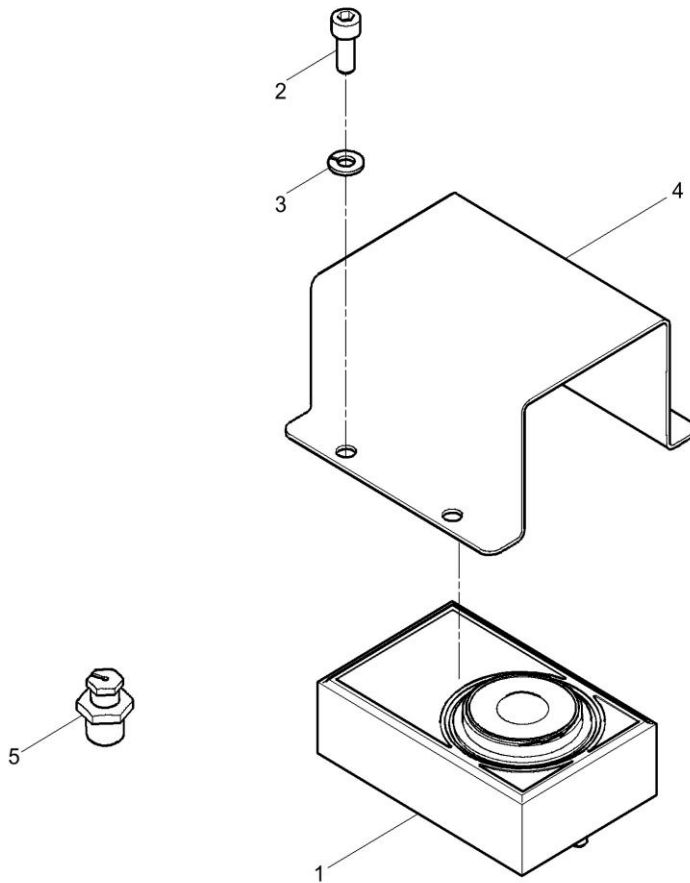


Fig.	09.010	THERMOSTAT SYSTEM
	HLC-7016L	LB134-0001

Item	Part Number	Part Name	Qty	See Fig.	Remarks
1	LB180-0002	THERMOSTAT	1		
2	S2304673	SOCKET BOLT	6		
3	S5100300	SPRING WASHER	6		
4	LB134-0002	COVER	1		
5	LB134-0003	NIPPLE	1		

EOL

Fig. 10.010	OVERWIND PREVENTION DEVICE
HLC-7016L	LB580-0001

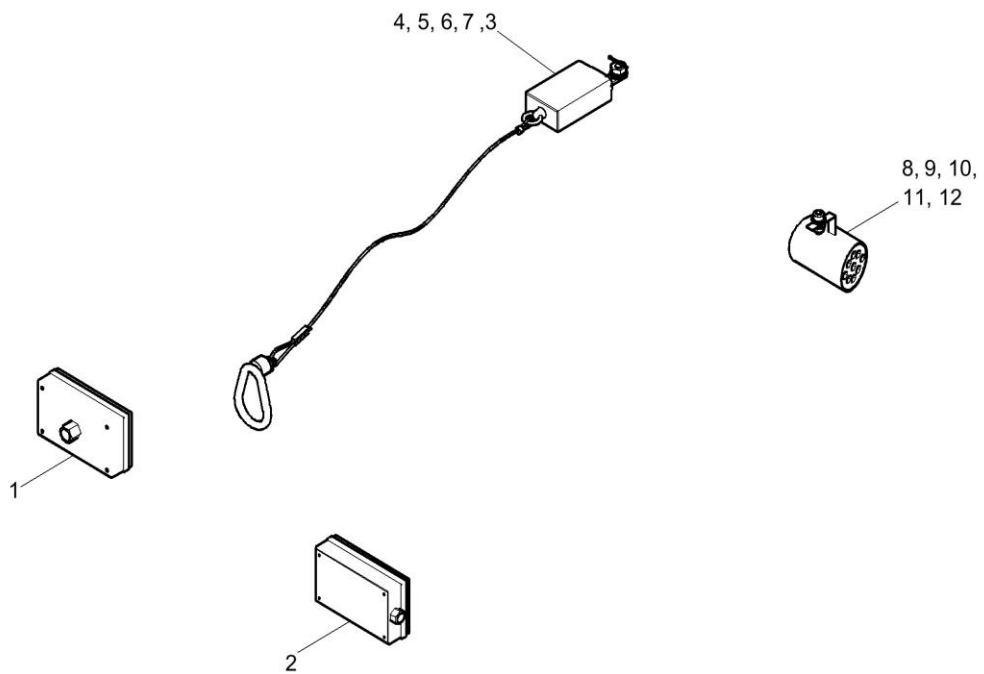


Fig. 10.010	OVERWIND PREVENTION DEVICE
HLC-7016L	LB580-0001

Item	Part Number	Part Name	Qty	See Fig.	Remarks
1	LB580-0002	RECEIVER	1		
2	LB180-0005	TRANSMITTER	1		
3	LB580-0004	LIMIT SWITCH	1		
4	S5100603	SPRING WASHER	1		D10-ZPC3
5	S5000603	PLAIN WASHER	1		D10-ZPC3
6	S4012643	HEX NUT	1		M10x1.5-Sty.2-ZPC3
7	S5735281	SPLIT PIN	1		D2-L25
8	LB180-0007	BUZZER	1		
9	S5100503	SPRING WASHER	1		D8-ZPC3
10	S2308873	SOCKET BOLT	1		
11	S5000503	PLAIN WASHER	1		D8-ZPC3
12	S4012543	HEX NUT	1		M8x1.25-Sty.2-ZPC3

EOL

Fig. 11.010	LEVEL ASSY
HLC-7016L	LB135-0001

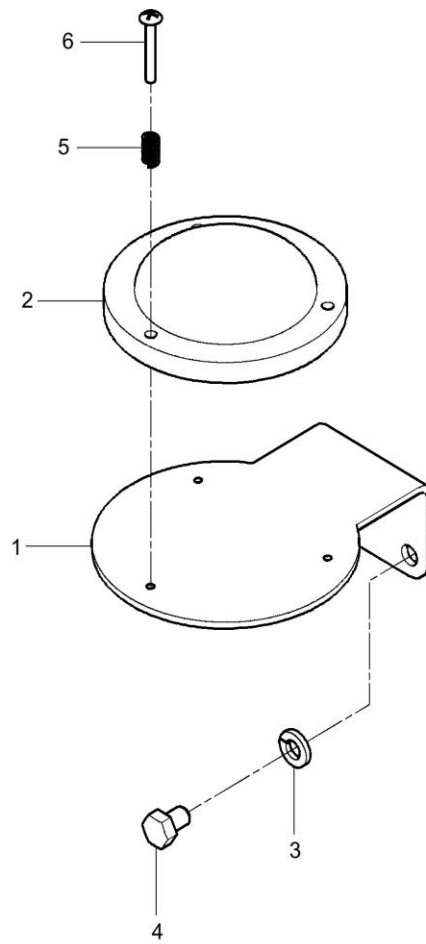


Fig.	11.010	LEVEL ASSY
	HLC-7016L	LB135-0001

Item	Part Number	Part Name	Qty	See Fig.	Remarks
1	LB135-0002	BRACKET	1		
2	LB135-0003	LEVEL GAUGE	1		
3	S5102503	SPRING WASHER	2		D8-ZPC3
4	S0108463	HEX BOLT	2		
5	LB135-0004	SPRING	3		
6	S3456630	LEVEL ASSY	3		

EOL

<p>Fig. 12.010</p>	<p>STICKER SET</p>
<p>HLC-7016L</p>	<p>LB190-0001</p>

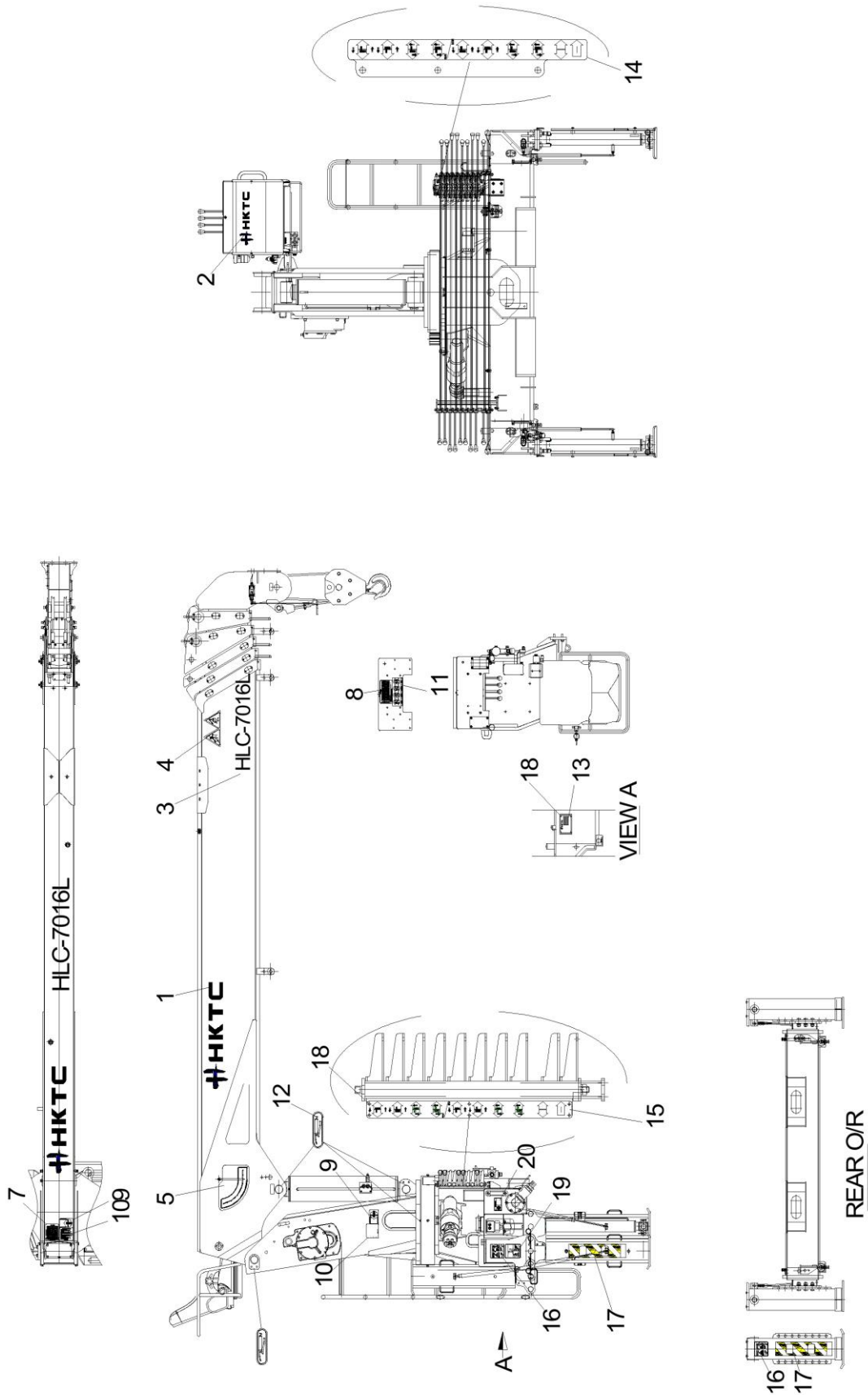


Fig. 12.010	STICKER SET
HLC-7016L	LB190-0001

Item	Part Number	Part Name	Qty	See Fig.	Remarks
1	LB190-0019	OUTRIGGER OPERATION STICKER	2		
2	LB190-0018	JACK WARNING STICKER	4		
3	LB190-0017	OUTRIGGER WARNING STICKER	4		
4	LB190-0016	STICKER	1		
5	LB190-0015	STICKER	1		
6	LB190-0014	NAME PLATE	1		
7	LB190-0013	STICKER	9		
8	LB190-0012	CONTROL STICKER	1		
9	LB190-0011	CRANE WARNING STICKER	3		
10	LB190-0010	STABILITY STICKER	3		
11	LB190-0009	LOAD CHART STICKER	1		
12	LB190-0008	WORKING RADIUS STICKER	1		
13	LB190-0007	STICKER	1		
14	LB190-0006	STICKER	1		
15	LB190-0005	BOOM WARNING STICKER	2		
16	LB190-0004	HLC-7016L STICKER(S)	3		
17	LB190-0003	STICKER	1		
18	LB190-0002	STICKER	3		

EOL

Blank page



Chapter 2. Index

HLC-7016L
HLC-7016ST

Part Number	Fig.	Item	Part Number	Fig.	Item	Part Number	Fig.	Item
HT7170053	05.010	12	LB118-0016	01.060	9	LB118-0029	01.050	17
LB101-0001	00.010	2	LB118-0016	02.060	9	LB118-0029	02.050	19
LB108-0001	03.010	6	LB118-0017	01.020	23	LB118-0031	01.050	18
LB108-0007	03.010	7	LB118-0017	01.030	9	LB118-0031	02.050	20
LB108-0008	03.010	10	LB118-0017	01.040	9	LB118-0032	01.050	19
LB108-0009	03.010	12	LB118-0017	01.050	10	LB118-0032	02.050	21
LB108-0010	03.010	13	LB118-0017	01.060	10	LB118-0035	01.050	21
LB108-0011	03.010	14	LB118-0017	02.020	23	LB118-0035	01.060	20
LB108-0016	03.010	15	LB118-0017	02.030	9	LB118-0035	02.050	23
LB108-0019	03.010	17	LB118-0017	02.040	9	LB118-0035	02.060	20
LB108-0020	03.010	19	LB118-0017	02.050	10	LB118-0036	01.060	3
LB108-0021	03.010	21	LB118-0017	02.060	10	LB118-0036	02.060	3
LB108-0024	03.010	22	LB118-0017	03.030	33	LB118-0037	01.070	18
LB108-0025	00.010	8	LB118-0017	06.010	36	LB118-0038	01.060	16
LB108-0026	03.010	16	LB118-0018	01.020	24	LB118-0038	02.060	16
LB110-0001	00.010	1	LB118-0018	01.030	10	LB118-0040	01.060	17
LB110-0002	01.010	1	LB118-0018	01.040	10	LB118-0040	02.060	17
LB110-0003	01.010	2	LB118-0018	01.050	11	LB118-0041	01.060	18
LB110-0004	01.010	3	LB118-0018	01.060	11	LB118-0041	02.060	18
LB110-0005	01.010	4	LB118-0018	02.020	24	LB118-0044	01.070	3
LB110-0006	01.010	5	LB118-0018	02.030	10	LB118-0044	02.070	3
LB110-0007	01.010	6	LB118-0018	02.040	10	LB118-0048	01.070	4
LB110-0008	01.010	7	LB118-0018	02.050	11	LB118-0048	02.070	4
LB111-0001	01.020	1	LB118-0018	02.060	11	LB118-0049	01.070	5
LB112-0001	01.030	1	LB118-0018	03.030	34	LB118-0049	02.070	5
LB113-0001	01.040	1	LB118-0018	06.010	37	LB118-0050	01.070	8
LB114-0001	01.050	1	LB118-0019	01.030	3	LB118-0050	02.070	8
LB115-0001	01.060	1	LB118-0019	01.040	3	LB118-0051	01.070	11
LB116-0001	01.070	1	LB118-0019	02.030	3	LB118-0051	02.070	11
LB118-0001	01.020	2	LB118-0019	02.040	3	LB118-0053	01.070	12
LB118-0001	01.030	2	LB118-0020	01.030	5	LB118-0053	02.070	12
LB118-0001	01.040	2	LB118-0020	01.040	5	LB118-0054	01.070	13
LB118-0001	02.020	2	LB118-0020	02.030	5	LB118-0054	02.070	13
LB118-0001	02.030	2	LB118-0020	02.040	5	LB118-0057	01.070	14
LB118-0001	02.040	2	LB118-0021	01.030	14	LB118-0057	02.070	14
LB118-0002	01.020	3	LB118-0021	02.030	14	LB118-0058	01.070	17
LB118-0002	02.020	3	LB118-0022	01.040	14	LB118-0058	02.070	17
LB118-0003	01.020	6	LB118-0022	02.040	14	LB118-0059	01.080	5
LB118-0003	02.020	6	LB118-0023	01.050	2	LB118-0059	02.080	5
LB118-0004	01.020	9	LB118-0023	01.060	2	LB118-0061	01.080	6
LB118-0004	02.020	9	LB118-0023	02.050	2	LB118-0061	02.080	6
LB118-0007	01.020	10	LB118-0023	02.060	2	LB118-0063	01.080	7
LB118-0007	02.020	10	LB118-0024	01.050	3	LB118-0064	01.020	22
LB118-0008	01.020	13	LB118-0024	02.050	3	LB118-0064	01.030	8
LB118-0008	02.020	13	LB118-0025	01.050	6	LB118-0064	01.040	8
LB118-0009	01.020	15	LB118-0025	01.060	6	LB118-0064	02.020	22
LB118-0009	02.020	15	LB118-0025	02.050	6	LB118-0064	02.030	8
LB118-0011	01.020	16	LB118-0025	02.060	6	LB118-0064	02.040	8
LB118-0011	02.020	16	LB118-0026	01.050	14	LB118-0065	01.050	9
LB118-0014	01.020	19	LB118-0026	02.050	14	LB118-0065	02.050	9
LB118-0014	02.020	19	LB118-0027	01.050	15	LB118-0066	01.060	22
LB118-0015	01.020	20	LB118-0027	02.050	15	LB118-0066	01.070	2
LB118-0015	02.020	20	LB118-0028	01.060	23	LB118-0066	02.060	22

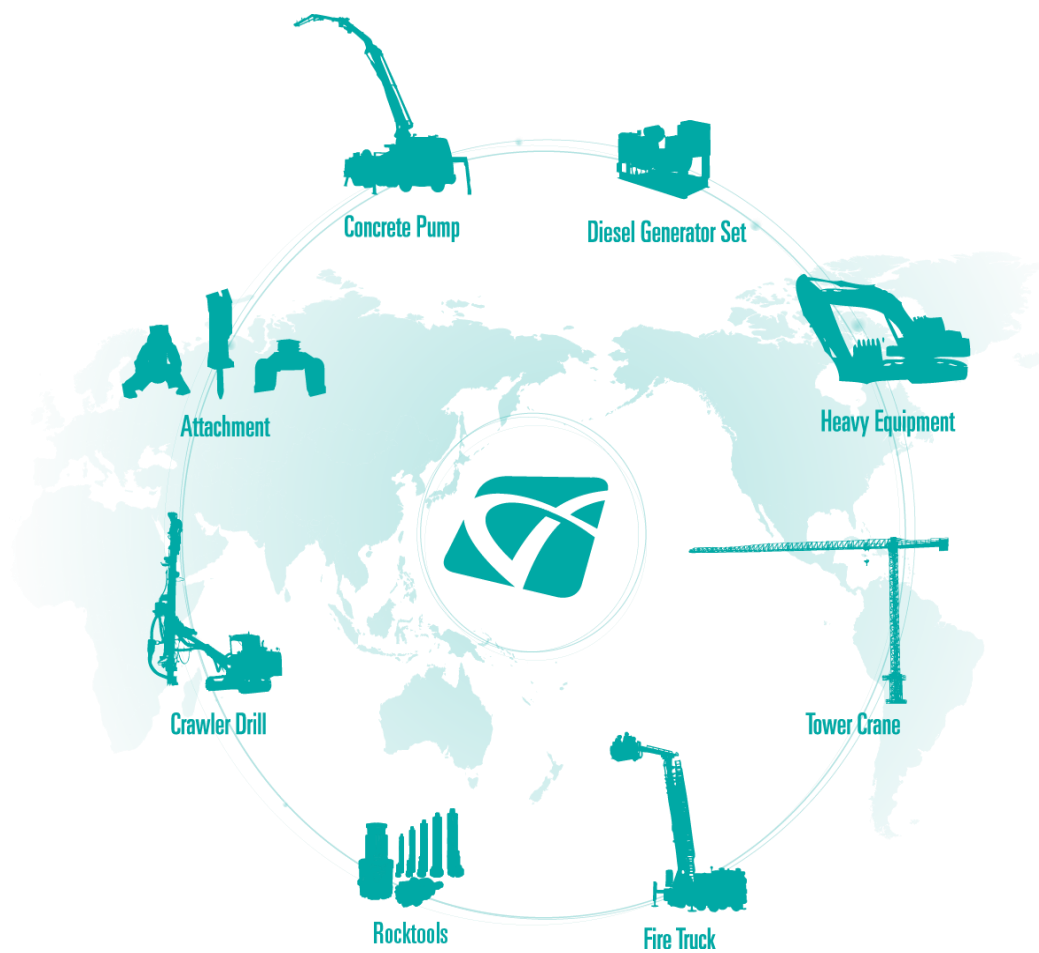
Part Number	Fig.	Item	Part Number	Fig.	Item	Part Number	Fig.	Item
LB118-0066	02.070	2	LB132-0019	03.060	8	LB142-0040	06.010	4
LB120-0001	03.010	1	LB132-0020	03.060	2	LB148-0001	05.010	2
LB121-0001	03.020	1	LB132-0034	03.060	3	LB148-0001	06.010	6
LB122-0001	03.010	25	LB132-0035	03.060	5	LB148-0002	05.010	5
LB122-0002	03.090	5	LB132-0036	03.060	6	LB148-0003	05.010	7
LB122-0003	03.090	9	LB132-0037	03.060	9	LB148-0004	05.010	8
LB122-0004	03.090	12	LB132-0038	03.060	10	LB148-0005	05.010	11
LB122-0005	03.090	13	LB132-0039	03.060	11	LB148-0006	05.010	13
LB122-0006	03.090	14	LB132-0042	03.060	14	LB148-0009	05.010	15
LB122-0007	03.090	15	LB132-0045	03.060	15	LB148-0010	05.010	19
LB122-0008	03.090	31	LB132-0046	03.060	16	LB148-0013	05.010	24
LB122-0009	03.090	21	LB132-0047	03.050	10	LB148-0014	06.010	9
LB122-0010	03.090	22	LB133-0001	03.050	9	LB148-0015	06.010	11
LB122-0011	03.010	20	LB133-0002	03.070	2	LB148-0016	06.010	12
LB122-0011	03.090	23	LB133-0006	03.070	5	LB148-0017	06.010	15
LB122-0012	03.090	28	LB133-0010	03.070	10	LB148-0018	06.010	17
LB123-0001	03.090	1	LB133-0011	03.070	15	LB148-0019	06.010	27
LB123-0023	03.090	2	LB133-0012	03.070	14	LB148-0020	06.010	30
LB123-0030	03.090	20	LB134-0001	00.010	12	LB148-0021	06.010	34
LB123-0034	03.090	11	LB134-0002	09.010	4	LB148-0022	06.010	35
LB123-0035	03.100	1	LB134-0003	09.010	5	LB148-0023	06.010	42
LB123-0038	03.100	3	LB135-0001	00.010	14	LB148-0024	05.010	28
LB123-0042	03.100	4	LB135-0002	11.010	1	LB148-0025	05.010	27
LB123-0045	03.100	11	LB135-0003	11.010	2	LB148-0026	05.010	29
LB123-0046	03.090	7	LB135-0004	11.010	5	LB148-0027	05.010	30
LB123-0051	03.100	12	LB138-0001	03.030	7	LB150-0001	03.010	3
LB124-0001	00.010	11	LB138-0002	03.080	2	LB151-0002	04.010	15
LB124-0002	08.010	9	LB138-0005	03.030	8	LB151-0003	04.010	8
LB124-0003	08.020	6	LB138-0006	03.030	13	LB151-0004	04.010	26
LB124-0007	08.020	5	LB138-0007	03.030	14	LB151-0005	04.010	29
LB124-0009	08.020	4	LB138-0008	03.030	15	LB153-0002	04.030	5
LB124-0011	08.020	3	LB138-0009	03.030	16	LB156-0002	04.060	4
LB124-0013	08.020	2	LB138-0010	03.030	18	LB156-0007	04.060	5
LB124-0014	08.010	8	LB138-0013	03.030	22	LB156-0009	04.060	6
LB124-0015	08.010	7	LB138-0014	03.030	24	LB156-0011	04.060	7
LB124-0016	08.010	6	LB138-0016	03.030	25	LB156-0013	04.060	8
LB124-0017	08.010	5	LB138-0017	03.030	27	LB156-0015	04.060	9
LB128-0001	03.020	5	LB138-0017	06.010	45	LB156-0017	04.060	10
LB128-0009	03.020	8	LB138-0020	03.030	28	LB156-0019	04.060	11
LB128-0012	03.020	11	LB138-0020	06.010	46	LB156-0021	04.060	18
LB128-0015	03.020	12	LB138-0021	03.030	31	LB156-0023	04.060	19
LB128-0016	03.020	14	LB138-0022	03.030	32	LB156-0025	04.060	20
LB128-0019	03.020	15	LB138-0023	03.030	36	LB166-0001	00.010	5
LB128-0021	03.020	16	LB138-0024	03.030	38	LB166-0002	07.010	1
LB128-0022	03.020	21	LB138-0025	04.010	28	LB168-0017	04.060	14
LB130-0001	03.010	2	LB140-0001	00.010	3	LB169-0001	00.010	6
LB131-0001	03.030	1	LB140-0002	00.010	4	LB171-0001	01.080	1
LB131-0007	03.040	1	LB141-0001	05.010	1	LB171-0002	01.080	2
LB131-0008	03.040	2	LB141-0020	05.010	14	LB171-0002	02.080	2
LB132-0001	03.030	12	LB141-0020	06.010	5	LB171-0003	03.020	2
LB132-0002	03.050	1	LB142-0001	06.010	1	LB171-0004	03.020	6
LB132-0003	03.060	1	LB142-0015	06.010	2	LB171-0005	03.020	17
LB132-0018	03.060	7	LB142-0030	06.010	3	LB171-0006	03.020	20

Part Number	Fig.	Item	Part Number	Fig.	Item	Part Number	Fig.	Item
LB171-0007	03.020	22	LB910-0003	02.010	2	LW271-5100	04.020	16
LB171-0008	04.040	8	LB910-0004	02.010	3	LW271-5103	04.020	10
LB171-0009	03.090	32	LB910-0005	02.010	4	LW271-5105	04.010	16
LB171-0010	03.090	18	LB910-0006	02.010	5	LW271-5106	04.010	20
LB171-0011	03.090	16	LB910-0007	02.010	6	LW272-0008	03.030	23
LB171-0012	03.090	17	LB910-0008	02.010	7	LW272-0008	04.060	23
LB171-0013	03.080	1	LB911-0001	02.020	1	LW272-0109	04.060	2
LB171-0014	03.030	2	LB912-0001	02.030	1	LW272-0118	04.010	13
LB171-0015	03.030	4	LB913-0001	02.040	1	LW272-0132	04.010	14
LB171-0017	03.030	9	LB914-0001	02.050	1	LW2858102	03.070	13
LB171-0018	03.060	18	LB915-0001	02.060	1	LW2858102	03.100	10
LB171-0019	03.050	7	LB916-0001	02.070	1	LW285-8102	04.050	9
LB171-0020	05.010	4	LB918-0001	02.060	14	LW285-8104	04.020	1
LB171-0021	05.010	10	LB918-0002	02.050	17	LW285-8104	04.030	1
LB171-0022	05.010	16	LB918-0003	02.080	7	LW285-8104	04.040	1
LB171-0023	06.010	8	LB971-0001	02.080	1	LW285-8104	04.050	1
LB171-0024	06.010	14	LW152-0002	04.020	5	LW285-8105	04.010	1
LB171-0025	06.010	23	LW270-0331	04.010	27	LW523-3075	04.010	6
LB171-0026	03.100	2	LW270-2191	04.010	30	LW523-3085	04.010	17
LB171-0027	03.070	1	LW270-2193	04.020	18	LW526-0060	04.050	11
LB171-0029	04.060	21	LW271-0001	03.030	26	LW526-0100	04.020	17
LB171-0029	06.010	50	LW271-0001	04.010	23	LW526-1050	04.020	6
LB180-0001	08.010	1	LW271-0001	04.020	15	LW526-1050	04.040	5
LB180-0002	09.010	1	LW271-0001	04.050	8	LW526-1055	04.020	13
LB180-0005	10.010	2	LW271-0001	04.060	12	LW526-2040	04.010	21
LB180-0007	10.010	8	LW271-0001	05.010	22	LW526-3090	04.010	9
LB180-0008	03.090	25	LW271-0001	06.010	25	LW551-0030	04.060	13
LB180-0009	01.020	27	LW271-0301	04.060	3	LW551-0030	06.010	52
LB180-0009	02.020	27	LW271-0302	04.020	14	LW551-0110	04.010	25
LB180-0009	03.090	26	LW271-0305	03.020	25	LW551-0145	04.010	22
LB190-0001	00.010	7	LW271-0305	04.020	9	LW551-1155	04.030	8
LB190-0002	12.010	18	LW271-0305	04.040	9	LW551-1180	04.030	9
LB190-0003	12.010	17	LW271-0306	04.020	4	LW551-3070	04.010	7
LB190-0004	12.010	16	LW271-0306	04.030	4	LW551-3700	06.010	26
LB190-0005	12.010	15	LW271-0306	04.040	4	LW551-4080	05.010	23
LB190-0006	12.010	14	LW271-0306	04.050	6	LW555-0160	04.060	17
LB190-0007	12.010	13	LW271-0308	04.010	12	LW555-1050	04.030	7
LB190-0008	12.010	12	LW271-0311	04.010	4	LW555-1095	04.020	7
LB190-0009	12.010	11	LW271-0600	04.050	10	LW555-1095	04.050	7
LB190-0010	12.010	10	LW271-0605	04.020	2	LW555-3085	04.010	10
LB190-0011	12.010	9	LW271-0605	04.030	2	LW555-3110	04.010	18
LB190-0012	12.010	8	LW271-0605	04.040	2	LW614-1185	04.050	5
LB190-0013	12.010	7	LW271-0605	04.050	2	LW616-1205	04.040	6
LB190-0014	12.010	6	LW271-0610	04.010	2	LW616-1230	04.040	7
LB190-0015	12.010	5	LW271-1600	05.010	18	S0108463	01.070	10
LB190-0016	12.010	4	LW271-2231	04.010	19	S0108463	02.070	10
LB190-0017	12.010	3	LW271-3104	04.020	12	S0108463	11.010	4
LB190-0018	12.010	2	LW271-3104	04.050	4	S0108663	03.030	41
LB190-0019	12.010	1	LW271-3401	04.030	6	S0108663	03.090	29
LB580-0001	00.010	15	LW271-3403	04.010	5	S0108663	06.010	44
LB580-0002	10.010	1	LW271-5000	04.010	24	S0108863	03.050	6
LB580-0004	10.010	3	LW271-5000	06.010	49	S0108863	03.080	4
LB910-0002	02.010	1	LW271-5001	04.020	11	S0108863	03.090	19

Part Number	Fig.	Item	Part Number	Fig.	Item	Part Number	Fig.	Item
S0108863	07.010	4	S2308573	02.070	7	S4012543	03.090	6
S0109063	03.090	30	S2308773	01.050	22	S4012543	03.100	9
S0111663	03.010	11	S2308773	01.060	21	S4012543	05.010	26
S0111863	03.050	3	S2308773	02.050	24	S4012543	08.010	2
S0112063	03.010	9	S2308773	02.060	21	S4012543	10.010	12
S0115563	03.090	4	S2308873	03.070	4	S4012643	03.010	18
S0115663	03.030	30	S2308873	10.010	10	S4012643	03.030	35
S0115663	06.010	48	S2309273	03.070	9	S4012643	03.090	33
S0153973	01.080	4	S2311673	01.020	5	S4012643	03.100	7
S0153973	02.080	4	S2311673	01.030	12	S4012643	06.010	40
S0155763	04.060	16	S2311673	01.040	12	S4012643	10.010	6
S0155963	03.060	13	S2311673	01.050	5	S4012743	03.030	29
S0156163	08.010	3	S2311673	01.060	5	S4012743	03.090	3
S0156563	03.090	27	S2311673	02.020	5	S4012743	06.010	47
S0157253	03.100	8	S2311673	02.030	12	S4012943	06.010	22
S0158163	05.010	21	S2311673	02.040	12	S5000503	01.070	9
S0158763	03.100	6	S2311673	02.050	5	S5000503	02.070	9
S0160463	06.010	29	S2311673	02.060	5	S5000503	03.030	39
S0160663	03.010	27	S2311873	01.020	28	S5000503	07.010	2
S0165263	03.030	6	S2311873	02.020	28	S5000503	10.010	11
S0165263	06.010	19	S2312073	01.020	26	S5000603	03.030	21
S0172570	03.010	5	S2312073	01.030	13	S5000603	03.070	6
S0173370	03.030	3	S2312073	01.040	13	S5000603	10.010	5
S2204673	06.010	33	S2312073	01.050	13	S5000703	03.020	18
S2205473	04.060	22	S2312073	01.060	13	S5000913	06.010	20
S2205473	06.010	51	S2312073	01.070	16	S5011003	00.010	9
S2205673	03.020	23	S2312073	02.020	26	S5100300	09.010	3
S2208673	03.060	17	S2312073	02.030	13	S5100303	01.080	3
S2209373	05.010	17	S2312073	02.040	13	S5100303	02.080	3
S2209873	06.010	24	S2312073	02.050	13	S5100503	01.020	7
S2211673	06.010	39	S2312073	02.060	13	S5100503	01.030	6
S2211873	03.020	10	S2312073	02.070	16	S5100503	01.040	6
S2211873	03.030	20	S2315373	01.020	12	S5100503	01.050	7
S2212073	06.010	41	S2315373	02.020	12	S5100503	01.060	7
S2212673	03.050	8	S3140013	03.090	8	S5100503	01.070	6
S2214873	03.020	7	S3453098	05.010	3	S5100503	02.020	7
S2215373	03.020	19	S3453098	06.010	7	S5100503	02.030	6
S2215373	03.030	11	S3456630	11.010	6	S5100503	02.040	6
S2215573	03.020	4	S4010603	01.020	25	S5100503	02.050	7
S2304673	09.010	2	S4010603	01.030	11	S5100503	02.060	7
S2308473	01.020	8	S4010603	01.040	11	S5100503	02.070	6
S2308473	01.030	7	S4010603	01.050	12	S5100503	03.050	4
S2308473	01.040	7	S4010603	01.060	12	S5100503	03.070	3
S2308473	01.050	8	S4010603	02.020	25	S5100503	03.090	10
S2308473	01.060	8	S4010603	02.030	11	S5100503	10.010	9
S2308473	02.020	8	S4010603	02.040	11	S5100603	01.020	4
S2308473	02.030	7	S4010603	02.050	12	S5100603	01.030	4
S2308473	02.040	7	S4010603	02.060	12	S5100603	01.040	4
S2308473	02.050	8	S4011003	01.060	24	S5100603	01.050	4
S2308473	02.060	8	S4011003	02.050	18	S5100603	01.060	4
S2308573	01.020	17	S4011003	02.060	15	S5100603	01.070	15
S2308573	01.070	7	S4012543	03.060	4	S5100603	02.020	4
S2308573	02.020	17	S4012543	03.070	8	S5100603	02.030	4

Part Number	Fig.	Item	Part Number	Fig.	Item	Part Number	Fig.	Item
S5100603	02.040	4	S6510180	05.010	6			
S5100603	02.050	4	S6510280	01.050	16			
S5100603	02.060	4	S6510280	02.050	16			
S5100603	02.070	15	S6510300	01.040	15			
S5100603	10.010	4	S6510300	02.040	15			
S5100703	01.020	11	S6510350	01.030	15			
S5100703	02.020	11	S6510350	02.030	15			
S5102303	06.010	32	S6510350	06.010	18			
S5102503	03.030	40	S6540800	03.070	11			
S5102503	03.050	5	S6710043	01.020	21			
S5102503	03.060	12	S6710043	02.020	21			
S5102503	03.080	3	S8000141	03.020	24			
S5102503	04.060	15	S8000141	04.020	8			
S5102503	05.010	25	S8000141	04.060	1			
S5102503	06.010	43	S8000181	04.010	11			
S5102503	07.010	3	S8000181	04.020	3			
S5102503	11.010	3	S8000181	04.030	3			
S5102603	03.010	8	S8000181	04.040	3			
S5102603	03.020	9	S8000181	04.050	3			
S5102603	03.030	19	S8000241	04.010	3			
S5102603	03.050	2	S8001051	03.030	17			
S5102603	03.100	5						
S5102603	05.010	20						
S5102603	06.010	38						
S5102703	03.010	26						
S5102703	03.020	3						
S5102703	03.030	10						
S5102703	06.010	28						
S5102903	03.030	5						
S5102903	06.010	21						
S5103203	03.010	4						
S5735281	10.010	7						
S5735350	03.070	7						
S5735611	00.010	10						
S5736031	06.010	31						
S6260110	03.010	24						
S6270110	03.010	23						
S6283216	01.020	18						
S6283216	02.020	18						
S6500150	08.010	4						
S6500150	08.020	1						
S6500200	03.020	13						
S6500200	05.010	9						
S6500200	06.010	13						
S6500350	01.020	14						
S6500350	02.020	14						
S6500350	06.010	16						
S6500400	01.050	20						
S6500400	01.060	19						
S6500400	02.050	22						
S6500400	02.060	19						
S6500500	03.030	37						
S6510150	06.010	10						

Blank page



Sales Office

Room #1203, Woolim Lion's Valley II, 680, Gasan-dong, Geumcheon-gu, Seoul, Korea 153-803

Factory & Head Office

1191, Chopyeong-ro, Chopyeong-myeon, Jincheon-gun, Chungcheongbuk-do, Korea 365-852

