



PARTS CATALOGUE

HLC-8026A

Parts Catalogue No.: MCTAAD00003
Revision Date: 20150324

Blank page

FOREWORD

- This parts manual describes the configuration of the part components of the product and is intended only to assist to order spare parts for maintenance work.
- This manual contains no safety information for operating the product or maintenance work. Please observe the safety instructions described in the relevant operation manual.
- The illustrations shown in this manual is not appropriate for workshop instructions, so they should not be used for assembling or disassembling the product. Please refer to the workshop manual for that purpose.
- Use HKTC genuine parts only.
Warranties do not cover damages that have been caused or aggravated by use of non-genuine parts.
- For product warranty, please refer to the warranty conditions provided separately.
- The illustrations in this manual show only the overall shapes and positions of the part components so they may not be identical with the actual parts.
- For the purpose of continued product improvement, some information in this manual could be changed without prior notice, and might be differ from your product which was not covered by this publication.
- If you found the information that is unclear or not corresponding with the actual product, contact HKTC or HKTC distributor.

1. How to use this parts manual

Fig. 01.001 (1)	CYLINDER ASSY (2)
ABC12 (3)	A000-0000 000 (4)

Item	Part. No.	Part Name	Qty	See fig.	Remarks	
1	A000-0010 000	TUBE ASSY	1			
2	A000-0001 000	ROD ASSY	1	01.002		
(5)	(6)	(7)	(8)	(9)	(10)	(11)

Fig. 01.002 ←	ROD ASSY
ABC12	A000-0001 000

1. Fig : Group number.
2. Title : Title name of the assembly shown in the page.
3. Model name: Identification name of the product.
4. Assembly number : Number of the assembly show in the page.
5. Item : Key number Which shows the referring number of the part in corresponding illustration.
6. Part NO. : Identification number of the part or assembly.
7. Rev. : Revision number of part number.
8. Part name : Name of the part.
9. Qty : Quantity used for one unit of their parent assembly containing the parts.
10. See Fig. : Fig number of the part.
11. Remark : Supplementary comment.

2. How to order parts

Please note the full model name and serial number of your product. This code can be found on the nameplate of your product. Compare the parts to order with the corresponding parts in the drawings in this parts manual and note the part numbers to order.

When ordering parts, please specify detail part names as shown in the following example

1. Model name of product:
2. Serial number:
3. Part No.:
4. Part name:
5. Quantity:
6. Purchaser's name & address:

CONTENTS

Chapter 1. Parts List

Fig.	Part Name	Page
00.010	CRANE ASSY	6
01.010	BOOM ASSY	8
01.020	1ST BOOM ASSY	10
01.030	2ND BOOM ASSY	12
01.040	3RD BOOM ASSY	14
01.050	4TH BOOM ASSY	16
01.060	5TH BOOM ASSY	18
01.070	6TH BOOM ASSY	20
01.080	TELESCOPE CYLINDER ASSY	22
02.010	BODY ASSY	24
02.020	POST ASSY	26
02.030	FRAME ASSY	28
02.040	ROTARY JOINT ASSY	30
02.050	OPERATION MTG	32
02.060	OPERATION SET	34
02.070	ACCEL SYSTEM	36
02.080	OIL TANK	38
02.090	TOP SEAT ASSY	40
02.100	ACCEL PEDAL ASSY	42
03.010	MAIN OUTRIGGER ASSY	44
04.010	REAR OUTRIGGER ASSY	46
05.010	LADDER ASSY	50
06.010	DISTRIBUTOR PIPING	52
06.020	WINCH PIPING	54
06.030	TELESCOPIC PIPING	56
06.040	DERRICK PIPING	58
06.050	SWING PIPING	60
06.060	OUTRIGGER PIPING	62
08.010	STICKER SET	64
09.010	WIRE SAFETY DEVICE	66
09.020	WIRE CLAMP SET	68
10.010	THERMOSTAT SYSTEM	70
11.010	OVERWIND PREVENTION DEVICE	72
12.010	LEVEL ASSY	74
13.010	DRIVE	76
Chapter 2. Index		80



Chapter 1. Parts List

HLC-8026A

Fig. 00.010	CRANE ASSY
HLC-8026A	LB300-0004

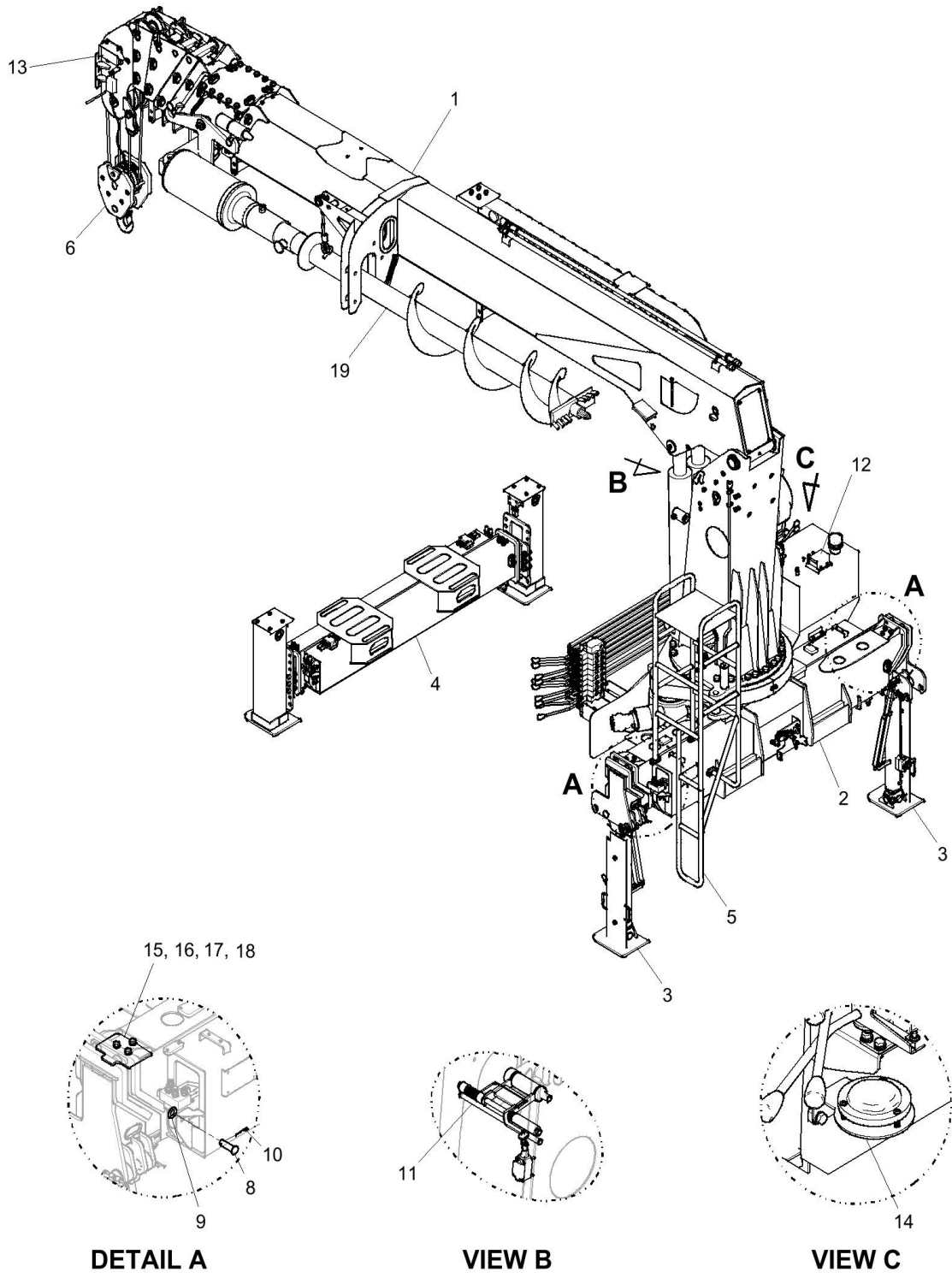


Fig. 00.010	CRANE ASSY
HLC-8026A	LB300-0004

Item	Part Number	Part Name	Qty	See Fig.	Remarks
1	LB310-0001	BOOM ASSY	1	01.010	
2	LB301-0003	BODY ASSY	1	02.010	
3	LB340-0001	MAIN OUTRIGGER ASSY	2	03.010	
4	LB140-0002	REAR OUTRIGGER ASSY	1	04.010	
5	LB166-0001	LADDER ASSY	1	05.010	
6	LB169-0001	HOOK ASSY	1		
7	LB391-0001	STICKER SET	1	08.010	
8	LB108-0025	PIN	2		
9	S5011003	PLAIN WASHER	2		D18-ZPC3
10	S5735611	SPLIT PIN	2		D4-L40-ZPC3
11	LB324-0001	WIRE SAFETY DEVICE	1	09.010	
12	LB134-0001	THERMOSTAT SYSTEM	1	10.010	
13	LB580-0001	OVERWIND PREVENTION DEVICE	1	11.010	
14	LB135-0001	LEVEL ASSY	1	12.010	
15	LB308-0011	STOPPER	2		
16	S5000603	PLAIN WASHER	6		D10-ZPC3
17	S5100603	SPRING WASHER	6		D10-ZPC3
18	S0111663	HEX BOLT	6		M10x1.5-L16-FULL-ZPC3
19	LB361-0060	DRIVE	1	13.010	
EOL					

Fig. 01.010	BOOM ASSY
HLC-8026A	LB310-0001

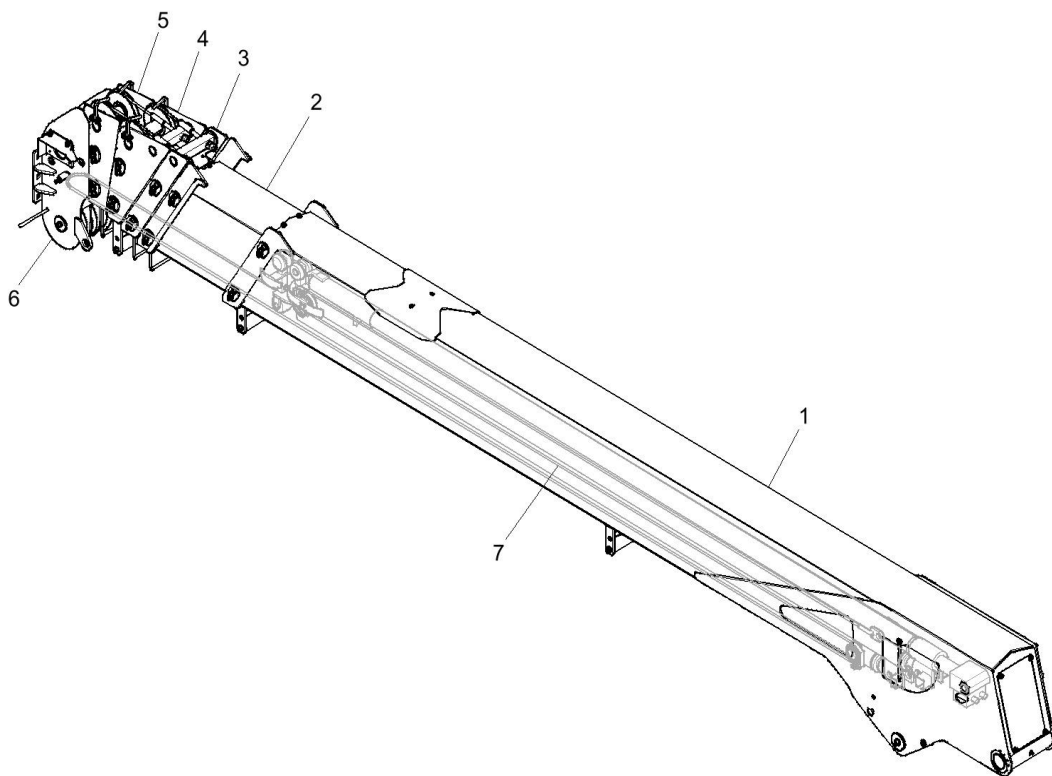
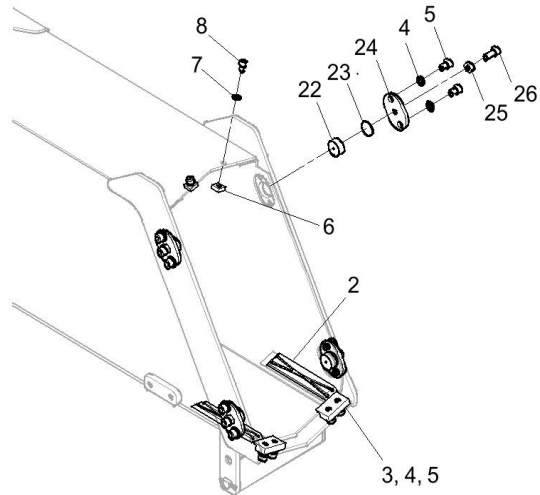
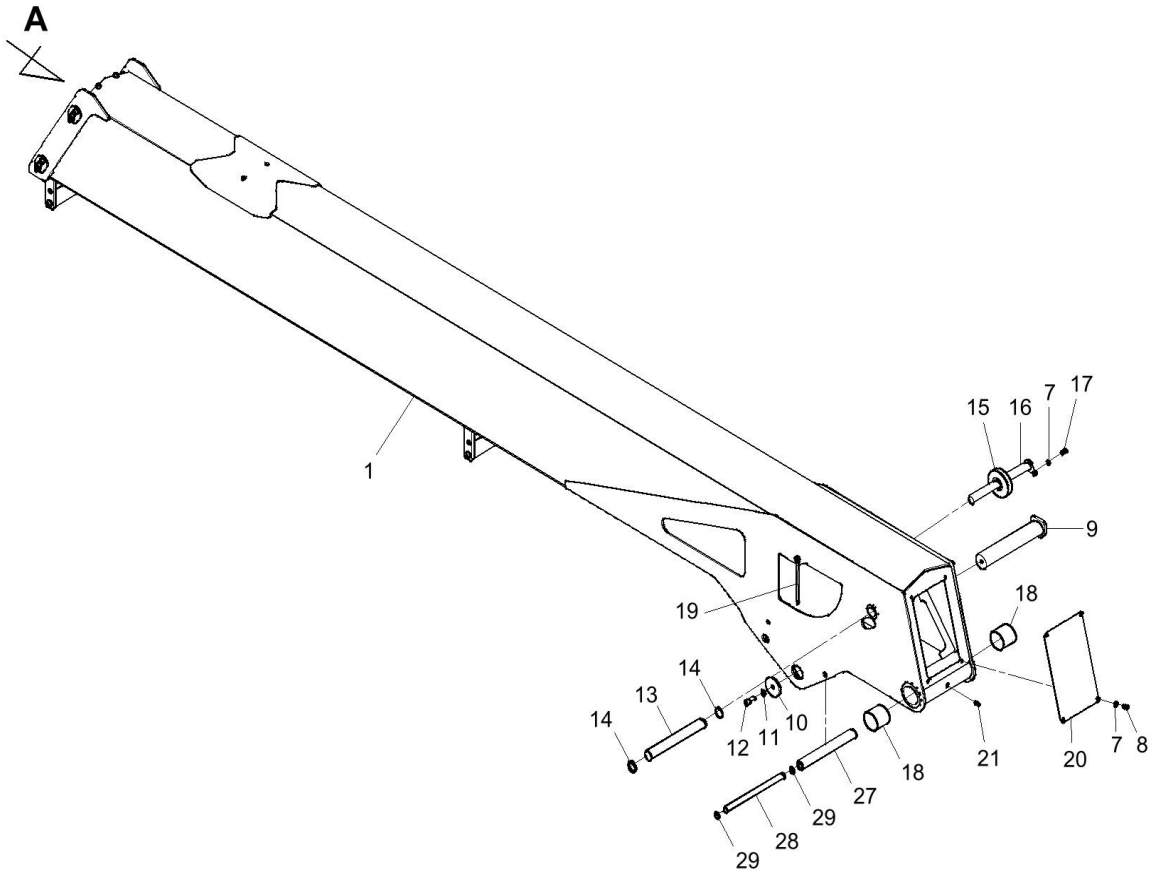


Fig.	01.010	BOOM ASSY
	HLC-8026A	LB310-0001

Item	Part Number	Part Name	Qty	See Fig.	Remarks
1	LB310-0002	1ST BOOM ASSY	1	01.020	
2	LB310-0003	2ND BOOM ASSY	1	01.030	
3	LB310-0004	3RD BOOM ASSY	1	01.040	
4	LB310-0005	4TH BOOM ASSY	1	01.050	
5	LB310-0006	5TH BOOM ASSY	1	01.060	
6	LB310-0007	6TH BOOM ASSY	1	01.070	
7	LB310-0008	TELESCOPE CYLINDER ASSY	1	01.080	

EOL

Fig. 01.020	1ST BOOM ASSY
HLC-8026A	LB310-0002



DETAIL A

Fig. 01.020	1ST BOOM ASSY
HLC-8026A	LB310-0002

Item	Part Number	Part Name	Qty	See Fig.	Remarks
1	LB311-0001	1ST BOOM STRUCTURE	1		
2	LB118-0001	SLIDE PAD	2		
3	LB118-0019	PAD STOPPER	2		
4	S5100603	SPRING WASHER	12		D10-ZPC3
5	S2311673	SOCKET BOLT	12		
6	LB118-0020	SPACER	2		
7	S5100503	SPRING WASHER	7		D8-ZPC3
8	S2308473	SOCKET BOLT	6		
9	LB318-0001	SHAFT	1		
10	LB118-0007	PLATE	1		
11	S5100703	SPRING WASHER	1		D12-ZPC3
12	S2315273	SOCKET BOLT	1		
13	LB318-0003	SHAFT	1		
14	S6500350	SNAP RING (C Type)	2		D35
15	LB118-0009	SHEAVE ASSY	1		
16	LB318-0004	SHAFT	1		
17	S2308673	SOCKET BOLT	1		
18	S6283316	DU BUSH	2		
19	LB118-0014	INDICATOR ROD	2		
20	LB218-0005	END COVER	1		
21	S6710043	GREASE NIPPLE (A Type)	1		PT 1/8-ZPC3
22	LB318-0006	SHAFT	4		
23	LB118-0017	PLATE	4		
24	LB118-0018	COVER	4		
25	S4010603	HEX NUT	4		M10x1.5-Sty.1-ZPC3
26	S2312073	SOCKET BOLT	4		
27	LB128-0012	ROLLER ASSY	1		
28	LB128-0015	ROLLER PIN	1		
29	S6500200	SNAP RING (C Type)	2		D20
EOL					

Fig. 01.030	2ND BOOM ASSY
HLC-8026A	LB310-0003

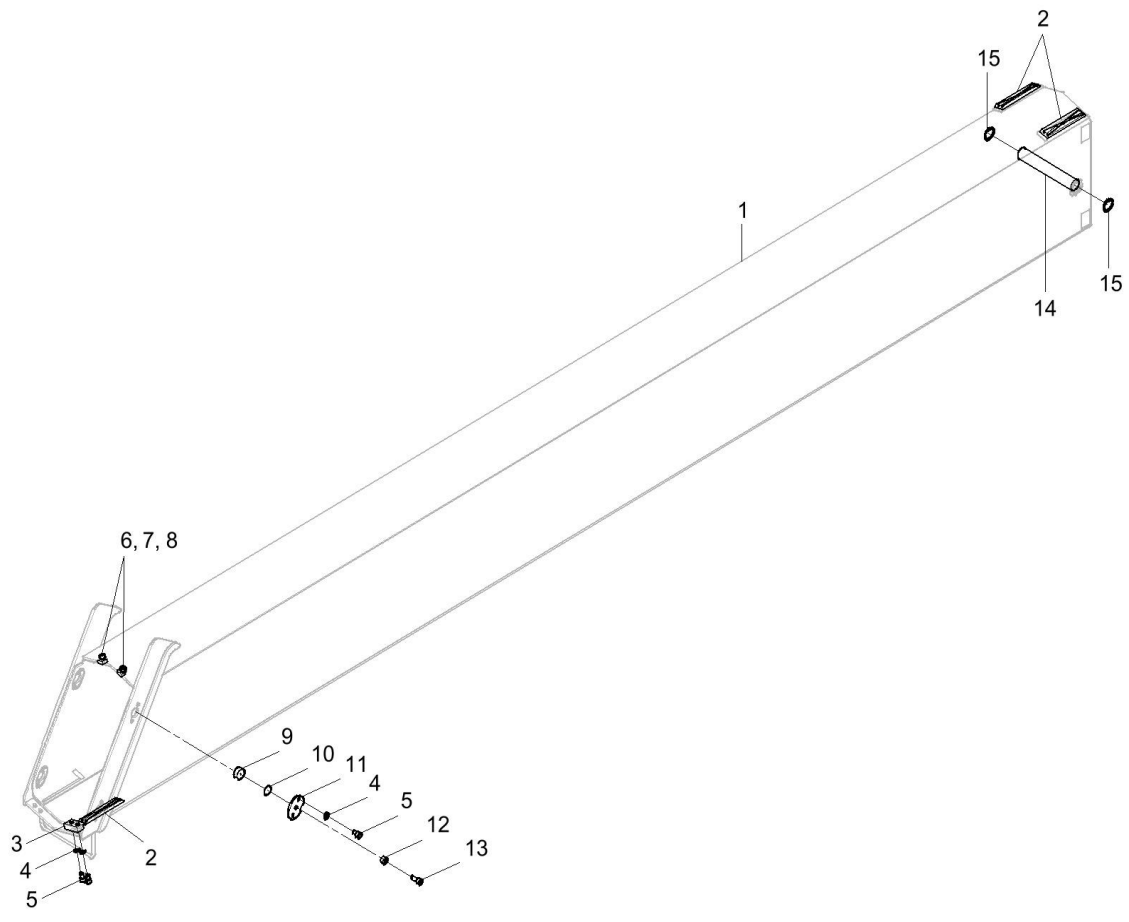


Fig. 01.030	2ND BOOM ASSY
HLC-8026A	LB310-0003

Item	Part Number	Part Name	Qty	See Fig.	Remarks
1	LB312-0001	2ND BOOM STRUCTURE	1		
2	LB118-0001	SLIDE PAD	4		
3	LB118-0002	PAD STOPPER	2		
4	S5100603	SPRING WASHER	12		D10-ZPC3
5	S2311673	SOCKET BOLT	12		
6	LB118-0003	SPACER	2		
7	S5100503	SPRING WASHER	2		D8-ZPC3
8	S2308473	SOCKET BOLT	2		
9	LB418-0024	SIDE PAD	4		
10	LB118-0017	PLATE	4		
11	LB118-0018	COVER	4		
12	S4010603	HEX NUT	4		M10x1.5-Sty.1-ZPC3
13	S2312073	SOCKET BOLT	4		
14	LB318-0007	PIN	1		
15	S6510350	SNAP RING	2		

EOL

Fig. 01.040	3RD BOOM ASSY
HLC-8026A	LB310-0004

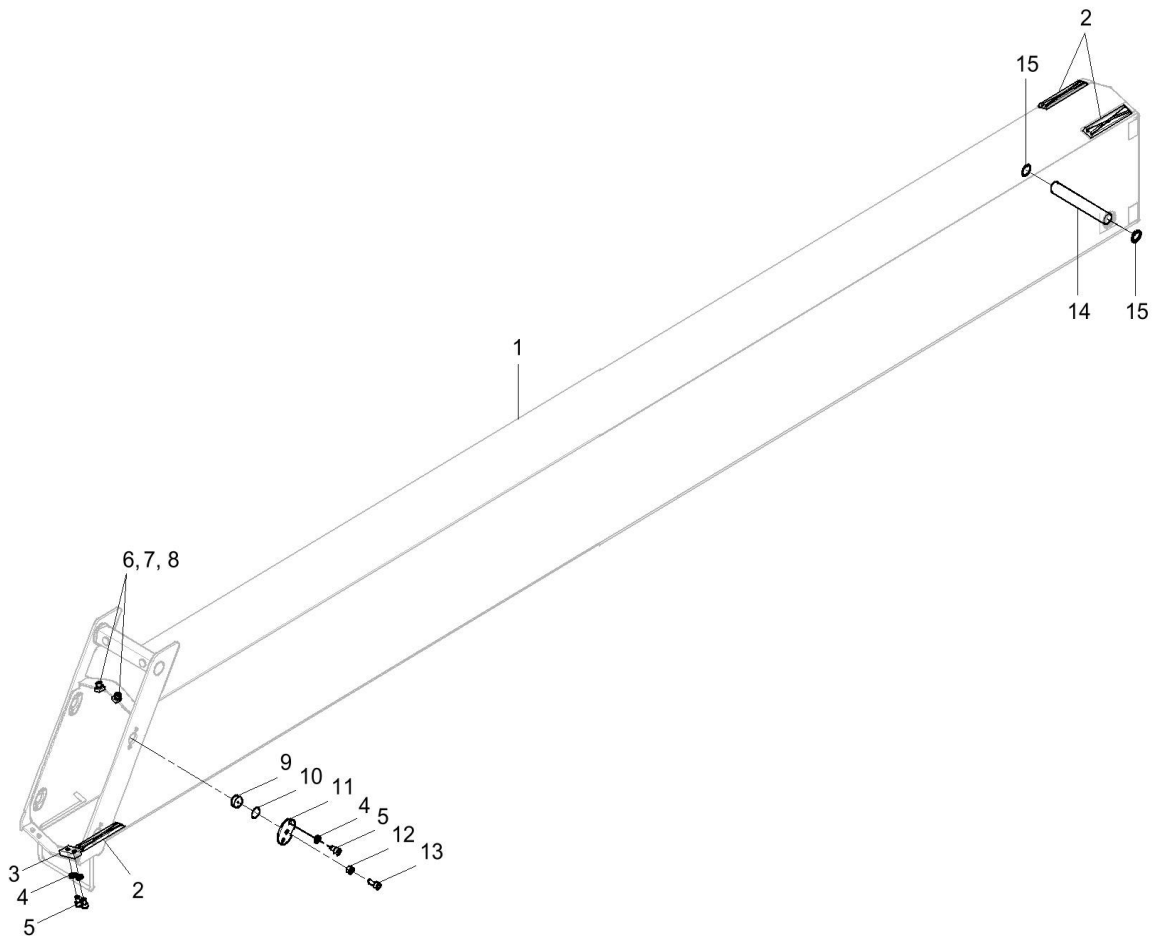
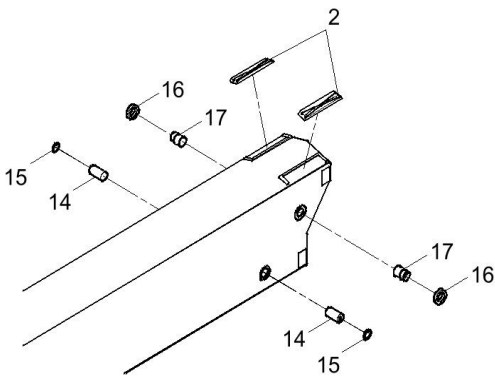
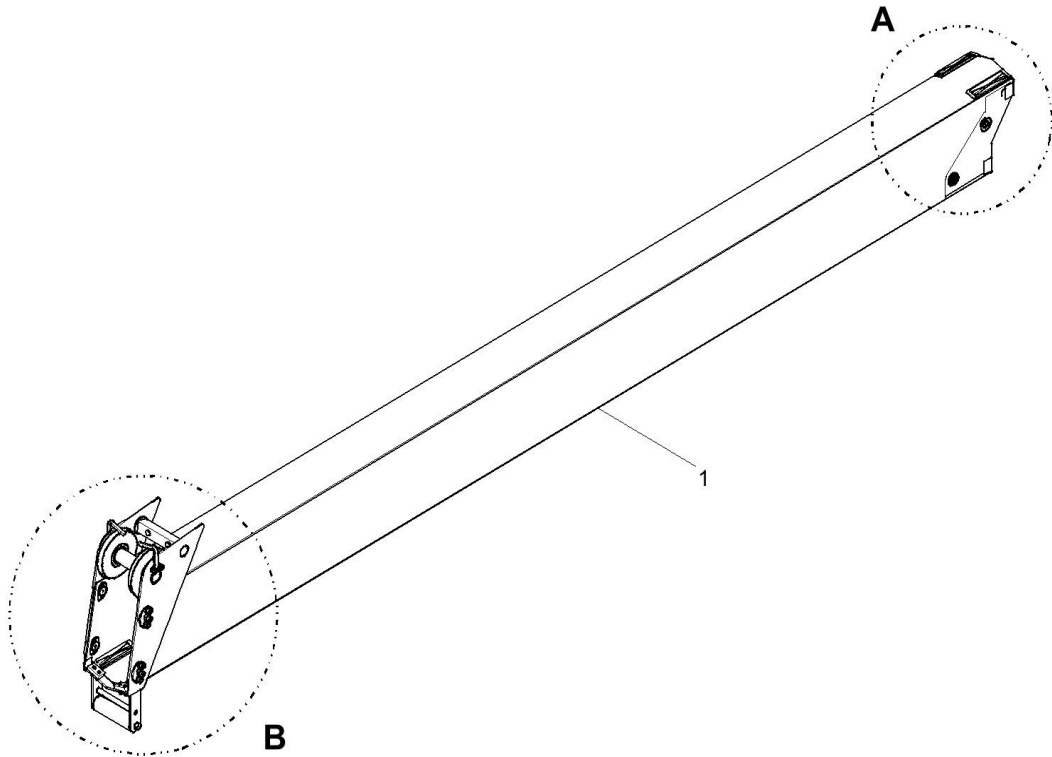


Fig. 01.040	3RD BOOM ASSY
HLC-8026A	LB310-0004

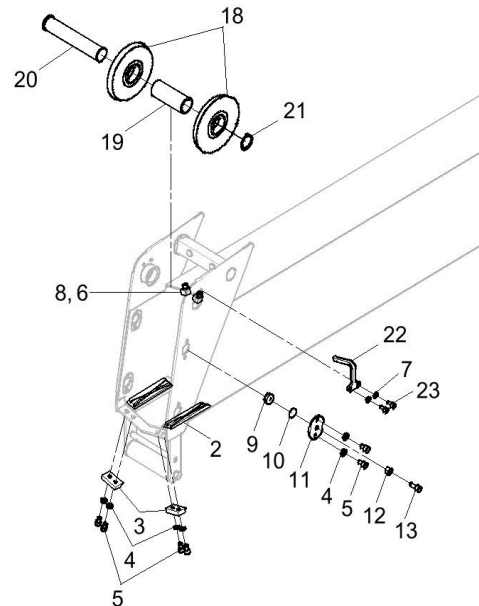
Item	Part Number	Part Name	Qty	See Fig.	Remarks
1	LB313-0001	3RD BOOM STRUCTURE	1		
2	LB118-0001	SLIDE PAD	4		
3	LB118-0019	PAD STOPPER	2		
4	S5100603	SPRING WASHER	12		D10-ZPC3
5	S2311673	SOCKET BOLT	12		
6	LB118-0020	SPACER	2		
7	S5100503	SPRING WASHER	2		D8-ZPC3
8	S2308473	SOCKET BOLT	2		
9	LB318-0006	SHAFT	4		
10	LB118-0017	PLATE	4		
11	LB118-0018	COVER	4		
12	S4010603	HEX NUT	4		M10x1.5-Sty.1-ZPC3
13	S2312073	SOCKET BOLT	4		
14	LB318-0008	PIN	1		
15	S6510300	SNAP RING	2		

EOL

Fig. 01.050	4TH BOOM ASSY
HLC-8026A	LB310-0005



DETAIL A



DETAIL B

Fig. 01.050	4TH BOOM ASSY
HLC-8026A	LB310-0005

Item	Part Number	Part Name	Qty	See Fig.	Remarks
1	LB314-0001	4TH BOOM STRUCTURE	1		
2	LB118-0023	SLIDE PAD	4		
3	LB118-0024	PAD STOPPER	2		
4	S5100603	SPRING WASHER	12		D10-ZPC3
5	S2311673	SOCKET BOLT	12		
6	LB118-0025	SPACER	2		
7	S5100503	SPRING WASHER	6		D8-ZPC3
8	S2308473	SOCKET BOLT	2		
9	LB118-0065	SIDE PAD	4		
10	LB118-0017	PLATE	4		
11	LB118-0018	COVER	4		
12	S4010603	HEX NUT	4		M10x1.5-Sty.1-ZPC3
13	S2312073	SOCKET BOLT	4		
14	LB318-0009	PIN	2		
15	S6510280	SNAP RING (C Type)	2		D28
16	LB318-0010	SPACER	2		
17	LB318-0011	PIN	2		
18	LB118-0038	SHEAVE ASSY	2		
19	LB118-0031	SPACER	1		
20	LB318-0012	SHAFT	1		
21	S6500400	SNAP RING (C Type)	1		D40
22	LB318-0014	WIRE GUIDE	2		
23	S2308673	SOCKET BOLT	4		
EOL					

Fig. 01.060	5TH BOOM ASSY
HLC-8026A	LB310-0006

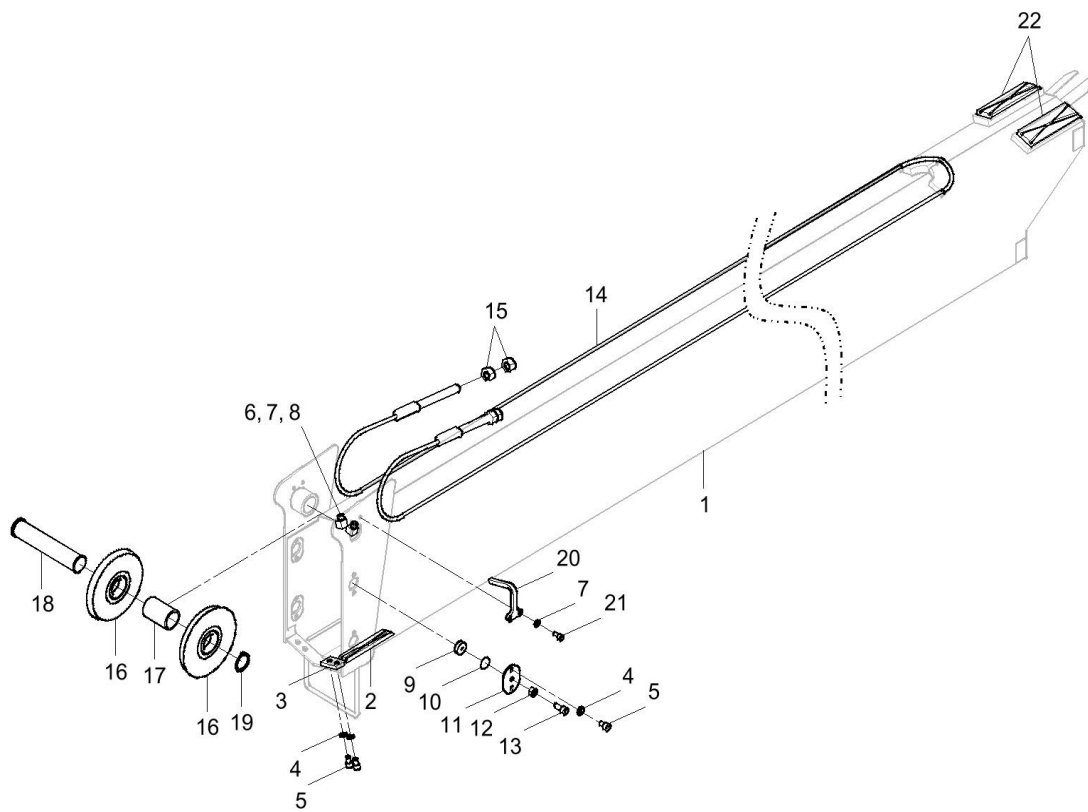


Fig. 01.060	5TH BOOM ASSY
HLC-8026A	LB310-0006

Item	Part Number	Part Name	Qty	See Fig.	Remarks
1	LB315-0001	BOOM	1		
2	LB118-0023	SLIDE PAD	2		
3	LB118-0036	PAD STOPPER	2		
4	S5100603	SPRING WASHER	12		D10-ZPC3
5	S2311673	SOCKET BOLT	12		
6	LB118-0025	SPACER	2		
7	S5100503	SPRING WASHER	6		D8-ZPC3
8	S2308473	SOCKET BOLT	2		
9	LB118-0065	SIDE PAD	4		
10	LB118-0017	PLATE	4		
11	LB118-0018	COVER	4		
12	S4010603	HEX NUT	4		M10x1.5-Sty.1-ZPC3
13	S2312073	SOCKET BOLT	4		
14	LB118-0028	EXTENSION WIRE	1		
15	S4011003	HEX NUT	4		
16	LB118-0038	SHEAVE ASSY	2		
17	LB118-0040	SPACER	1		
18	LB318-0015	SHAFT	1		
19	S6500400	SNAP RING (C Type)	1		D40
20	LB318-0014	WIRE GUIDE	2		
21	S2308673	SOCKET BOLT	4		
22	LB118-0066	SLIDE PAD	2		

EOL

Fig. 01.070	6TH BOOM ASSY
HLC-8026A	LB310-0007

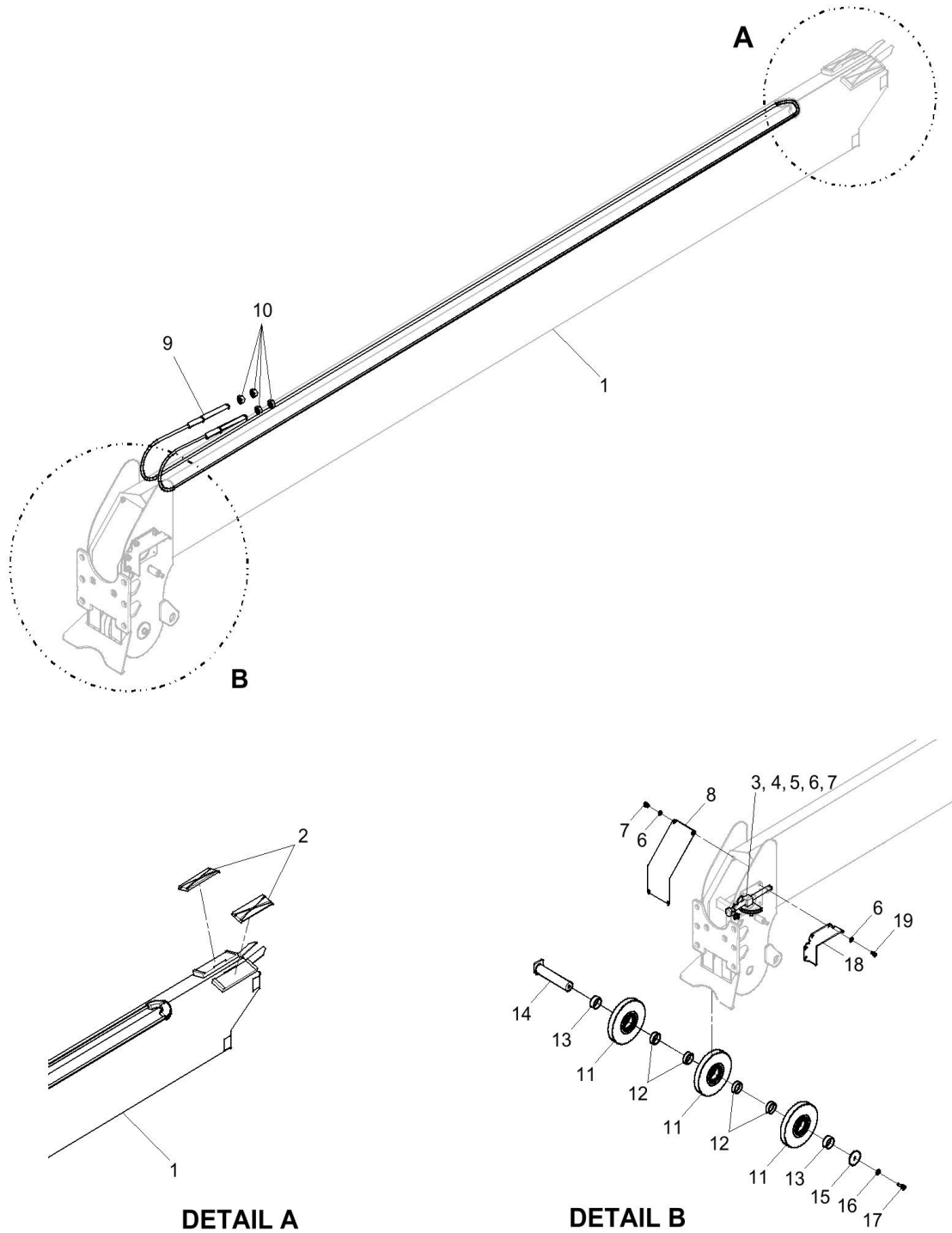


Fig. 01.070	6TH BOOM ASSY
HLC-8026A	LB310-0007

Item	Part Number	Part Name	Qty	See Fig.	Remarks
1	LB316-0001	BOOM	1		
2	LB118-0066	SLIDE PAD	2		
3	LB118-0044	SHEAVE	1		
4	LB118-0048	HEX BOLT	1		
5	LB118-0049	STOPPER	1		
6	S5100503	SPRING WASHER	9		D8-ZPC3
7	S2308673	SOCKET BOLT	5		
8	LB118-0050	COVER	1		
9	LB118-0037	EXTENSION WIRE	1		
10	S4010903	HEX NUT	4		M16x2-Sty.1-ZPC3
11	LB118-0051	SHEAVE ASSY	3		
12	LB318-0021	SPACER	4		
13	LB318-0017	SPACER	2		
14	LB318-0018	SHAFT	1		
15	LB118-0057	PLATE	1		
16	S5100603	SPRING WASHER	1		D10-ZPC3
17	S2312073	SOCKET BOLT	1		
18	LB118-0058	BRACKET	1		
19	S2308473	SOCKET BOLT	4		
EOL					

Fig. 01.080	TELESCOPE CYLINDER ASSY
HLC-8026A	LB310-0008

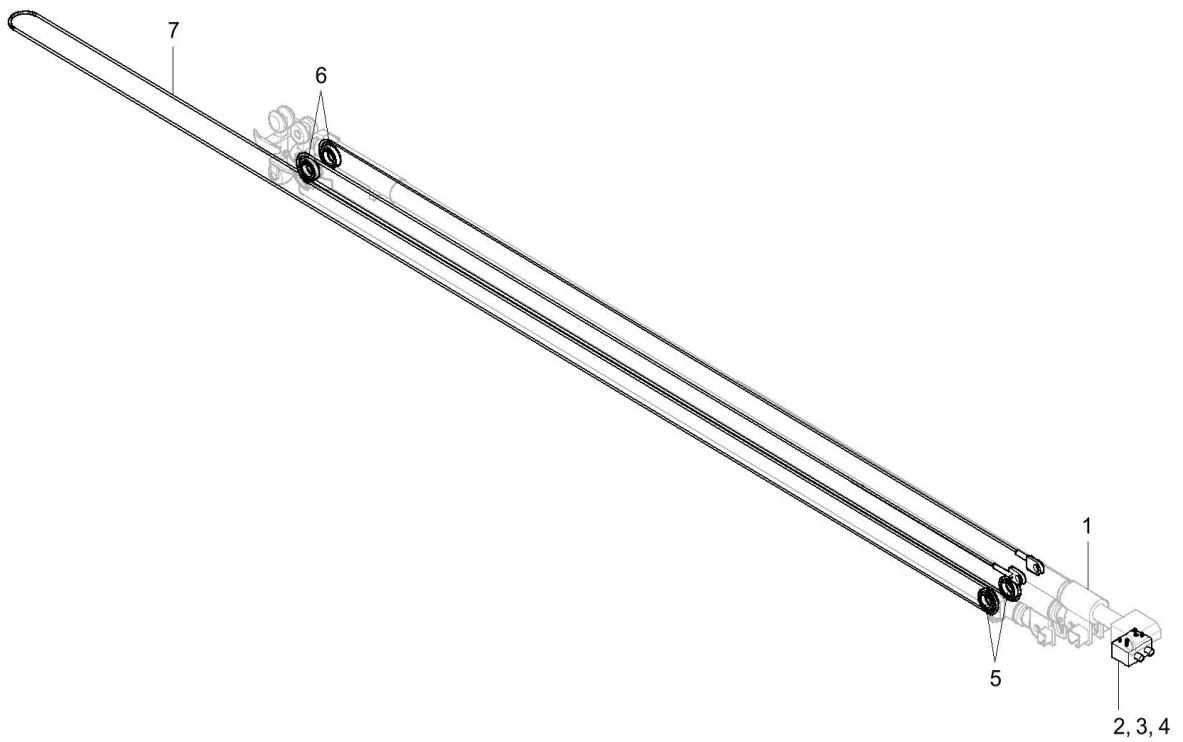


Fig.	01.080	TELESCOPE CYLINDER ASSY
	HLC-8026A	LB310-0008

Item	Part Number	Part Name	Qty	See Fig.	Remarks
1	LB371-0001	TELESCOPE CYLINDER	1		
2	LB371-0004	OVER CENTER VALVE	1		
3	S5100303	SPRING WASHER	4		D6-ZPC3
4	S0153973	HEX BOLT	4		
5	LB118-0059	SHEAVE ASSY	2		
6	LB118-0061	SHEAVE ASSY	2		
7	LB318-0020	RETRACTION WIRE	1		

EOL

Fig. 02.010	BODY ASSY
HLC-8026A	LB301-0003

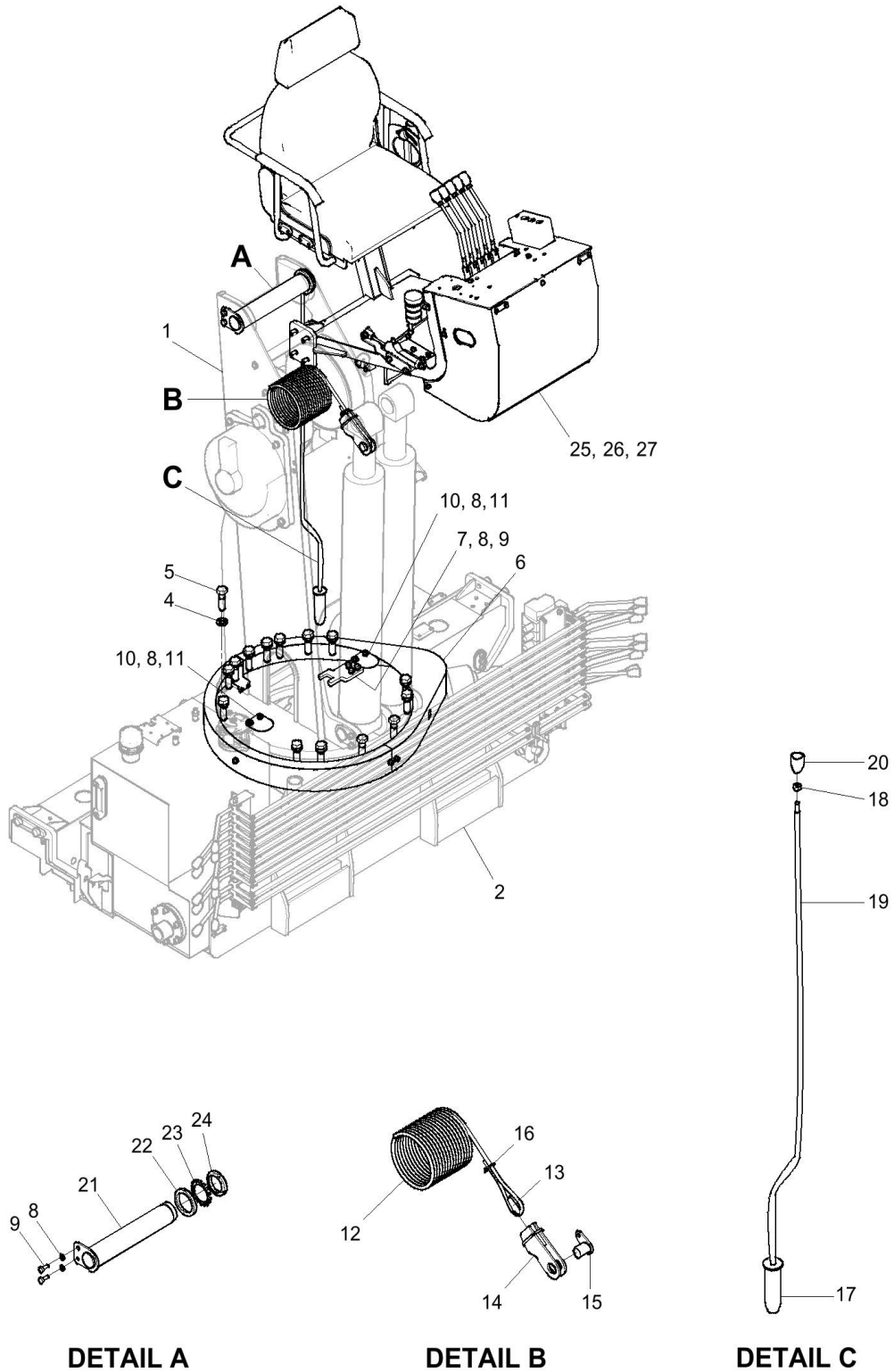


Fig. 02.010	BODY ASSY
HLC-8026A	LB301-0003

Item	Part Number	Part Name	Qty	See Fig.	Remarks
1	LB320-0001	POST ASSY	1	02.020	
2	LB330-0001	FRAME ASSY	1	02.030	
3	LB350-0002	PIPING ASSY	1		
4	S5103203	SPRING WASHER	13		
5	S0172570	HEX BOLT	15		
6	LB308-0001	COVER ASSY	1		
7	LB108-0007	STOPPER	1		
8	S5102603	SPRING WASHER	9		D10-ZPC3
9	S0112063	HEX BOLT	5		M10x1.5-L25-FULL-ZPC3
10	LB108-0008	COVER	2		
11	S0108663	HEX BOLT	4		M8x1.25-L16-FULL-ZPC3
12	LB108-0009	WIRE ROPE	1		
13	LB108-0010	WEDGE	1		
14	LB108-0011	OPEN SOCKET	1		
15	LB108-0016	OPEN SOCKET PIN	1		
16	LB108-0026	WIRE CLIP	1		
17	LB108-0019	PIN	1		
18	S4012643	HEX NUT	1		M10x1.5-Sty.2-ZPC3
19	LB108-0020	ROD	1		
20	LB122-0011	KNOB	1		
21	LB208-0009	SHAFT(POSTxDERRICK)	1		
22	LB208-0011	PLATE	1		
23	S6270120	ROLLING BEARING WASHER(#AW)	1		D60
24	S6260120	BEARING LOCKNUT (#AN)	1		M60x2
25	LB322-0002	TOP SEAT ASSY	1	02.090	
26	S5102703	SPRING WASHER	4		D12-ZPC3
27	S0160663	HEX BOLT	4		M12x1.75-L45-ZPC3

EOL

Fig. 02.020	POST ASSY
HLC-8026A	LB320-0001

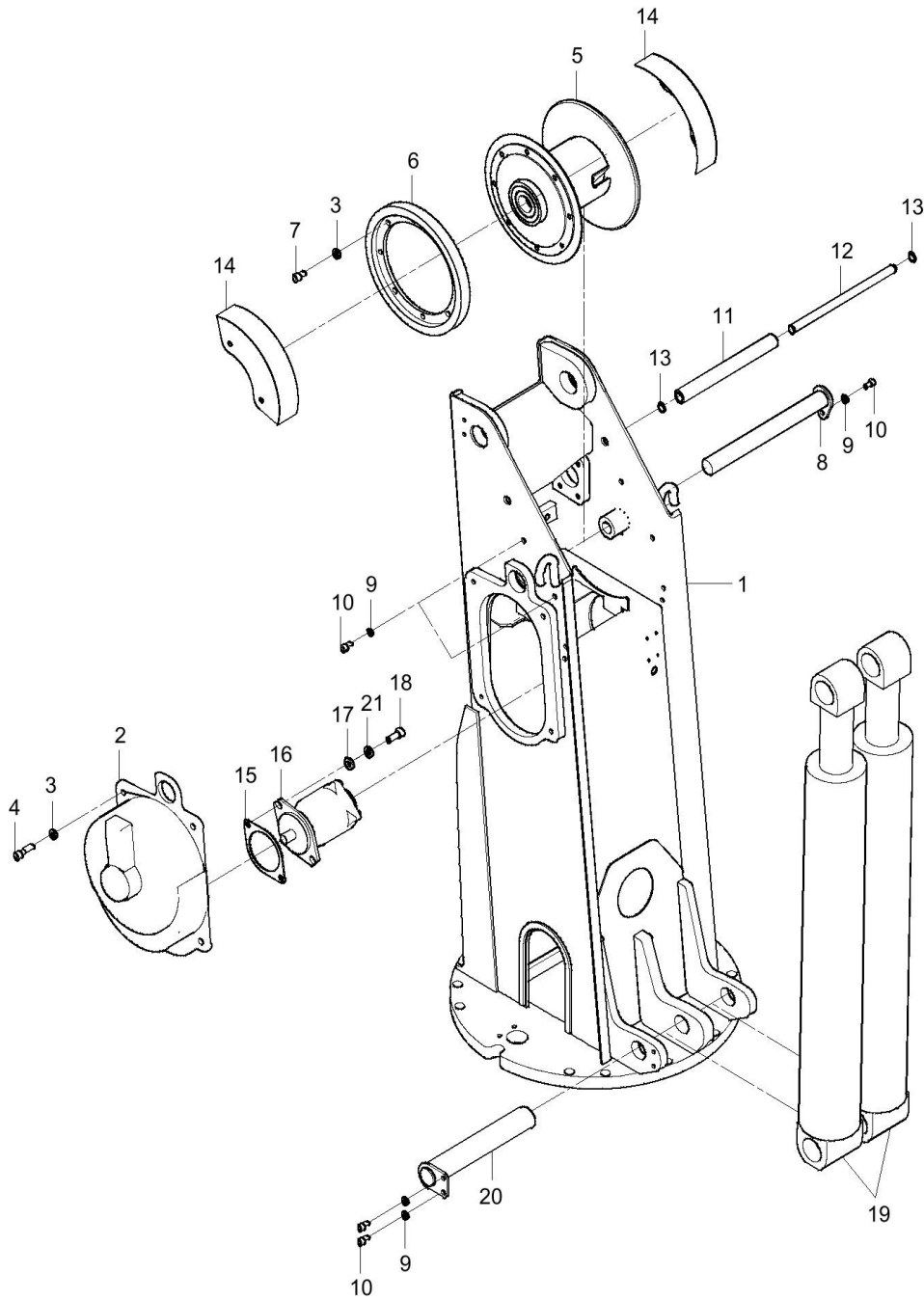


Fig.	02.020	POST ASSY
	HLC-8026A	LB320-0001

Item	Part Number	Part Name	Qty	See Fig.	Remarks
1	LB321-0001	POST STRUCTURE	1		
2	LB271-0001	WINCH ASSY	1		
3	S5102703	SPRING WASHER	12		D12-ZPC3
4	S2215573	SOCKET BOLT	4		
5	LB128-0001	WINCH DRUM	1		
6	LB271-0002	GEAR RING	1		
7	S2214873	SOCKET BOLT	8		M12x1.75-L20-ZPC3
8	LB228-0001	DRUM SHAFT	1		
9	S5102603	SPRING WASHER	7		D10-ZPC3
10	S2211873	SOCKET BOLT	7		
11	LB228-0003	ROLLER ASSY	1		
12	LB228-0005	ROLLER PIN	1		
13	S6500200	SNAP RING (C Type)	2		D20
14	LB228-0006	COVER	2		
15	LB128-0021	GASKET	1		
16	LB171-0005	WINCH MOTOR	1		
17	S5000803	PLAIN WASHER	2		D14-ZPC3
18	S2218373	SOCKET BOLT	2		
19	LB371-0005	DERRICK CYLINDER	2		
20	LB228-0008	SHAFT(POSTxDERRICK)	1		
21	S5102803	SPRING WASHER	2		D14-ZPC3

EOL

Fig. 02.030	FRAME ASSY
HLC-8026A	LB330-0001

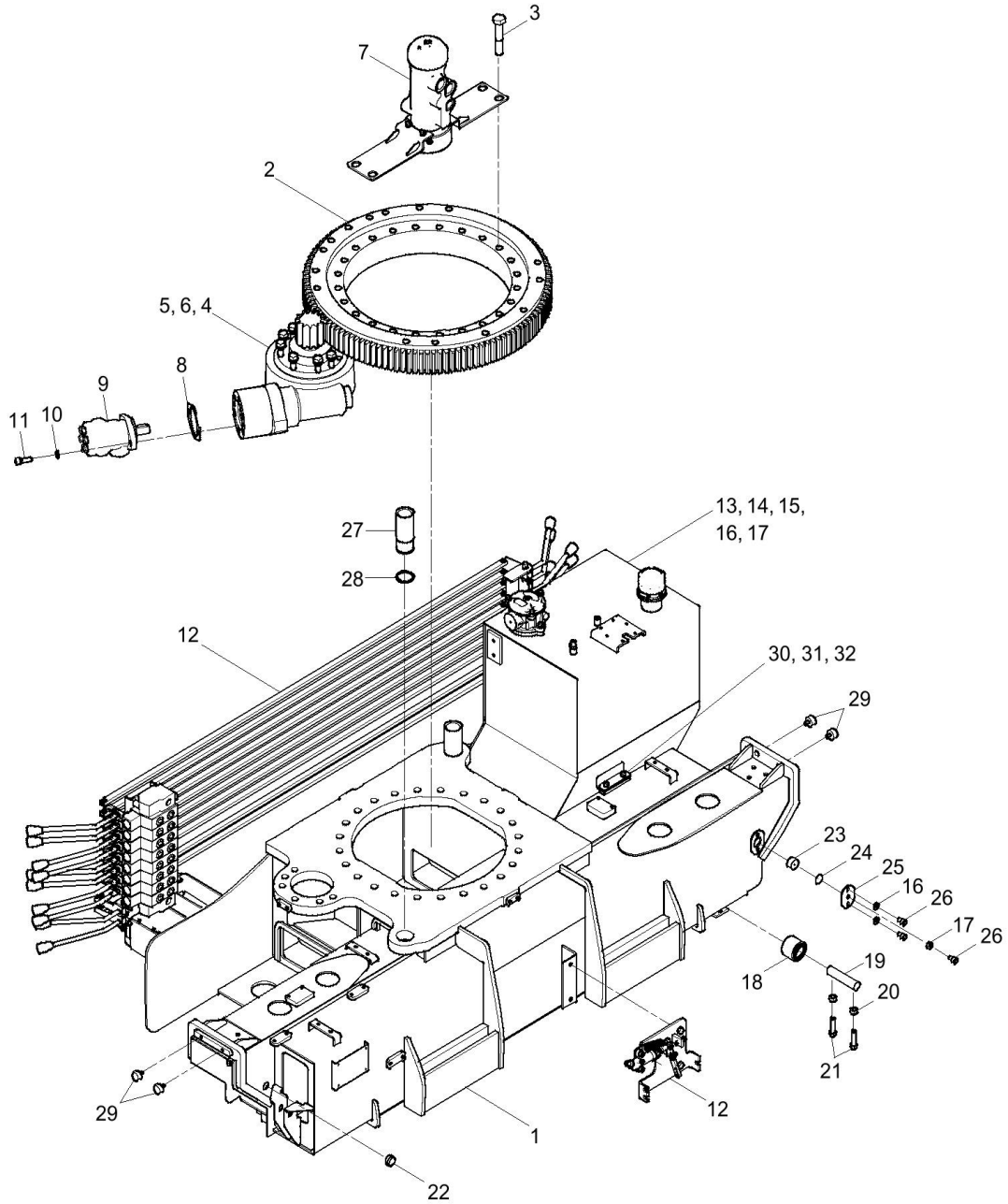


Fig.	02.030	FRAME ASSY
	HLC-8026A	LB330-0001

Item	Part Number	Part Name	Qty	See Fig.	Remarks
1	LB331-0001	FRAME STRUCTURE	1		
2	LB371-0007	SLEWING BEARING	1		
3	S0173370	HEX BOLT	24		
4	LB171-0015	SLEWING R/G SET	1		
5	S0165263	HEX BOLT	6		M16x2-L50-ZPC3
6	S5102903	SPRING WASHER	6		D16-ZPC3
7	LB338-0001	ROTARY JOINT ASSY	1	02.040	
8	LB138-0005	GASKET	1		
9	LB171-0017	SLEWING MOTOR	1		
10	S5102703	SPRING WASHER	2		D12-ZPC3
11	S2215373	SOCKET BOLT	2		
12	LB132-0001	OPERATION MTG	1	02.050	
13	LB332-0001	OIL TANK	1	02.080	
14	S5000603	PLAIN WASHER	2		D10-ZPC3
15	S0112063	HEX BOLT	2		M10x1.5-L25-FULL-ZPC3
16	S5102603	SPRING WASHER	6		D10-ZPC3
17	S4012643	HEX NUT	4		M10x1.5-Sty.2-ZPC3
18	LB138-0017	ROLLER ASSY	2		
19	LB138-0020	ROLLER PIN	2		
20	S4012743	HEX NUT	4		M12x1.75-Sty.2-ZPC3
21	S0115663	HEX BOLT	4		M12x1.75-L50-FULL-ZPC3
22	LB138-0021	PAD	2		
23	LB138-0022	PAD	2		
24	LB118-0017	PLATE	2		
25	LB118-0018	COVER	2		
26	S2211673	SOCKET BOLT	6		
27	LB138-0023	BOSS	2		
28	S6500500	SNAP RING (C Type)	2		D50
29	LB338-0005	DAMPER	4		
30	LB338-0006	PLATE	2		
31	S5102503	SPRING WASHER	4		D8-ZPC3
32	S0108863	HEX BOLT	4		M8x1.25-L20-FULL-ZPC3

EOL

Fig. 02.040	ROTARY JOINT ASSY
HLC-8026A	LB338-0001

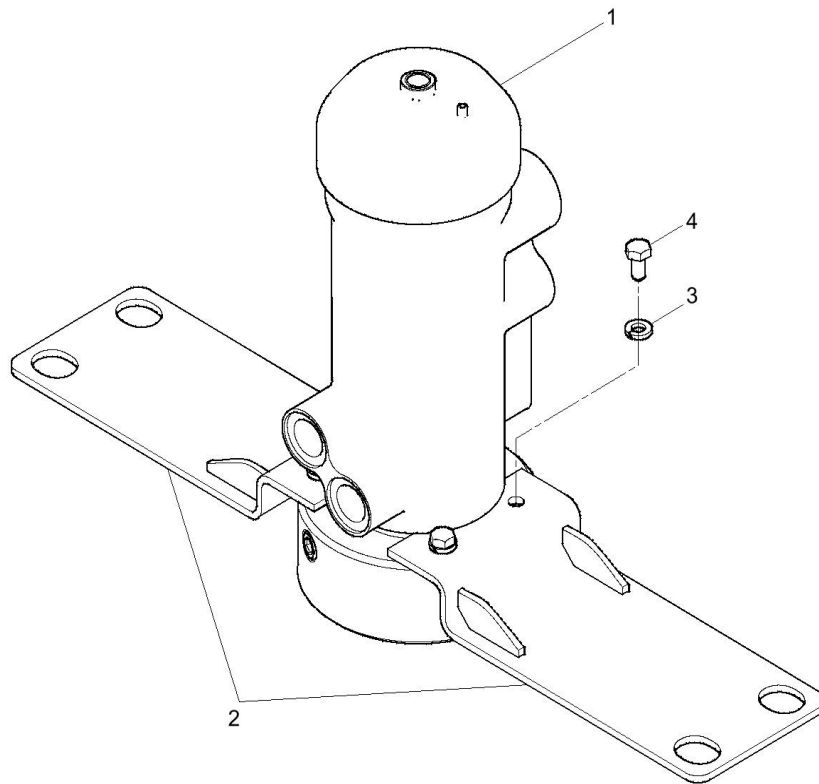


Fig. 02.040	ROTARY JOINT ASSY
HLC-8026A	LB338-0001

Item	Part Number	Part Name	Qty	See Fig.	Remarks
1	LB171-0013	ROTARY JOINT	1		
2	LB338-0002	BRACKET	2		
3	S5102503	SPRING WASHER	4		D8-ZPC3
4	S0108663	HEX BOLT	4		M8x1.25-L16-FULL-ZPC3
EOL					

Fig. 02.050	OPERATION MTG
HLC-8026A	LB132-0001

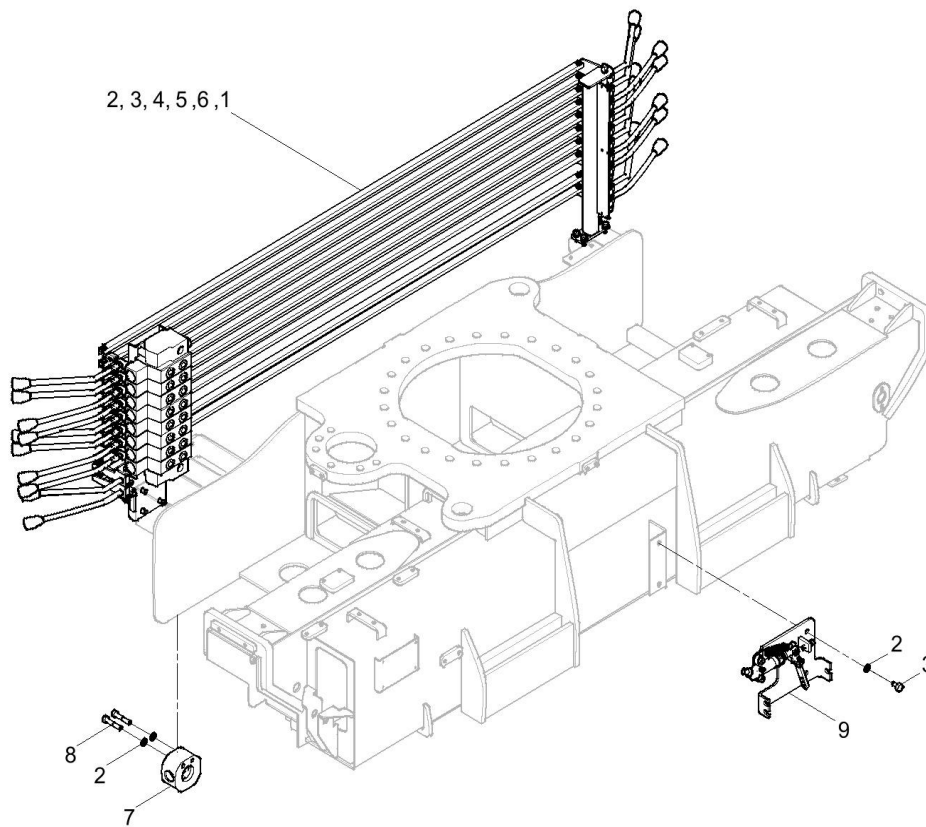


Fig. 02.050	OPERATION MTG
HLC-8026A	LB132-0001

Item	Part Number	Part Name	Qty	See Fig.	Remarks
1	LB132-0002	OPERATION SET	1	02.060	
2	S5102603	SPRING WASHER	8		D10-ZPC3
3	S0111863	HEX BOLT	6		M10x1.5-L20-FULL-ZPC3
4	S5100503	SPRING WASHER	4		D8-ZPC3
5	S5102503	SPRING WASHER	4		D8-ZPC3
6	S0108863	HEX BOLT	4		M8x1.25-L20-FULL-ZPC3
7	LB171-0019	VALVE	1		
8	S2212673	SOCKET BOLT	2		
9	LB133-0001	ACCEL SYSTEM	1	02.070	
10	LB132-0047	ACCEL CABLE ASSY	1		

EOL

Fig. 02.060	OPERATION SET
HLC-8026A	LB132-0002

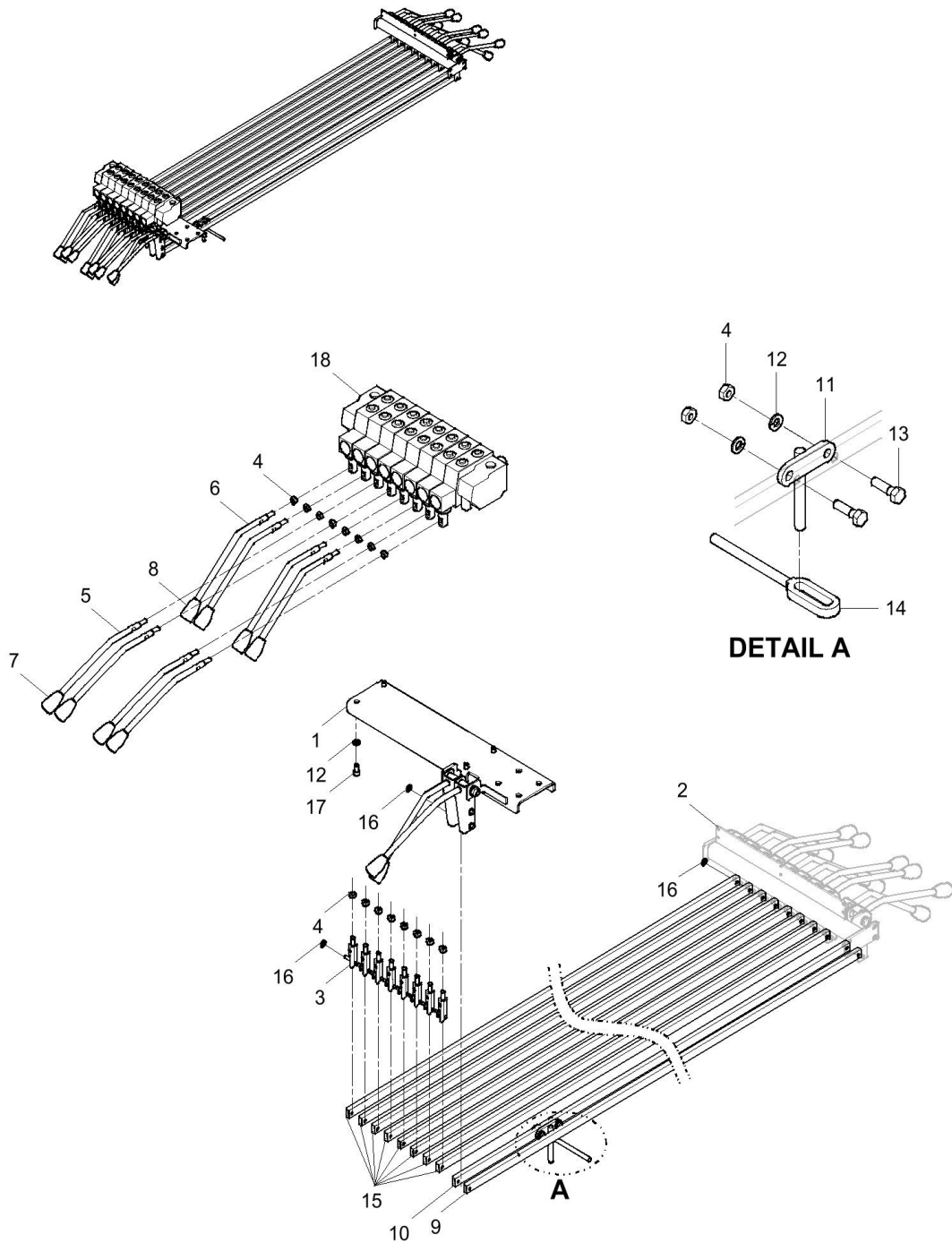


Fig. 02.060	OPERATION SET
HLC-8026A	LB132-0002

Item	Part Number	Part Name	Qty	See Fig.	Remarks
1	LB132-0003	VALVE STAND SET	1		
2	LB132-0020	LEVER STAND SET	1		
3	LB132-0034	CONNECTOR	8		
4	S4012543	HEX NUT	18		M8x1.25-Sty.2-ZPC3
5	LB132-0035	ROUND BAR	4		
6	LB132-0036	ROUND BAR	4		
7	LB132-0018	KNOB	4		
8	LB132-0019	KNOB	4		
9	LB132-0037 A	CONTROL	1		
10	LB132-0038	CONTROL	1		
11	LB132-0039	LINK PIN	1		
12	S5102503	SPRING WASHER	6		D8-ZPC3
13	S0155963	HEX BOLT	2		M8x1.25-L30-ZPC3
14	LB132-0042	DIVERTER LINK	1		
15	LB132-0045	CONTROL	8		
16	LB132-0046	BACK WASHER	20		
17	S2208673	SOCKET BOLT	4		
18	LB171-0018	VALVE	1		
EOL					

Fig. 02.070	ACCEL SYSTEM
HLC-8026A	LB133-0001

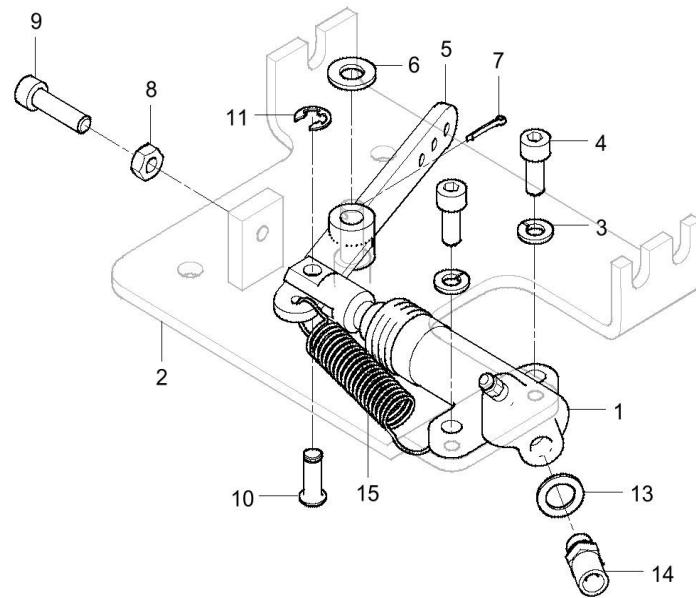


Fig. 02.070	ACCEL SYSTEM
HLC-8026A	LB133-0001

Item	Part Number	Part Name	Qty	See Fig.	Remarks
1	LB171-0027	RELEASE CYLINDER	1		
2	LB133-0002	ACCEL BRACKET	1		
3	S5100503	SPRING WASHER	2		D8-ZPC3
4	S2308873	SOCKET BOLT	2		
5	LB133-0006	LINK	1		
6	S5000603	PLAIN WASHER	1		D10-ZPC3
7	S5735350	SPLIT PIN	1		
8	S4012543	HEX NUT	1		M8x1.25-Sty.2-ZPC3
9	S2309273	SOCKET BOLT	1		
10	LB133-0010	PIN	1		
11	S6540800	RETAINING RING	1		D16
13	LW2858102	BONDED SEAL	1		
14	LB133-0012	HOSE ADAPTER	1		
15	LB133-0011	SPRING	1		

EOL

Fig. 02.080	OIL TANK
HLC-8026A	LB332-0001

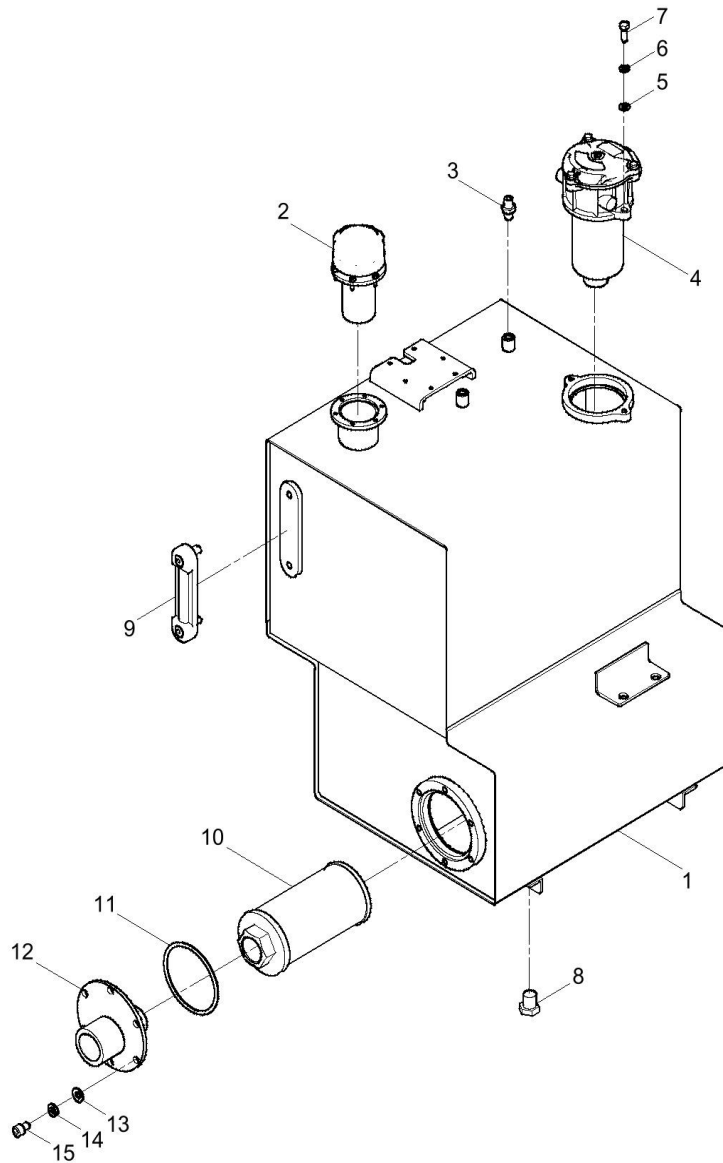


Fig. 02.080	OIL TANK
HLC-8026A	LB332-0001

Item	Part Number	Part Name	Qty	See Fig.	Remarks
1	LB332-0002	OIL TANK	1		
2	LB138-0006	BREATHER	1		
3	LW271-0001	HOSE ADAPTER	1		
4	LR171-0024	RETURN FILTER	1		
5	S5000503	PLAIN WASHER	2		D8-ZPC3
6	S5102503	SPRING WASHER	2		D8-ZPC3
7	S0155763	HEX BOLT	2		M8x1.25-L25-ZPC3
8	LB138-0016	HOLLOW HEX PLUG	1		
9	LB138-0007	OIL LEVELGUAGE	1		
10	LB138-0009	SUCTION STRAINER	1		
11	S8001051	O-RING	1		P103-1B
12	LB138-0010	SUCTION FLANGE	1		
13	S5000603	PLAIN WASHER	6		D10-ZPC3
14	S5102603	SPRING WASHER	6		D10-ZPC3
15	S2211673	SOCKET BOLT	6		

EOL

Fig. 02.090	TOP SEAT ASSY
HLC-8026A	LB322-0002

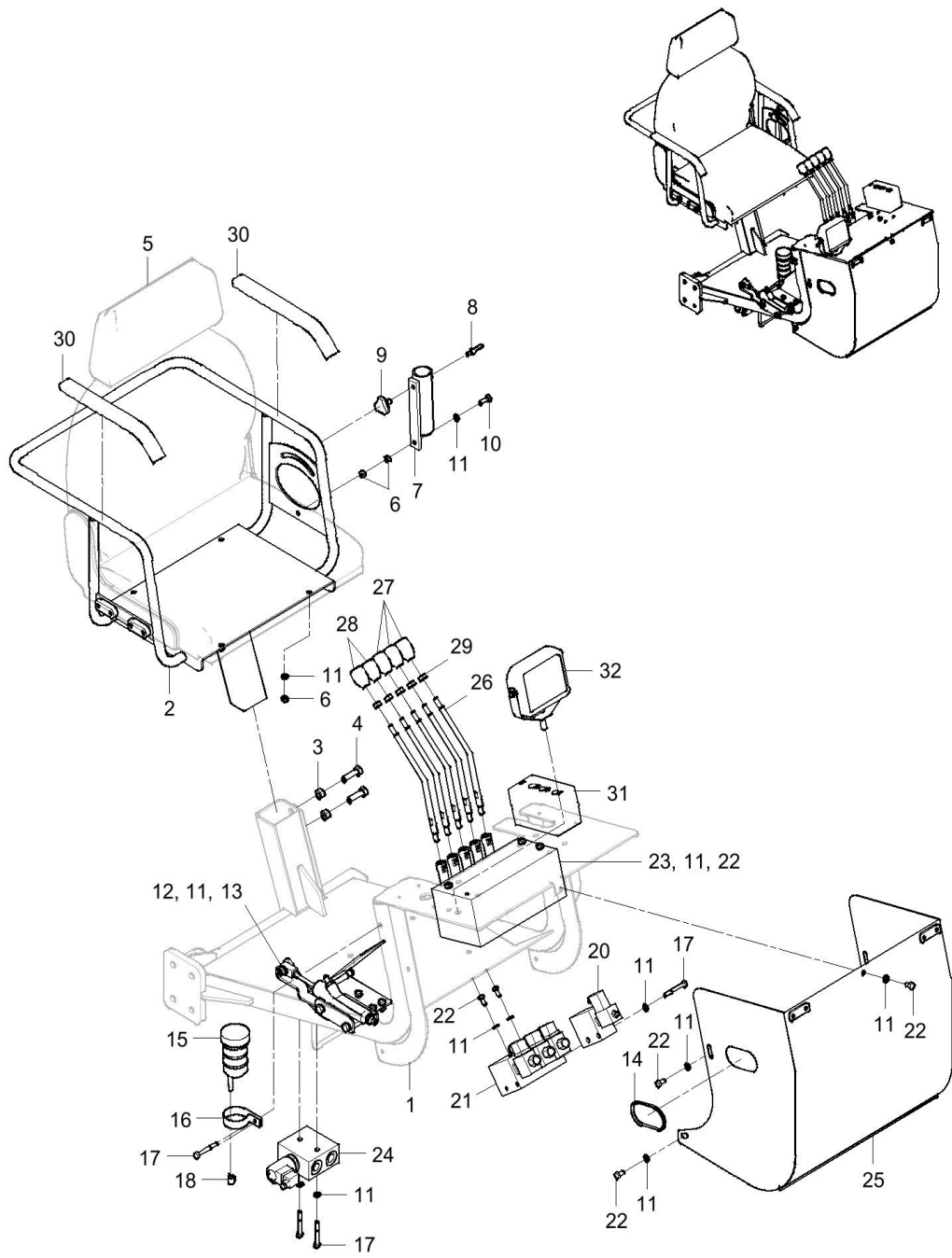


Fig.	02.090	TOP SEAT ASSY
	HLC-8026A	LB322-0002

Item	Part Number	Part Name	Qty	See Fig.	Remarks
1	LB123-0001	TOP SEAT STRUCTURE	1		
2	LB123-0023	SEAT STRUCTURE	1		
3	S4012743	HEX NUT	2		M12x1.75-Sty.2-ZPC3
4	S0115563	HEX BOLT	2		M12x1.75-L45-FULL-ZPC3
5	LB122-0002	SEAT	1		
6	S4012543	HEX NUT	9		M8x1.25-Sty.2-ZPC3
7	LB123-0046	HOLDER	1		
8	S3140013	EYE BOLT	1		M8x1.25-L15-ZPC3
9	LB122-0003	BOLT	1		
10	S0109063	HEX BOLT	1		M8x1.25-L25-FULL-ZPC3
11	S5100503	SPRING WASHER	22		D8-ZPC3
12	LB123-0034	ACCEL PEDAL ASSY	1	02.100	
13	S0108863	HEX BOLT	3		M8x1.25-L20-FULL-ZPC3
14	LB122-0004	PACKING	2		
15	LB122-0005	OIL TANK	1		
16	LB122-0006	BAND	1		
17	S0156563	HEX BOLT	5		
18	LB122-0007	HOSE CLAMP	1		
19	LB122-0008	TUBE	1		
20	LB171-0012	VALVE	1		
21	LB171-0011	VALVE	1		
22	S0108663	HEX BOLT	10		M8x1.25-L16-FULL-ZPC3
23	LB371-0006	MAIN CONTROL VALVE	1		
24	LB171-0010	VALVE	1		
25	LB123-0030	TOP SEAT COVER	1		
26	LB322-0005	ROD	5		
27	LB122-0010	KNOB	3		
28	LB122-0011	KNOB	2		
29	S4012643	HEX NUT	5		M10x1.5-Sty.2-ZPC3
30	LB122-0012	TOP SEAT ARMREST	2		
31	LB180-0008	JUNCTION BOX	1		
32	LB180-0009	WORKING LAMP	1		

EOL

Fig. 02.100	ACCEL PEDAL ASSY
HLC-8026A	LB123-0034

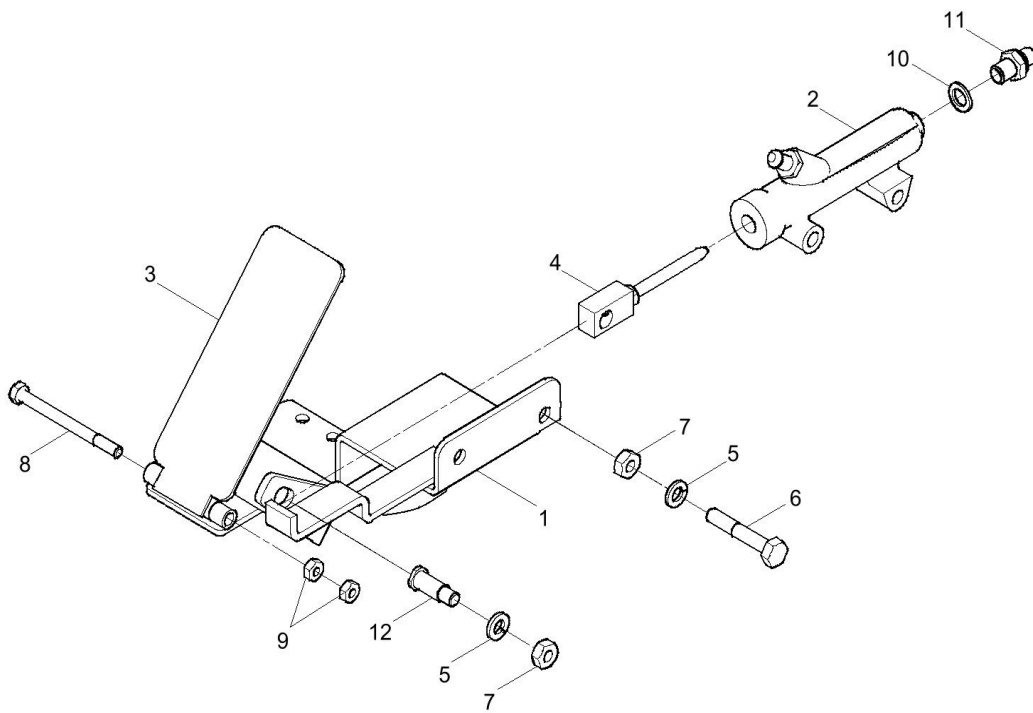


Fig. 02.100	ACCEL PEDAL ASSY
HLC-8026A	LB123-0034

Item	Part Number	Part Name	Qty	See Fig.	Remarks
1	LB123-0035	PEDAL BRACKET	1		
2	LB171-0026	MASTER CYLINDER	1		
3	LB123-0038	PEDAL	1		
4	LB123-0042	LINK ASSY	1		
5	S5102603	SPRING WASHER	3		D10-ZPC3
6	S0158763	HEX BOLT	2		M10x1.5-L60-ZPC3
7	S4012643	HEX NUT	3		M10x1.5-Sty.2-ZPC3
8	S0157253	HEX BOLT	1		
9	S4012543	HEX NUT	2		M8x1.25-Sty.2-ZPC3
10	LW2858102	BONDED SEAL	1		
11	LB123-0045	HOSE ADAPTER	1		
12	LB123-0051	PIN	1		

EOL

Fig. 03.010	MAIN OUTRIGGER ASSY
HLC-8026A	LB340-0001

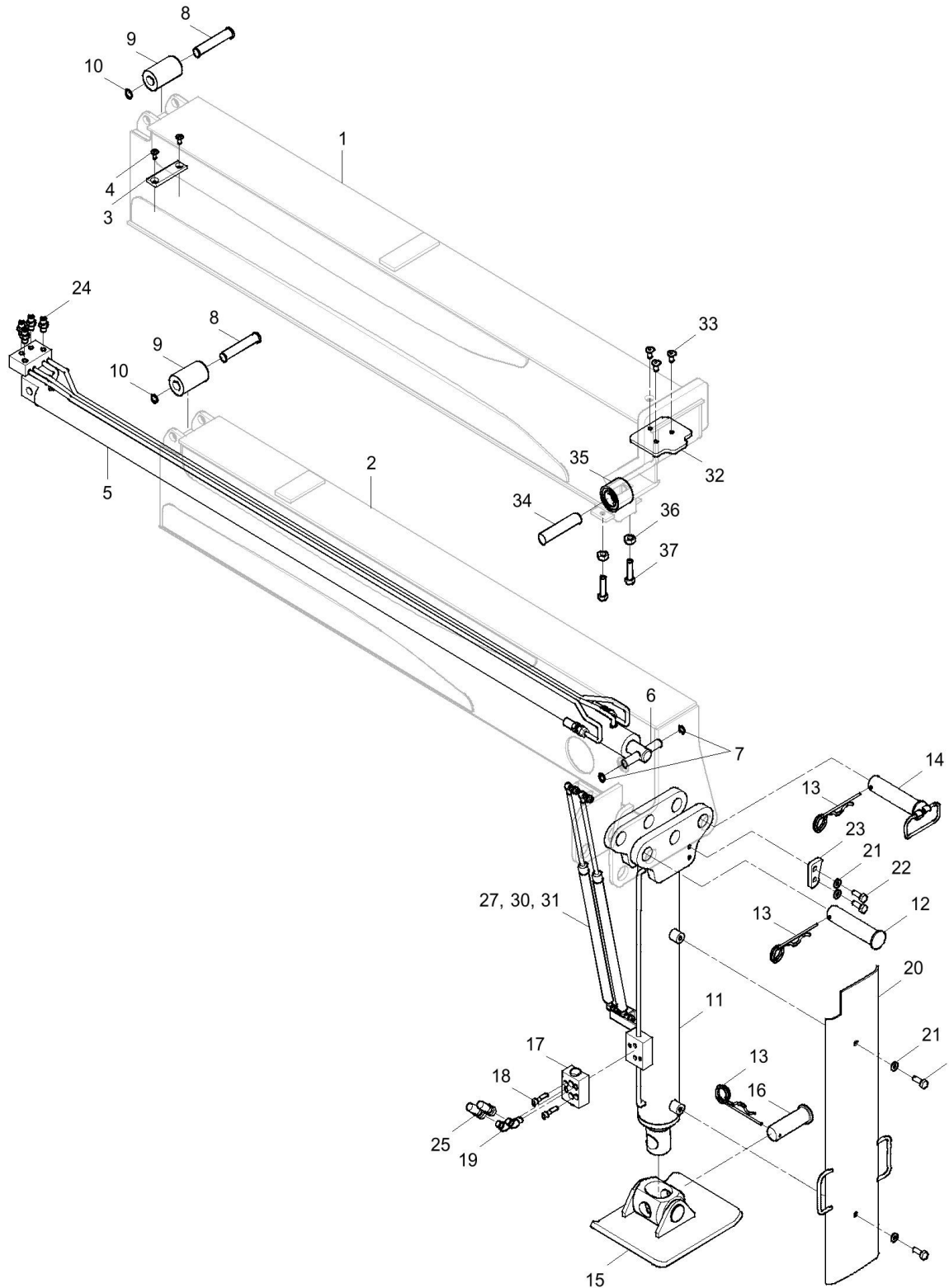


Fig. 03.010	MAIN OUTRIGGER ASSY
HLC-8026A	LB340-0001

Item	Part Number	Part Name	Qty	See Fig.	Remarks
1	LB341-0001	OUTRIGGER BEAM	1		
2	LB341-0012	OUTRIGGER STRUCTURE	1		
3	LB148-0001	SLIDE PLATE	1		
4	S3453098	FLAT HEAD SCREW	2		
5	LB371-0008	MAIN SIDE SHIFT CYLINDER	1		
6	LB348-0001	PIN	1		
7	S6510180	SNAP RING	2		
8	LB148-0003	PIN	2		
9	LB148-0004	ROLLER	2		
10	S6510200	SNAP RING (C Type)	2		D20
11	LB271-0006	MAIN JACK CYLINDER	1		
12	LB148-0005	PIN	1		
13	HT7170053	R-PIN	3		D5xL145-ZPC3
14	LB148-0006	PIN	1		
15	LB141-0020	OUTRIGGER SHOE	1		
16	LB148-0009	PIN	1		
17	LB171-0022	PILOT CHECK VALVE	1		
18	S2209373	SOCKET BOLT	2		
19	LW271-1600	HOSE ADAPTER	2		
20	LB148-0010	COVER	1		
21	S5102603	SPRING WASHER	4		D10-ZPC3
22	S0158163	HEX BOLT	4		M10x1.5-L30-ZPC3
23	LB148-0024	PLATE	1		
24	LW271-0001	HOSE ADAPTER	4		
25	LW551-0450	HOSE	2		
26	LB148-0025	HOSE COVER	1		
27	LB148-0013	GAS SPRING	2		
28	LB148-0026	CORRUGATE TUBE	2		
29	LB148-0027	RUBBER CAP	2		
30	S5102503	SPRING WASHER	4		D8-ZPC3
31	S4012543	HEX NUT	4		M8x1.25-Sty.2-ZPC3
32	LB348-0002	STOPPER	1		
33	S3091160	FLAT HEAD BOLT	3		
34	LB138-0020	ROLLER PIN	1		
35	LB138-0017	ROLLER ASSY	1		
36	S4012843	HEX NUT	2		M14x2-Sty.2-ZPC3
37	S0115663	HEX BOLT	2		M12x1.75-L50-FULL-ZPC3

EOL

Fig.

04.010

REAR OUTRIGGER ASSY

HLC-8026A

LB140-0002

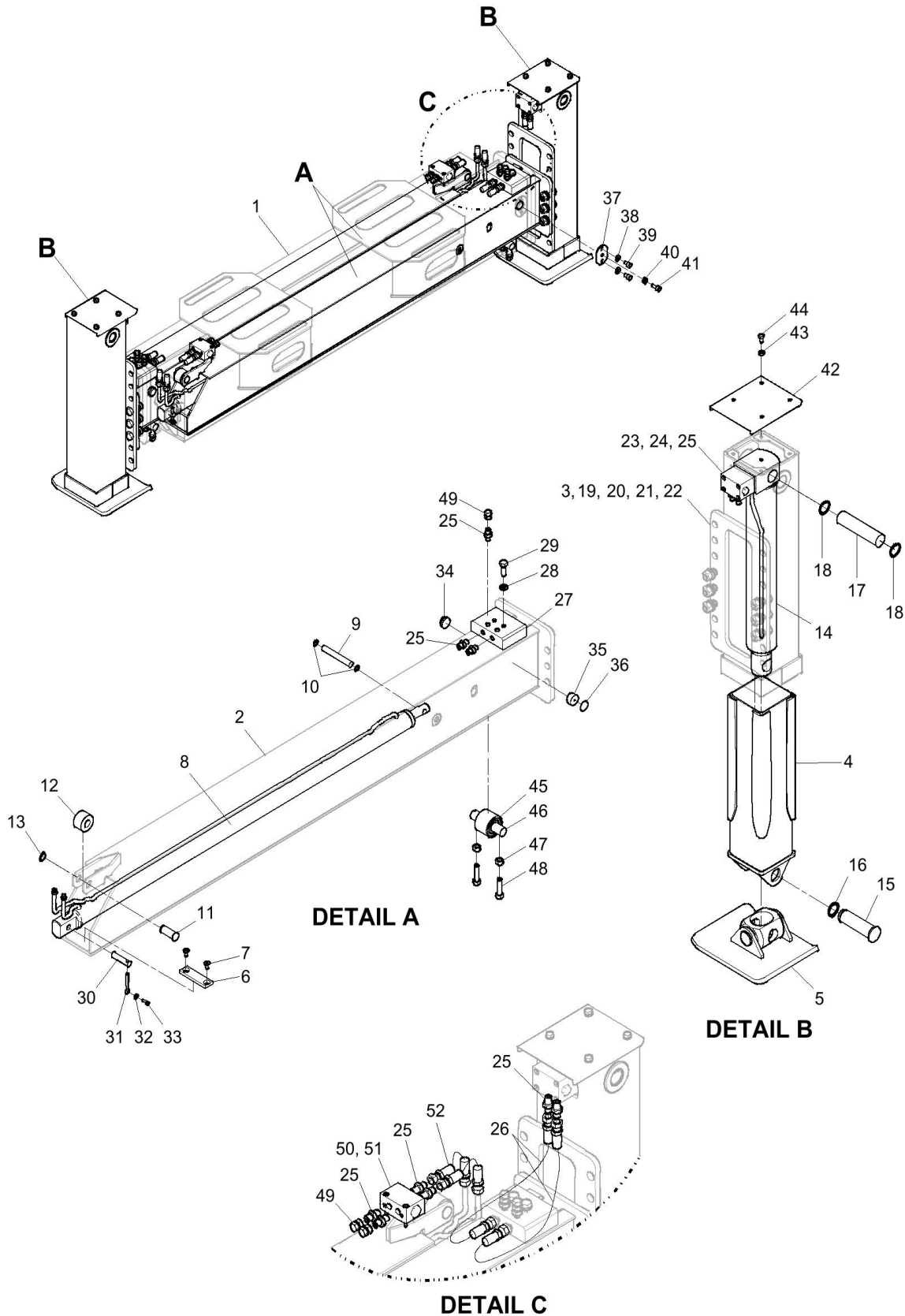


Fig.	04.010	REAR OUTRIGGER ASSY
	HLC-8026A	LB140-0002

Item	Part Number	Part Name	Qty	See Fig.	Remarks
1	LB142-0001	REAR OUTRIGGER FRAME	1		
2	LB142-0015	REAR OUTRIGGER BEAM	2		
3	LB142-0030	REAR OUTRIGGER LEG	2		
4	LB142-0040	REAR OUTRIGGER INNER	2		
5	LB141-0020	OUTRIGGER SHOE	2		
6	LB148-0001	SLIDE PLATE	2		
7	S3453098	FLAT HEAD SCREW	4		
8	LB171-0023	REAR SIDE SHIFT CYLINDER	2		
9	LB148-0014	PIN	2		
10	S6510150	SNAP RING	4		
11	LB148-0015	PIN	2		
12	LB148-0016	ROLLER	2		
13	S6500200	SNAP RING (C Type)	2		D20
14	LB171-0024	JACK CYLINDER	2		
15	LB148-0017	PIN	2		
16	S6500350	SNAP RING (C Type)	2		D35
17	LB148-0018	PIN	2		
18	S6510350	SNAP RING	4		
19	S0165263	HEX BOLT	12		M16x2-L50-ZPC3
20	S5000913	PLAIN WASHER	12		
21	S5102903	SPRING WASHER	12		D16-ZPC3
22	S4012943	HEX NUT	12		M16x2-Sty.2-ZPC3
23	LB171-0025	PILOT CHECK VALVE	2		
24	S2209873	SOCKET BOLT	8		
25	LW271-0001	HOSE ADAPTER	20		
26	LW551-3700	OIL HOSE	4		
27	LB148-0019	BLOCK	2		
28	S5102703	SPRING WASHER	4		D12-ZPC3
29	S0160463	HEX BOLT	4		M12x1.75-L35-ZPC3
30	LB148-0020	PIN	2		
31	S5736031	SPLIT PIN	2		D8-L45-ZPC3
32	S5102303	SPRING WASHER	2		D6-ZPC3
33	S2204673	SOCKET BOLT	2		
34	LB148-0021	SLIDE PLATE	2		
35	LB148-0022	SLIDE PLATE	2		
36	LB118-0017	PLATE	2		
37	LB118-0018	COVER	2		
38	S5102603	SPRING WASHER	4		D10-ZPC3
39	S2211673	SOCKET BOLT	4		
40	S4012643	HEX NUT	2		M10x1.5-Sty.2-ZPC3

Fig.

04.010

REAR OUTRIGGER ASSY

HLC-8026A

LB140-0002

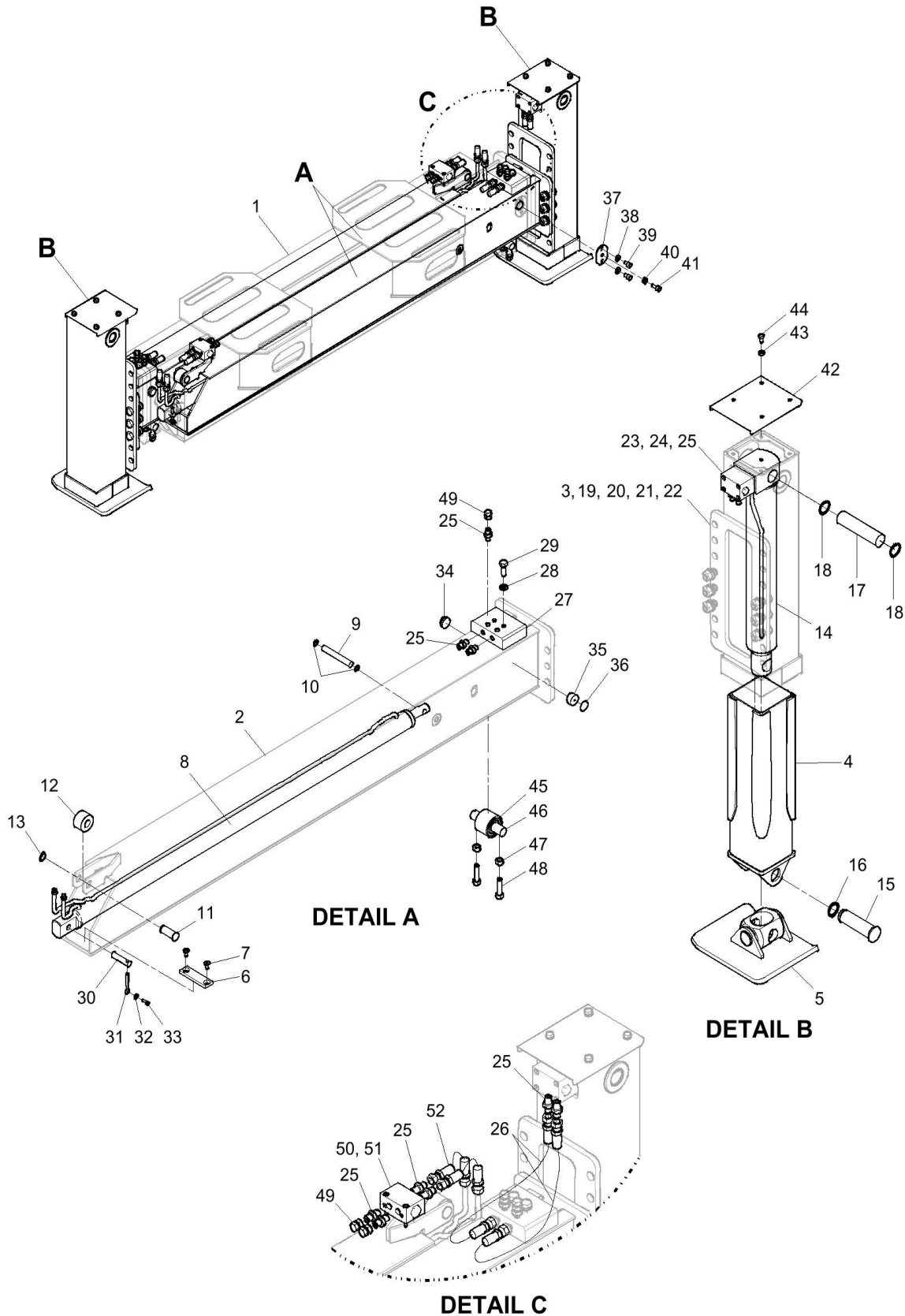


Fig. 04.010	REAR OUTRIGGER ASSY
HLC-8026A	LB140-0002

Item	Part Number	Part Name	Qty	See Fig.	Remarks
41	S2212073	SOCKET BOLT	2		
42	LB148-0023	COVER	2		
43	S5102503	SPRING WASHER	8		D8-ZPC3
44	S0108663	HEX BOLT	8		M8x1.25-L16-FULL-ZPC3
45	LB138-0017	ROLLER ASSY	2		
46	LB138-0020	ROLLER PIN	2		
47	S4012743	HEX NUT	4		M12x1.75-Sty.2-ZPC3
48	S0115663	HEX BOLT	4		M12x1.75-L50-FULL-ZPC3
49	LW271-5000	UNION CAP	8		
50	LB171-0029	PILOT CHECK VALVE	2		
51	S2205473	SOCKET BOLT	4		
52	LW551-0030	OIL HOSE	4		

EOL

Fig. 05.010	LADDER ASSY
HLC-8026A	LB166-0001

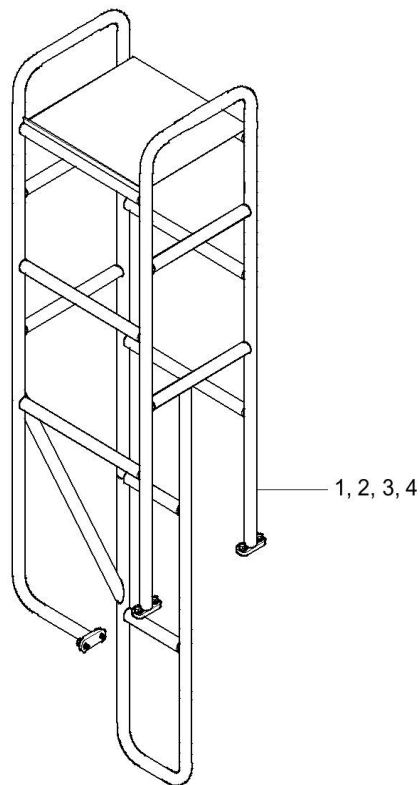


Fig.	05.010	LADDER ASSY
	HLC-8026A	LB166-0001

Item	Part Number	Part Name	Qty	See Fig.	Remarks
1	LB166-0002	LADDER	1		
2	S5000503	PLAIN WASHER	6		D8-ZPC3
3	S5102503	SPRING WASHER	6		D8-ZPC3
4	S0108863	HEX BOLT	6		M8x1.25-L20-FULL-ZPC3
EOL					

<p>Fig. 06.010</p>	<p>DISTRIBUTOR PIPING</p>
<p>HLC-8026A</p>	<p>LB351-0001</p>

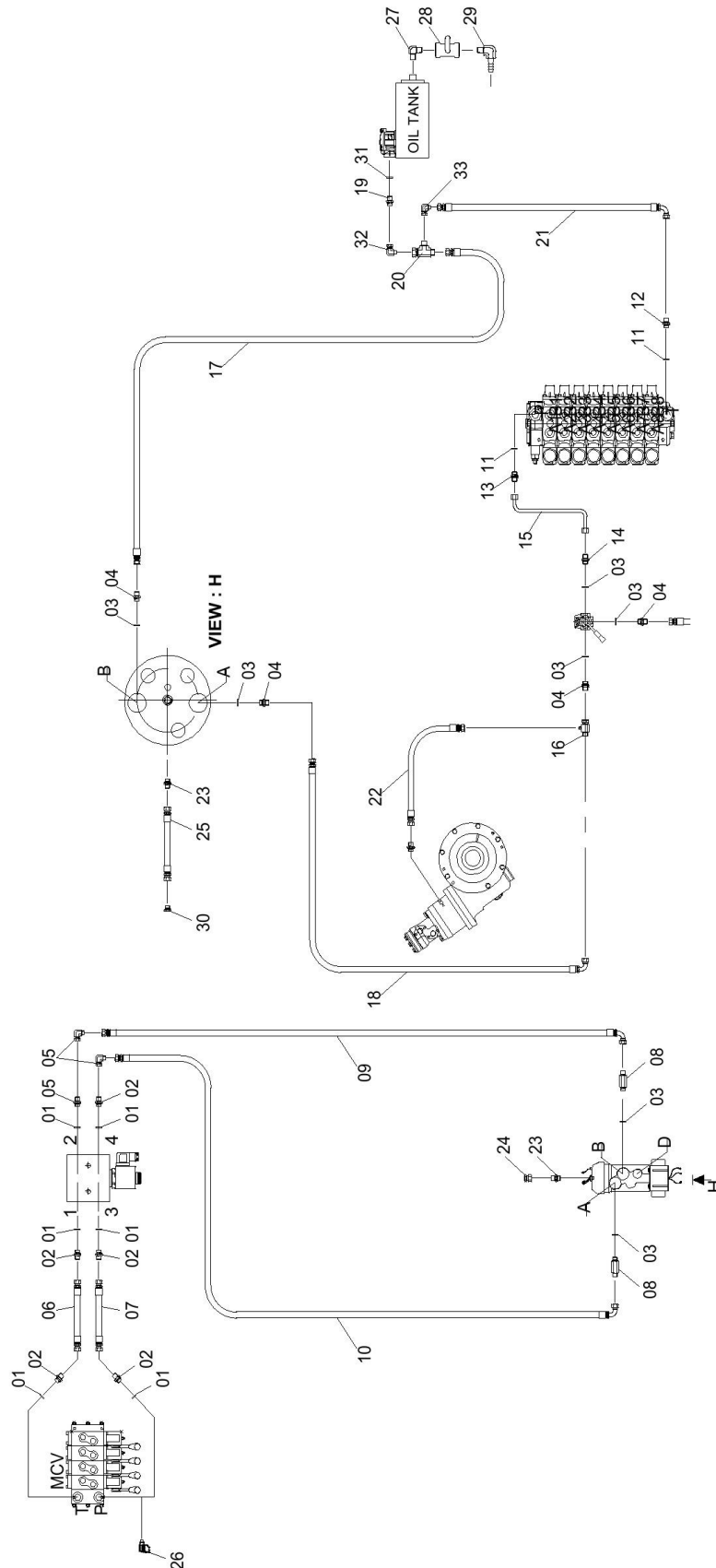


Fig.	06.010	DISTRIBUTOR PIPING
	HLC-8026A	LB351-0001

Item	Part Number	Part Name	Qty	See Fig.	Remarks
1	LW285-8105	BONDED SEAL	6		
2	LW271-0610	HOSE ADAPTER	6		
3	S8000851	O-RING	7		P85-1B
4	LW271-0311	HOSE ADAPTER	4		
5	LW271-3403	HOSE UNION ADAPTER-90	4		
6	LW523-3075	OIL HOSE	1		
7	LW551-3070	OIL HOSE	1		
8	LB151-0003	HOSE ADAPTER	2		
9	LW526-3110	HOSE	1		
10	LW555-3105	HOSE	1		
11	S8000651	O-RING	2		P65-1B
12	LW271-0308	HOSE ADAPTER	1		
13	LW272-0118	MALE CONNECTOR	1		
14	LW272-0132	MALE CONNECTOR	1		
15	LB351-0002	PIPE	1		
16	LW271-5105	HOSE UNION TEE	1		
17	LW523-3140	HOSE	1		
18	LW555-3160	HOSE	2		
19	LW271-0611	HOSE ADAPTER	1		
20	LW271-5106	HOSE UNION TEE	1		
21	LW526-2220	HOSE	1		
22	LW551-0050	HOSE	1		
23	LW271-0001	HOSE ADAPTER	2		
24	LW271-5000	UNION CAP	1		
25	LW551-0110	OIL HOSE	1		
26	LB151-0004	COUPLING	1		
27	LW270-0331	NIPPLE-90	1		
28	LB138-0025	STOP VALVE	1		
29	LB151-0005	MALE HOSE NIPPLE-90	1		
30	LW270-2191	PLUG	1		
31	LW285-8106	BONDED SEAL	1		
32	LW271-3402	HOSE UNION ADAPTER-90	1		

EOL

Fig. 06.020	WINCH PIPING
HLC-8026A	LB352-0001

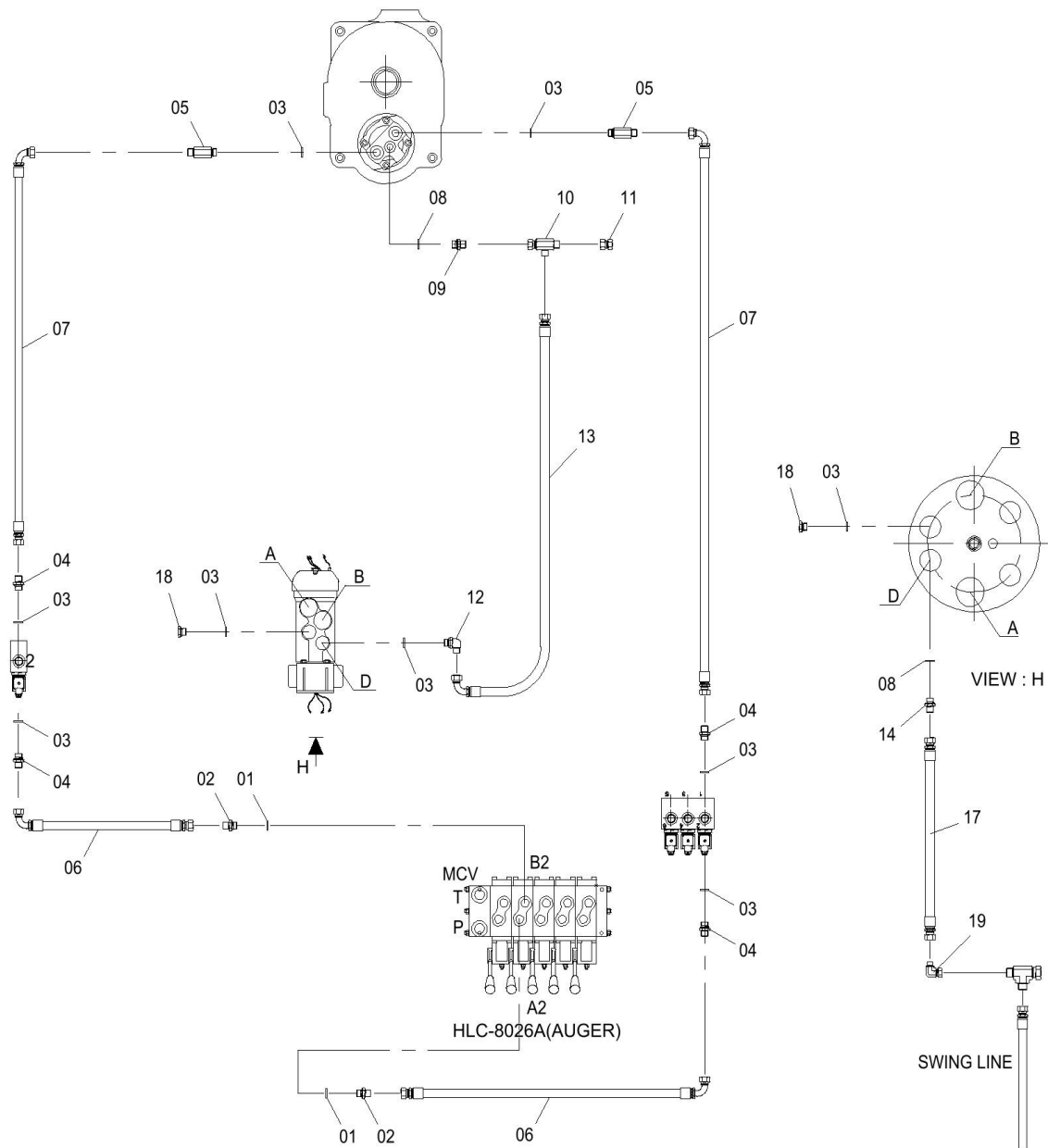


Fig. 06.020	WINCH PIPING
HLC-8026A	LB352-0001

Item	Part Number	Part Name	Qty	See Fig.	Remarks
1	LW285-8104	BONDED SEAL	2		
2	LW271-0605	HOSE ADAPTER	2		
3	S8000651	O-RING	9		P65-1B
4	LW271-0306	HOSE ADAPTER	4		
5	LB152-0002	HOSE ADAPTER	2		
6	LW555-1050	HOSE	2		
7	LW555-1095	OIL HOSE	2		
8	S8000561	O-RING	2		
9	LW271-0305	HOSE ADAPTER	1		
10	LW271-5103	HOSE UNION TEE	1		
11	LW271-5001	UNION CAP	1		
12	LW271-3104	HOSE LOCK ADAPTER-90	1		
13	LW526-1080	HOSE	2		
14	LW271-0302	HOSE ADAPTER	1		
15	LW271-3400	HOSE UNION ADAPTER-90	1		
16	LW523-0120	HOSE	1		
17	LW270-2193	PLUG	2		

EOL

Fig. 06.030	TELESCOPIC PIPING
HLC-8026A	LB353-0001

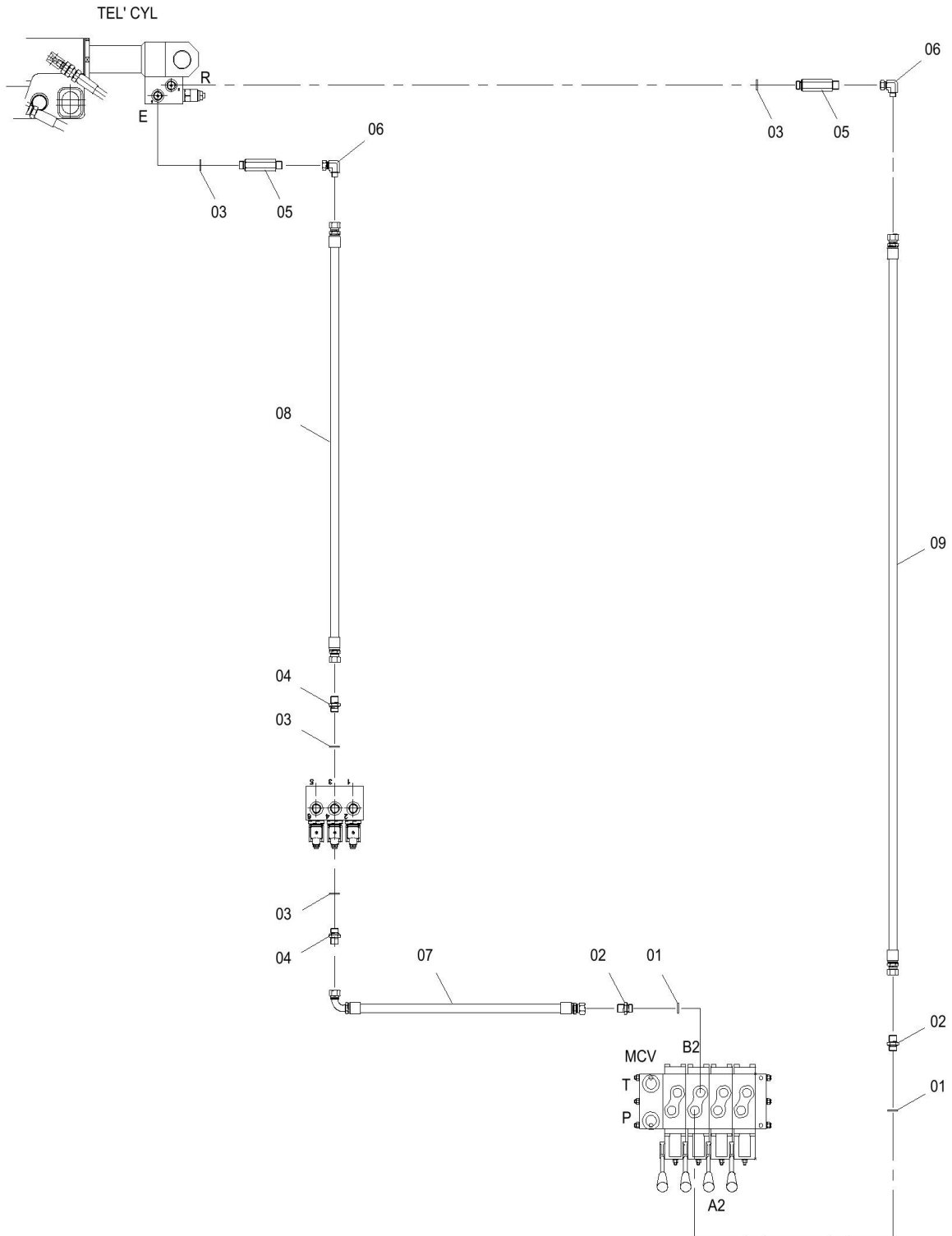


Fig. 06.030	TELESCOPIC PIPING
HLC-8026A	LB353-0001

Item	Part Number	Part Name	Qty	See Fig.	Remarks
1	LW285-8104	BONDED SEAL	2		
2	LW271-0605	HOSE ADAPTER	2		
3	S8000651	O-RING	4		P65-1B
4	LW271-0306	HOSE ADAPTER	2		
5	LB353-0003	HOSE ADAPTER	2		
6	LW271-3401	HOSE UNION ADAPTER-90	2		
7	LW526-1050	OIL HOSE	1		
8	LW551-1190	HOSE	1		
9	LW551-1205	HOSE	1		
EOL					

Fig. 06.040	DERRICK PIPING
HLC-8026A	LB354-0001

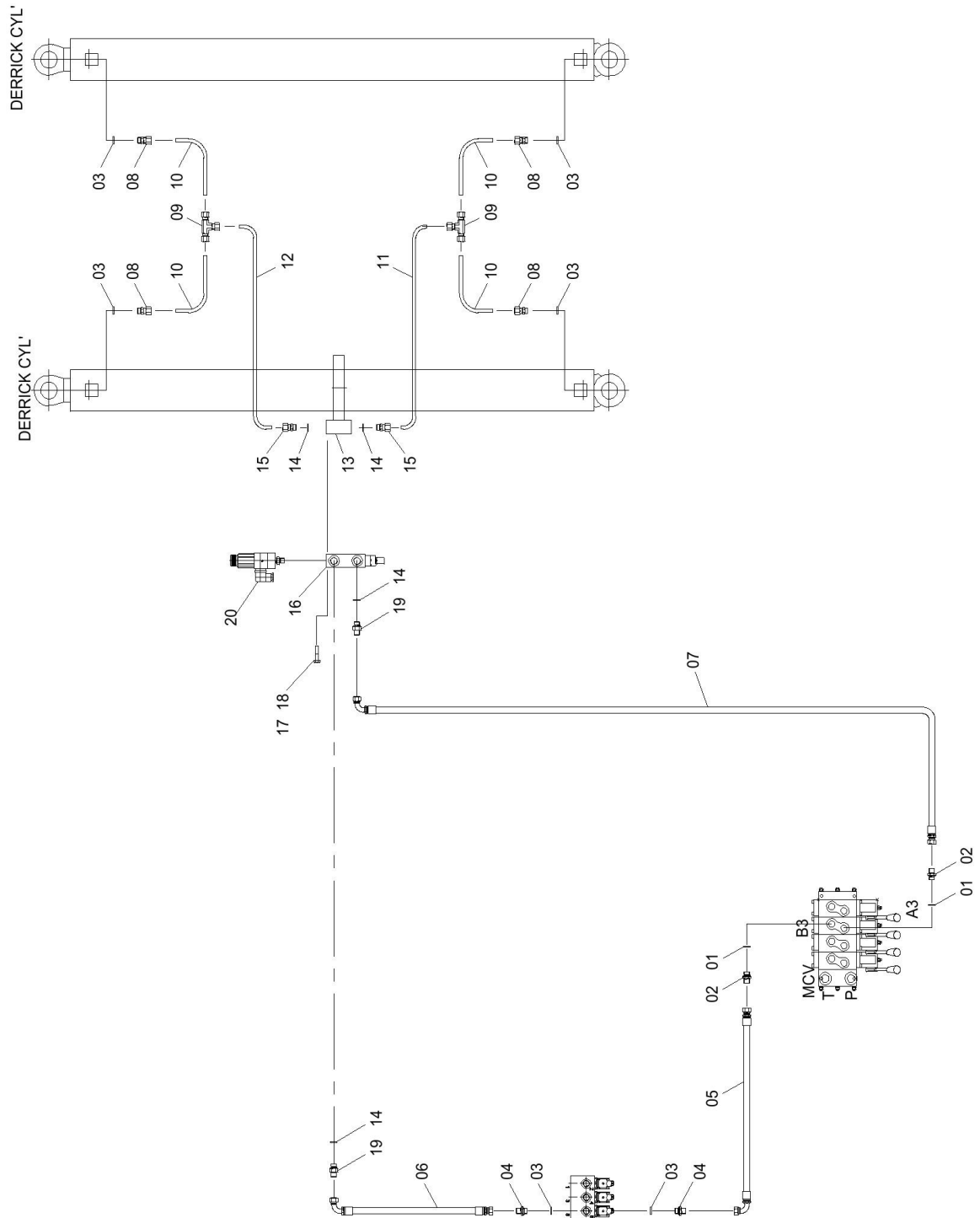


Fig. 06.040	DERRICK PIPING
HLC-8026A	LB354-0001

Item	Part Number	Part Name	Qty	See Fig.	Remarks
1	LW285-8104	BONDED SEAL	2		
2	LW271-0605	HOSE ADAPTER	2		
3	S8000181	O-RING	6		P18-1B
4	LW271-0306	HOSE ADAPTER	4		
5	LW555-1050	HOSE	1		
6	LW616-1245	HOSE	1		
7	LW616-1260	HOSE	1		
8	LW272-0110	MALE CONNECTOR	1		
9	LW272-1503	TEE	2		
10	LB354-0002	PIPE	4		
11	LB354-0004	PIPE	1		
12	LB354-0006	PIPE	1		
13	LB354-0008	CLAMP	1		
14	S8000141	O-RING	4		P14-1B
15	LW272-0109	MALE CONNECTOR	2		
16	LB271-0004	OVER CENTER VALVE	2		
17	S5100203	SPRING WASHER	2		D5-ZPC3
18	S0156563	HEX BOLT	2		
19	LW271-0305	HOSE ADAPTER	2		
20	LB171-0008	PRESSURE SWITCH	1		

EOL

Fig.

06.050

SWING PIPING

HLC-8026A

LB355-0001

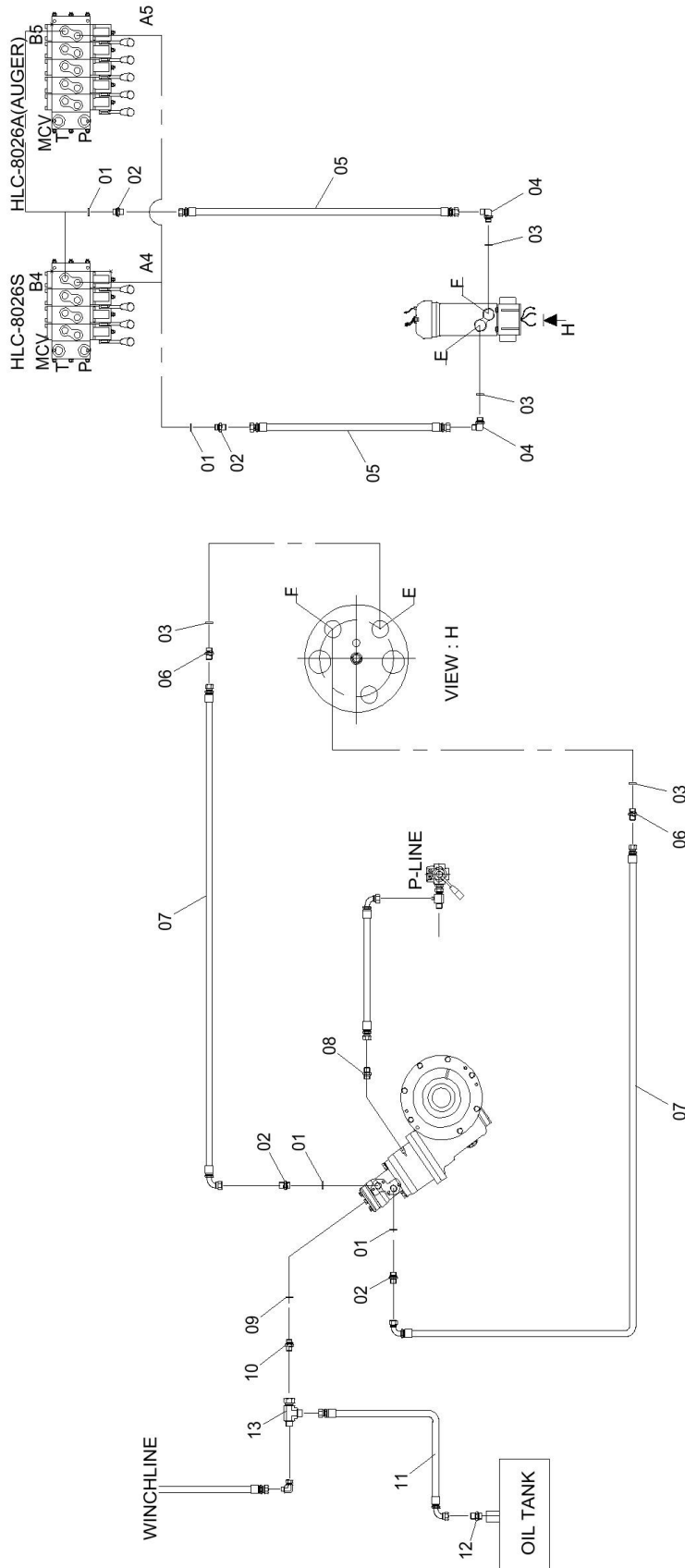


Fig. 06.050	SWING PIPING
HLC-8026A	LB355-0001

Item	Part Number	Part Name	Qty	See Fig.	Remarks
1	LW285-8104	BONDED SEAL	4		
2	LW271-0605	HOSE ADAPTER	4		
3	S8000651	O-RING	4		P65-1B
4	LW271-3104	HOSE LOCK ADAPTER-90	2		
5	LW614-1210	HOSE	2		
6	LW271-0306	HOSE ADAPTER	2		
7	LW555-1100	HOSE	2		
8	LW271-0001	HOSE ADAPTER	2		
9	LW285-8102	BONDED SEAL	1		
10	LW271-0600	HOSE ADAPTER	1		
11	LW526-0210	HOSE	1		
12	LW271-5100	HOSE UNION TEE	1		

EOL

Fig.

06.060

OUTRIGGER PIPING

HLC-8026A

LB356-0001

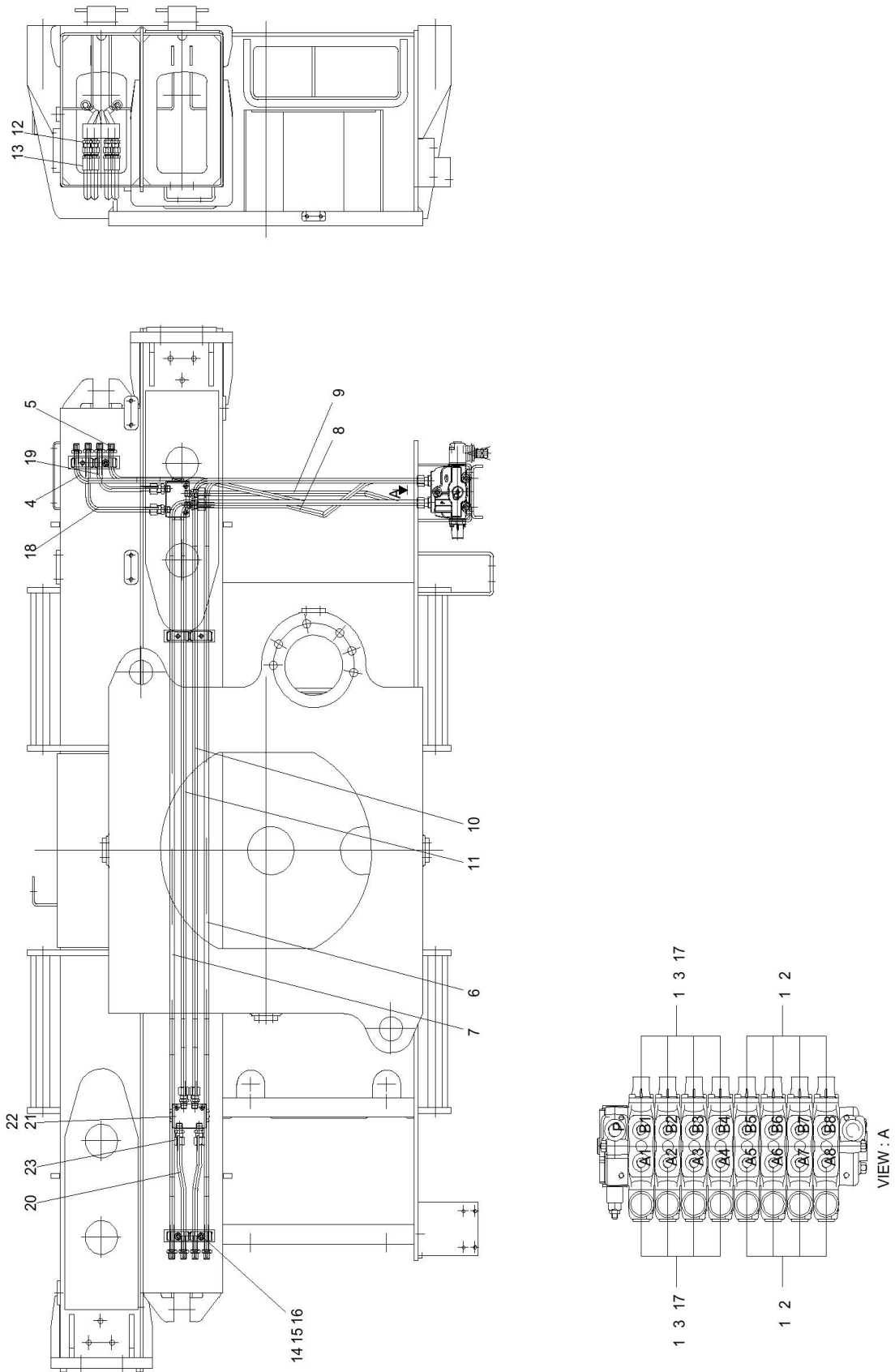


Fig.	06.060	OUTRIGGER PIPING
	HLC-8026A	LB356-0001

Item	Part Number	Part Name	Qty	See Fig.	Remarks
1	S8000141	O-RING	16		P14-1B
2	LW272-0109	MALE CONNECTOR	8		
3	LW271-0301	HOSE ADAPTER	8		
4	LB356-0002	PIPE	1		
5	LB356-0004	PIPE	1		
6	LB356-0006	PIPE	1		
7	LB356-0008	PIPE	1		
8	LB356-0010	PIPE	1		
9	LB356-0012	PIPE	1		
10	LB356-0014	PIPE	1		
11	LB356-0016	PIPE	1		
12	LW271-0001	HOSE ADAPTER	8		
13	LW551-0030	OIL HOSE	8		
14	LB168-0017	COVER	6		
15	S5102503	SPRING WASHER	6		D8-ZPC3
16	S0155763	HEX BOLT	6		M8x1.25-L25-ZPC3
17	LW555-0160	OIL HOSE	8		
18	LB156-0021	PIPE	1		
19	LB156-0023	PIPE	1		
20	LB156-0025	PIPE	2		
21	LB171-0029	PILOT CHECK VALVE	2		
22	S2205473	SOCKET BOLT	4		
23	LW272-0008	MALE CONNECTOR	8		
EOL					

<p>Fig. 08.010</p>	<p>STICKER SET</p>
<p>HLC-8026A</p>	<p>LB391-0001</p>

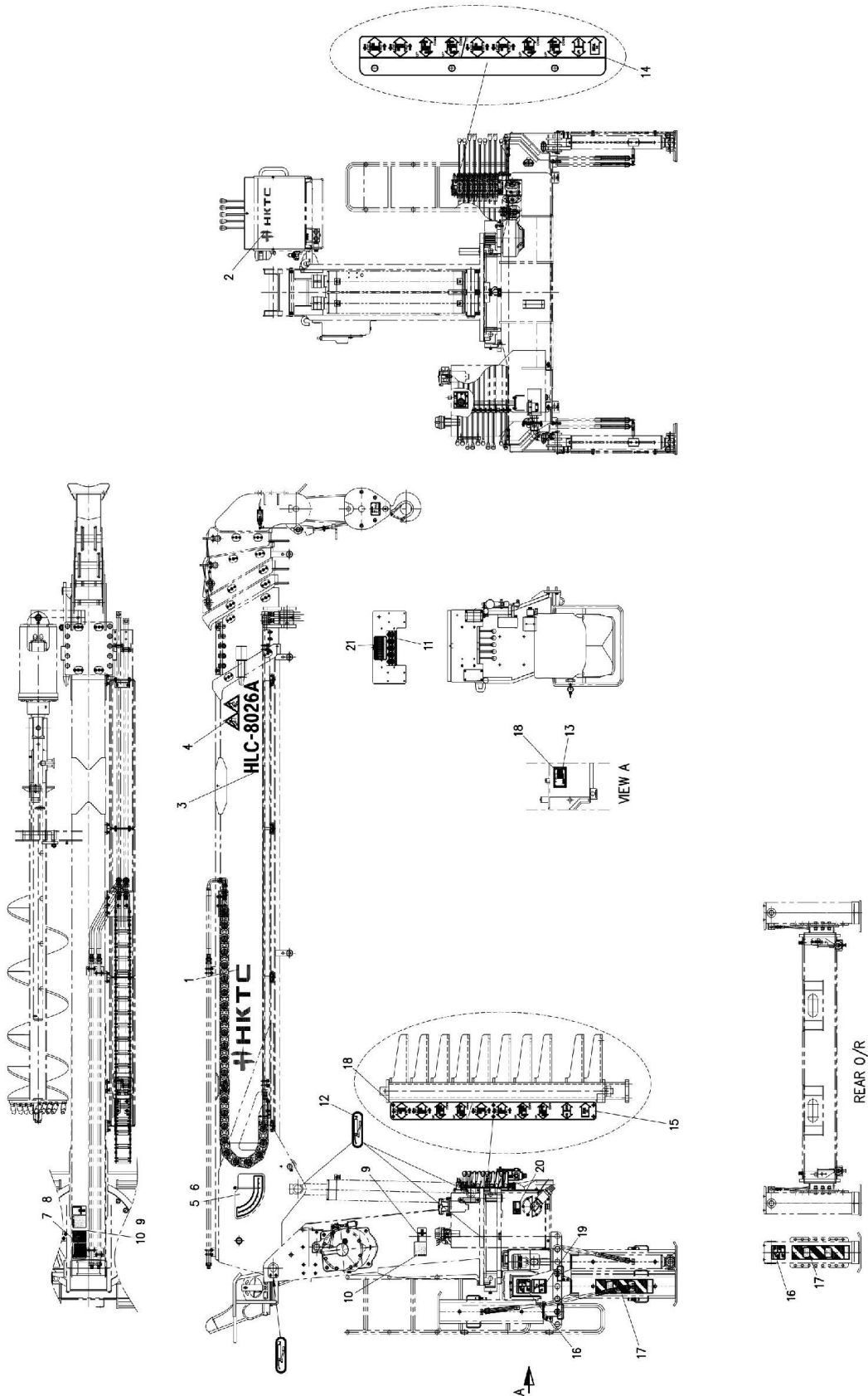


Fig.	08.010	STICKER SET
	HLC-8026A	LB391-0001

Item	Part Number	Part Name	Qty	See Fig.	Remarks
1	LB190-0002	STICKER	1		
2	LB190-0003	STICKER	1		
3	LB391-0002	STICKER	1		
4	LB190-0005	BOOM WARNING STICKER	1		
5	LB390-0003	BOOM WARNING STICKER	1		
6	LB390-0004	BOOM WARNING STICKER	1		
7	LB391-0003	WORKING RADIUS STICKER	1		
8	LB391-0004	WORKING RADIUS STICKER	1		
9	LB190-0010	STABILITY STICKER	1		
10	LB190-0011	CRANE WARNING STICKER	1		
11	LB391-0005	CONTROL STICKER	1		
12	LB190-0013	STICKER	1		
13	LB190-0014	NAME PLATE	1		
14	LB190-0015	STICKER	1		
15	LB190-0016	STICKER	1		
16	LB190-0017	OUTRIGGER WARNING STICKER	1		
17	LB190-0018	JACK WARNING STICKER	1		
18	LB190-0024	BLIND RIVET	1		
19	LB190-0019	OUTRIGGER OPERATION STICKER	1		
20	LB190-0025	WARNING STICKER	1		
21	LB391-0006	LOAD CHART STICKER	1		

EOL

Fig. 09.010	WIRE SAFETY DEVICE
HLC-8026A	LB324-0001

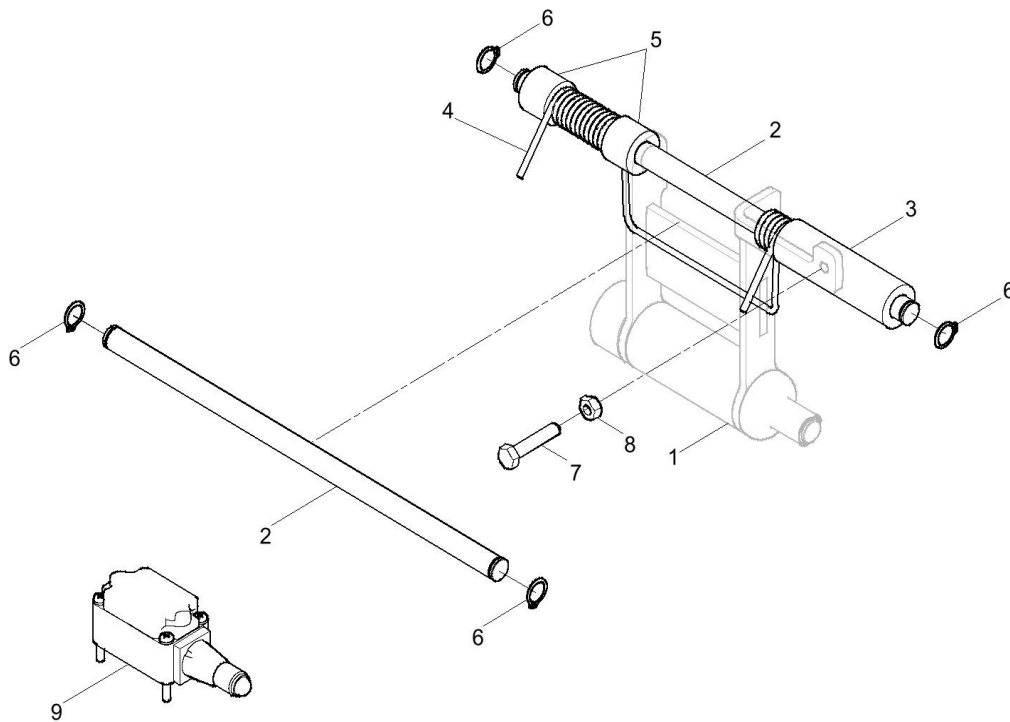


Fig. 09.010	WIRE SAFETY DEVICE
HLC-8026A	LB324-0001

Item	Part Number	Part Name	Qty	See Fig.	Remarks
1	LB324-0002	WIRE CLAMP SET	1	09.020	
2	LB224-0002	PIN	2		
3	LB324-0005	SPACER	1		
4	LB124-0016	SPRING	1		
5	LB324-0006	SPACER	2		
6	S6500150	SNAP RING (C Type)	4		D15
7	S0109463	HEX BOLT	1		
8	S4012543	HEX NUT	1		M8x1.25-Sty.2-ZPC3
9	LB180-0001	LIMIT SWITCH	1		
EOL					

Fig. 09.020	WIRE CLAMP SET
HLC-8026A	LB324-0002

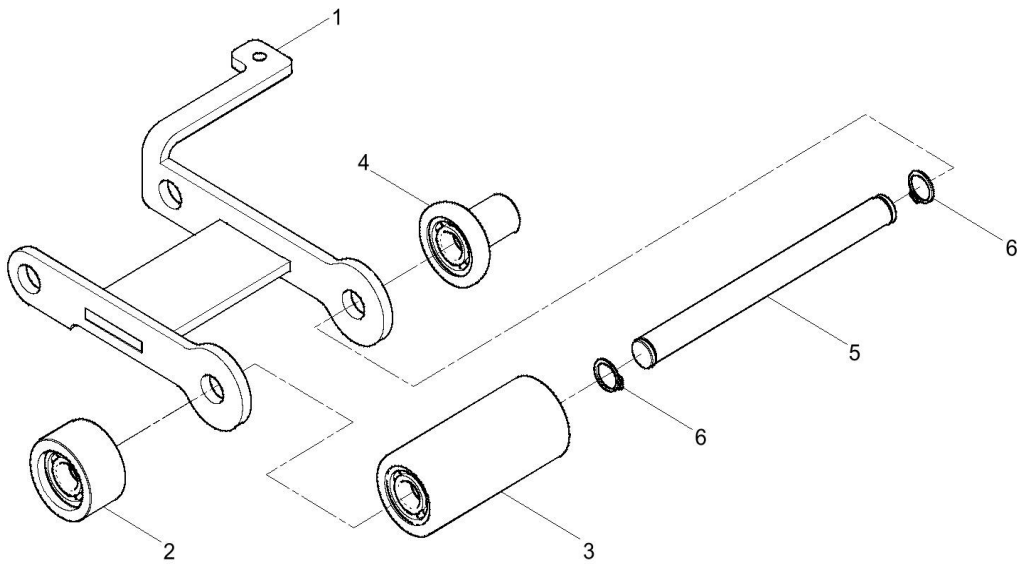


Fig.	09.020	WIRE CLAMP SET
	HLC-8026A	LB324-0002

Item	Part Number	Part Name	Qty	See Fig.	Remarks
1	LB324-0003	WIRE CLAMP	1		
2	LB124-0007	ROLLER ASSY	1		
3	LB124-0009	ROLLER ASSY	1		
4	LB124-0011	ROLLER ASSY	1		
5	LB124-0013	PIN	1		
6	S6500150	SNAP RING (C Type)	2		D15

EOL

Fig. 10.010	THERMOSTAT SYSTEM
HLC-8026A	LB134-0001

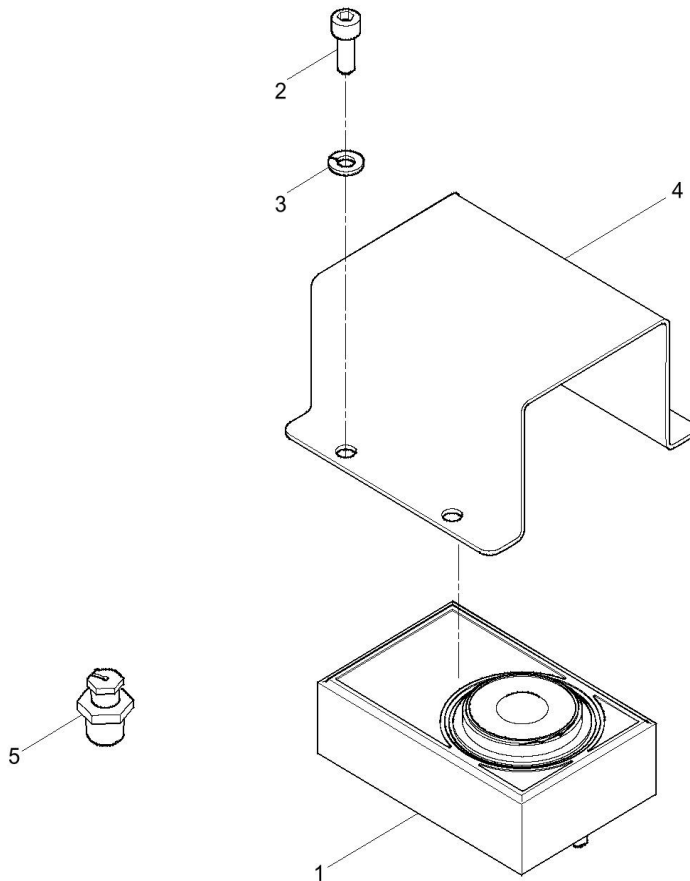


Fig.	10.010	THERMOSTAT SYSTEM
	HLC-8026A	LB134-0001

Item	Part Number	Part Name	Qty	See Fig.	Remarks
1	LB180-0002	THERMOSTAT	1		
2	S2304673	SOCKET BOLT	6		
3	S5100300	SPRING WASHER	6		
4	LB134-0002	COVER	1		
5	LB134-0003	NIPPLE	1		

EOL

Fig. 11.010	OVERWIND PREVENTION DEVICE
HLC-8026A	LB580-0001

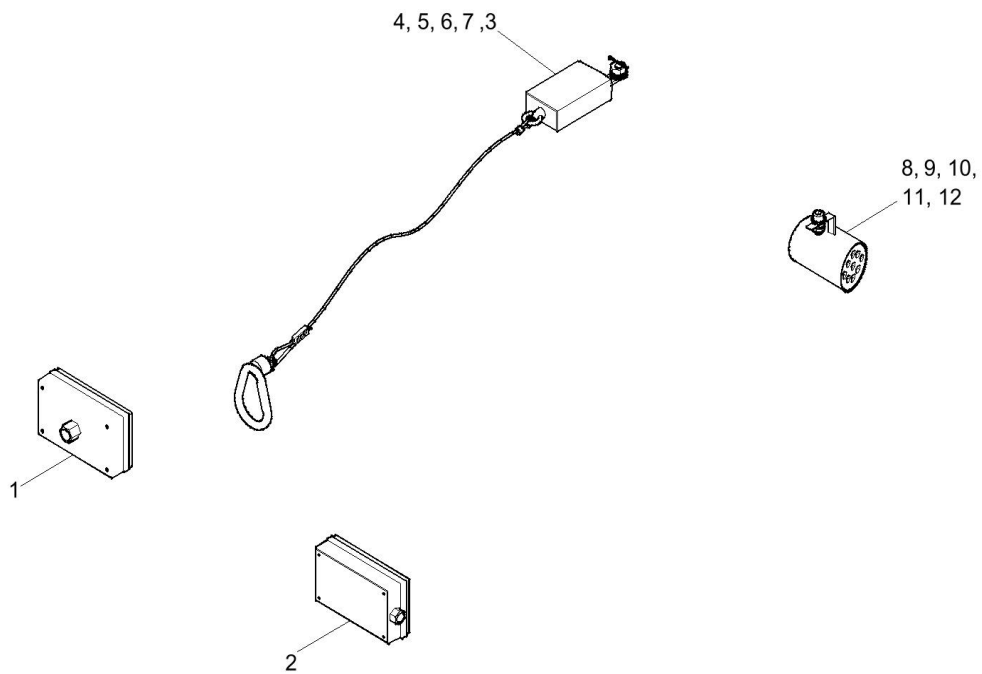


Fig. 11.010	OVERWIND PREVENTION DEVICE
HLC-8026A	LB580-0001

Item	Part Number	Part Name	Qty	See Fig.	Remarks
1	LB580-0002	RECEIVER	1		
2	LB180-0005	TRANSMITTER	1		
3	LB580-0004	LIMIT SWITCH	1		
4	S5100603	SPRING WASHER	1		D10-ZPC3
5	S5000603	PLAIN WASHER	1		D10-ZPC3
6	S4012643	HEX NUT	1		M10x1.5-Sty.2-ZPC3
7	S5735281	SPLIT PIN	1		D2-L25
8	LB180-0007	BUZZER	1		
9	S5100503	SPRING WASHER	1		D8-ZPC3
10	S2308873	SOCKET BOLT	1		
11	S5000503	PLAIN WASHER	1		D8-ZPC3
12	S4012543	HEX NUT	1		M8x1.25-Sty.2-ZPC3

EOL

Fig. 12.010	LEVEL ASSY
HLC-8026A	LB135-0001

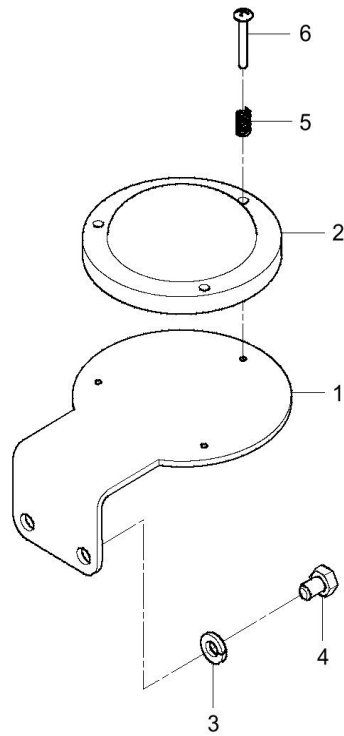


Fig.	12.010	LEVEL ASSY
	HLC-8026A	LB135-0001

Item	Part Number	Part Name	Qty	See Fig.	Remarks
1	LB135-0002	BRACKET	1		
2	LB135-0003	LEVEL GAUGE	1		
3	S5102503	SPRING WASHER	2		D8-ZPC3
4	S0108463	HEX BOLT	2		
5	LB135-0004	SPRING	3		
6	S3456630	LEVEL ASSY	3		

EOL

Fig. 13.010	DRIVE
HLC-8026A	LB361-0060

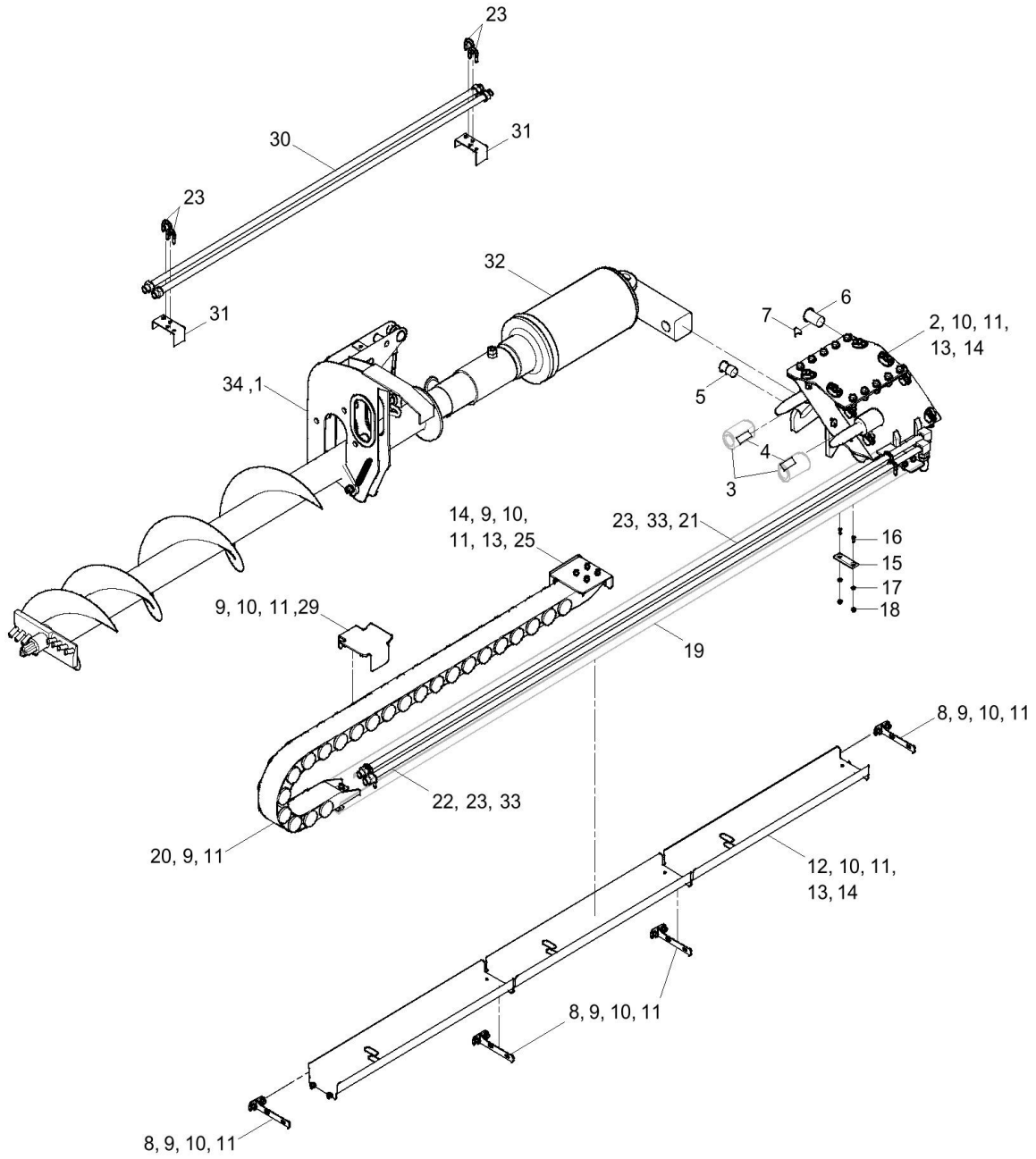


Fig. 13.010	DRIVE
HLC-8026A	LB361-0060

Item	Part Number	Part Name	Qty	See Fig.	Remarks
1	LB361-0002	HOLDER ASSY	1		
2	LB361-0016	BOOM ASSY	1		
3	LB361-0027	BOSS	2		
4	LB361-0028	PLATE	2		
5	LB361-0029	STOPPER	1		
6	LB361-0030	STOPPER	1		
7	LB361-0031	PLATE	1		
8	LB361-0032	BRACKET	4		
9	S2311873	SOCKET BOLT	17		
10	S5000603	PLAIN WASHER	25		D10-ZPC3
11	S5100603	SPRING WASHER	33		D10-ZPC3
12	LB361-0035	SUPPORT	3		
13	S2312073	SOCKET BOLT	16		
14	S4012643	HEX NUT	16		M10x1.5-Sty.2-ZPC3
15	LB361-0036	SLIDING PAD	2		
16	S3453108	FLAT HEAD SCREW	4		
17	S5100503	SPRING WASHER	2		D8-ZPC3
18	S4012543	HEX NUT	2		M8x1.25-Sty.2-ZPC3
19	LB361-0037	GUIDE	1		
20	LB361-0041	CABLE	1		
21	LB361-0042	PIPE	1		
22	LB361-0046	PIPE	1		
23	LB361-0059	U BOLT	8		
24	LW551-3260	HOSE	2		
25	LB361-0048	BRACKET	1		
26	LW271-0953	HOSE	2		
27	LW271-3403	HOSE UNION ADAPTER-90	2		
28	LW557-3063	HOSE	2		
29	LB361-0052	BRACKET	1		
30	LB361-0053	PIPE	2		
31	LB361-0056	BRACKET	2		
32	LB361-0061	DRIVE UNIT	1		
33	LB361-0067	HOSE	2		
34	LB361-0066	PLATE	1		
EOL					

Blank page

Chapter 2. Index

HLC-8026A

Part Number	Fig.	Item	Part Number	Fig.	Item	Part Number	Fig.	Item
HT7170053	03.010	13	LB118-0051	01.070	11	LB132-0046	02.060	16
LB108-0007	02.010	7	LB118-0057	01.070	15	LB132-0047	02.050	10
LB108-0008	02.010	10	LB118-0058	01.070	18	LB133-0001	02.050	9
LB108-0009	02.010	12	LB118-0059	01.080	5	LB133-0002	02.070	2
LB108-0010	02.010	13	LB118-0061	01.080	6	LB133-0006	02.070	5
LB108-0011	02.010	14	LB118-0065	01.050	9	LB133-0010	02.070	10
LB108-0016	02.010	15	LB118-0065	01.060	9	LB133-0011	02.070	15
LB108-0019	02.010	17	LB118-0066	01.060	22	LB133-0012	02.070	14
LB108-0020	02.010	19	LB118-0066	01.070	2	LB134-0001	00.010	12
LB108-0025	00.010	8	LB122-0002	02.090	5	LB134-0002	10.010	4
LB108-0026	02.010	16	LB122-0003	02.090	9	LB134-0003	10.010	5
LB118-0001	01.020	2	LB122-0004	02.090	14	LB135-0001	00.010	14
LB118-0001	01.030	2	LB122-0005	02.090	15	LB135-0002	12.010	1
LB118-0001	01.040	2	LB122-0006	02.090	16	LB135-0003	12.010	2
LB118-0002	01.030	3	LB122-0007	02.090	18	LB135-0004	12.010	5
LB118-0003	01.030	6	LB122-0008	02.090	19	LB138-0005	02.030	8
LB118-0007	01.020	10	LB122-0010	02.090	27	LB138-0006	02.080	2
LB118-0009	01.020	15	LB122-0011	02.010	20	LB138-0007	02.080	9
LB118-0014	01.020	19	LB122-0011	02.090	28	LB138-0009	02.080	10
LB118-0017	01.020	23	LB122-0012	02.090	30	LB138-0010	02.080	12
LB118-0017	01.030	10	LB123-0001	02.090	1	LB138-0016	02.080	8
LB118-0017	01.040	10	LB123-0023	02.090	2	LB138-0017	02.030	18
LB118-0017	01.050	10	LB123-0030	02.090	25	LB138-0017	03.010	35
LB118-0017	01.060	10	LB123-0034	02.090	12	LB138-0017	04.010	45
LB118-0017	02.030	24	LB123-0035	02.100	1	LB138-0020	02.030	19
LB118-0017	04.010	36	LB123-0038	02.100	3	LB138-0020	03.010	34
LB118-0018	01.020	24	LB123-0042	02.100	4	LB138-0020	04.010	46
LB118-0018	01.030	11	LB123-0045	02.100	11	LB138-0021	02.030	22
LB118-0018	01.040	11	LB123-0046	02.090	7	LB138-0022	02.030	23
LB118-0018	01.050	11	LB123-0051	02.100	12	LB138-0023	02.030	27
LB118-0018	01.060	11	LB124-0007	09.020	2	LB138-0025	06.010	28
LB118-0018	02.030	25	LB124-0009	09.020	3	LB140-0002	00.010	4
LB118-0018	04.010	37	LB124-0011	09.020	4	LB141-0020	03.010	15
LB118-0019	01.020	3	LB124-0013	09.020	5	LB141-0020	04.010	5
LB118-0019	01.040	3	LB124-0016	09.010	4	LB142-0001	04.010	1
LB118-0020	01.020	6	LB128-0001	02.020	5	LB142-0015	04.010	2
LB118-0020	01.040	6	LB128-0012	01.020	27	LB142-0030	04.010	3
LB118-0023	01.050	2	LB128-0015	01.020	28	LB142-0040	04.010	4
LB118-0023	01.060	2	LB128-0021	02.020	15	LB148-0001	03.010	3
LB118-0024	01.050	3	LB132-0001	02.030	12	LB148-0001	04.010	6
LB118-0025	01.050	6	LB132-0002	02.050	1	LB148-0003	03.010	8
LB118-0025	01.060	6	LB132-0003	02.060	1	LB148-0004	03.010	9
LB118-0028	01.060	14	LB132-0018	02.060	7	LB148-0005	03.010	12
LB118-0031	01.050	19	LB132-0019	02.060	8	LB148-0006	03.010	14
LB118-0036	01.060	3	LB132-0020	02.060	2	LB148-0009	03.010	16
LB118-0037	01.070	9	LB132-0034	02.060	3	LB148-0010	03.010	20
LB118-0038	01.050	18	LB132-0035	02.060	5	LB148-0013	03.010	27
LB118-0038	01.060	16	LB132-0036	02.060	6	LB148-0014	04.010	9
LB118-0040	01.060	17	LB132-0037	02.060	9	LB148-0015	04.010	11
LB118-0044	01.070	3	LB132-0038	02.060	10	LB148-0016	04.010	12
LB118-0048	01.070	4	LB132-0039	02.060	11	LB148-0017	04.010	15
LB118-0049	01.070	5	LB132-0042	02.060	14	LB148-0018	04.010	17
LB118-0050	01.070	8	LB132-0045	02.060	15	LB148-0019	04.010	27

Part Number	Fig.	Item	Part Number	Fig.	Item	Part Number	Fig.	Item
LB148-0020	04.010	30	LB190-0018	08.010	17	LB321-0001	02.020	1
LB148-0021	04.010	34	LB190-0019	08.010	19	LB322-0002	02.010	25
LB148-0022	04.010	35	LB190-0024	08.010	18	LB322-0005	02.090	26
LB148-0023	04.010	42	LB190-0025	08.010	20	LB324-0001	00.010	11
LB148-0024	03.010	23	LB208-0009	02.010	21	LB324-0002	09.010	1
LB148-0025	03.010	26	LB208-0011	02.010	22	LB324-0003	09.020	1
LB148-0026	03.010	28	LB218-0005	01.020	20	LB324-0005	09.010	3
LB148-0027	03.010	29	LB224-0002	09.010	2	LB324-0006	09.010	5
LB151-0003	06.010	8	LB228-0001	02.020	8	LB330-0001	02.010	2
LB151-0004	06.010	26	LB228-0003	02.020	11	LB331-0001	02.030	1
LB151-0005	06.010	29	LB228-0005	02.020	12	LB332-0001	02.030	13
LB152-0002	06.020	5	LB228-0006	02.020	14	LB332-0002	02.080	1
LB156-0021	06.060	18	LB228-0008	02.020	20	LB338-0001	02.030	7
LB156-0023	06.060	19	LB271-0001	02.020	2	LB338-0002	02.040	2
LB156-0025	06.060	20	LB271-0002	02.020	6	LB338-0005	02.030	29
LB166-0001	00.010	5	LB271-0004	06.040	16	LB338-0006	02.030	30
LB166-0002	05.010	1	LB271-0006	03.010	11	LB340-0001	00.010	3
LB168-0017	06.060	14	LB301-0003	00.010	2	LB341-0001	03.010	1
LB169-0001	00.010	6	LB308-0001	02.010	6	LB341-0012	03.010	2
LB171-0005	02.020	16	LB308-0011	00.010	15	LB348-0001	03.010	6
LB171-0008	06.040	20	LB310-0001	00.010	1	LB348-0002	03.010	32
LB171-0010	02.090	24	LB310-0002	01.010	1	LB350-0002	02.010	3
LB171-0011	02.090	21	LB310-0003	01.010	2	LB351-0002	06.010	15
LB171-0012	02.090	20	LB310-0004	01.010	3	LB353-0003	06.030	5
LB171-0013	02.040	1	LB310-0005	01.010	4	LB354-0002	06.040	10
LB171-0015	02.030	4	LB310-0006	01.010	5	LB354-0004	06.040	11
LB171-0017	02.030	9	LB310-0007	01.010	6	LB354-0006	06.040	12
LB171-0018	02.060	18	LB310-0008	01.010	7	LB354-0008	06.040	13
LB171-0019	02.050	7	LB311-0001	01.020	1	LB356-0002	06.060	4
LB171-0022	03.010	17	LB312-0001	01.030	1	LB356-0004	06.060	5
LB171-0023	04.010	8	LB313-0001	01.040	1	LB356-0006	06.060	6
LB171-0024	04.010	14	LB314-0001	01.050	1	LB356-0008	06.060	7
LB171-0025	04.010	23	LB315-0001	01.060	1	LB356-0010	06.060	8
LB171-0026	02.100	2	LB316-0001	01.070	1	LB356-0012	06.060	9
LB171-0027	02.070	1	LB318-0001	01.020	9	LB356-0014	06.060	10
LB171-0029	04.010	50	LB318-0003	01.020	13	LB356-0016	06.060	11
LB171-0029	06.060	21	LB318-0004	01.020	16	LB361-0002	13.010	1
LB180-0001	09.010	9	LB318-0006	01.020	22	LB361-0016	13.010	2
LB180-0002	10.010	1	LB318-0006	01.040	9	LB361-0027	13.010	3
LB180-0005	11.010	2	LB318-0007	01.030	14	LB361-0028	13.010	4
LB180-0007	11.010	8	LB318-0008	01.040	14	LB361-0029	13.010	5
LB180-0008	02.090	31	LB318-0009	01.050	14	LB361-0030	13.010	6
LB180-0009	02.090	32	LB318-0010	01.050	16	LB361-0031	13.010	7
LB190-0002	08.010	1	LB318-0011	01.050	17	LB361-0032	13.010	8
LB190-0003	08.010	2	LB318-0012	01.050	20	LB361-0035	13.010	12
LB190-0005	08.010	4	LB318-0014	01.050	22	LB361-0036	13.010	15
LB190-0010	08.010	9	LB318-0014	01.060	20	LB361-0037	13.010	19
LB190-0011	08.010	10	LB318-0015	01.060	18	LB361-0041	13.010	20
LB190-0013	08.010	12	LB318-0017	01.070	13	LB361-0042	13.010	21
LB190-0014	08.010	13	LB318-0018	01.070	14	LB361-0046	13.010	22
LB190-0015	08.010	14	LB318-0020	01.080	7	LB361-0048	13.010	25
LB190-0016	08.010	15	LB318-0021	01.070	12	LB361-0052	13.010	29
LB190-0017	08.010	16	LB320-0001	02.010	1	LB361-0053	13.010	30

Part Number	Fig.	Item	Part Number	Fig.	Item	Part Number	Fig.	Item
LB361-0056	13.010	31	LW271-3104	06.020	12	LW555-3105	06.010	10
LB361-0059	13.010	23	LW271-3104	06.050	4	LW555-3160	06.010	18
LB361-0060	00.010	19	LW271-3400	06.020	15	LW557-3063	13.010	28
LB361-0061	13.010	32	LW271-3401	06.030	6	LW614-1210	06.050	5
LB361-0066	13.010	34	LW271-3402	06.010	32	LW616-1245	06.040	6
LB361-0067	13.010	33	LW271-3403	06.010	5	LW616-1260	06.040	7
LB371-0001	01.080	1	LW271-3403	13.010	27	S0108463	12.010	4
LB371-0004	01.080	2	LW271-5000	04.010	49	S0108663	02.010	11
LB371-0005	02.020	19	LW271-5000	06.010	24	S0108663	02.040	4
LB371-0006	02.090	23	LW271-5001	06.020	11	S0108663	02.090	22
LB371-0007	02.030	2	LW271-5100	06.050	12	S0108663	04.010	44
LB371-0008	03.010	5	LW271-5103	06.020	10	S0108863	02.030	32
LB390-0003	08.010	5	LW271-5105	06.010	16	S0108863	02.050	6
LB390-0004	08.010	6	LW271-5106	06.010	20	S0108863	02.090	13
LB391-0001	00.010	7	LW272-0008	06.060	23	S0108863	05.010	4
LB391-0002	08.010	3	LW272-0109	06.040	15	S0109063	02.090	10
LB391-0003	08.010	7	LW272-0109	06.060	2	S0109463	09.010	7
LB391-0004	08.010	8	LW272-0110	06.040	8	S0111663	00.010	18
LB391-0005	08.010	11	LW272-0118	06.010	13	S0111863	02.050	3
LB391-0006	08.010	21	LW272-0132	06.010	14	S0112063	02.010	9
LB418-0024	01.030	9	LW272-1503	06.040	9	S0112063	02.030	15
LB580-0001	00.010	13	LW2858102	02.070	13	S0115563	02.090	4
LB580-0002	11.010	1	LW2858102	02.100	10	S0115663	02.030	21
LB580-0004	11.010	3	LW285-8102	06.050	9	S0115663	03.010	37
LR171-0024	02.080	4	LW285-8104	06.020	1	S0115663	04.010	48
LW270-0331	06.010	27	LW285-8104	06.030	1	S0153973	01.080	4
LW270-2191	06.010	30	LW285-8104	06.040	1	S0155763	02.080	7
LW270-2193	06.020	17	LW285-8104	06.050	1	S0155763	06.060	16
LW271-0001	02.080	3	LW285-8105	06.010	1	S0155963	02.060	13
LW271-0001	03.010	24	LW285-8106	06.010	31	S0156563	02.090	17
LW271-0001	04.010	25	LW523-0120	06.020	16	S0156563	06.040	18
LW271-0001	06.010	23	LW523-3075	06.010	6	S0157253	02.100	8
LW271-0001	06.050	8	LW523-3140	06.010	17	S0158163	03.010	22
LW271-0001	06.060	12	LW526-0210	06.050	11	S0158763	02.100	6
LW271-0301	06.060	3	LW526-1050	06.030	7	S0160463	04.010	29
LW271-0302	06.020	14	LW526-1080	06.020	13	S0160663	02.010	27
LW271-0305	06.020	9	LW526-2220	06.010	21	S0165263	02.030	5
LW271-0305	06.040	19	LW526-3110	06.010	9	S0165263	04.010	19
LW271-0306	06.020	4	LW551-0030	04.010	52	S0172570	02.010	5
LW271-0306	06.030	4	LW551-0030	06.060	13	S0173370	02.030	3
LW271-0306	06.040	4	LW551-0050	06.010	22	S2204673	04.010	33
LW271-0306	06.050	6	LW551-0110	06.010	25	S2205473	04.010	51
LW271-0308	06.010	12	LW551-0450	03.010	25	S2205473	06.060	22
LW271-0311	06.010	4	LW551-1190	06.030	8	S2208673	02.060	17
LW271-0600	06.050	10	LW551-1205	06.030	9	S2209373	03.010	18
LW271-0605	06.020	2	LW551-3070	06.010	7	S2209873	04.010	24
LW271-0605	06.030	2	LW551-3260	13.010	24	S2211673	02.030	26
LW271-0605	06.040	2	LW551-3700	04.010	26	S2211673	02.080	15
LW271-0605	06.050	2	LW555-0160	06.060	17	S2211673	04.010	39
LW271-0610	06.010	2	LW555-1050	06.020	6	S2211873	02.020	10
LW271-0611	06.010	19	LW555-1050	06.040	5	S2212073	04.010	41
LW271-0953	13.010	26	LW555-1095	06.020	7	S2212673	02.050	8
LW271-1600	03.010	19	LW555-1100	06.050	7	S2214873	02.020	7

Part Number	Fig.	Item	Part Number	Fig.	Item	Part Number	Fig.	Item
S2215373	02.030	11	S4012643	02.030	17	S5102503	03.010	30
S2215573	02.020	4	S4012643	02.090	29	S5102503	04.010	43
S2218373	02.020	18	S4012643	02.100	7	S5102503	05.010	3
S2304673	10.010	2	S4012643	04.010	40	S5102503	06.060	15
S2308473	01.020	8	S4012643	11.010	6	S5102503	12.010	3
S2308473	01.030	8	S4012643	13.010	14	S5102603	02.010	8
S2308473	01.040	8	S4012743	02.030	20	S5102603	02.020	9
S2308473	01.050	8	S4012743	02.090	3	S5102603	02.030	16
S2308473	01.060	8	S4012743	04.010	47	S5102603	02.050	2
S2308473	01.070	19	S4012843	03.010	36	S5102603	02.080	14
S2308673	01.020	17	S4012943	04.010	22	S5102603	02.100	5
S2308673	01.050	23	S5000503	02.080	5	S5102603	03.010	21
S2308673	01.060	21	S5000503	05.010	2	S5102603	04.010	38
S2308673	01.070	7	S5000503	11.010	11	S5102703	02.010	26
S2308873	02.070	4	S5000603	00.010	16	S5102703	02.020	3
S2308873	11.010	10	S5000603	02.030	14	S5102703	02.030	10
S2309273	02.070	9	S5000603	02.070	6	S5102703	04.010	28
S2311673	01.020	5	S5000603	02.080	13	S5102803	02.020	21
S2311673	01.030	5	S5000603	11.010	5	S5102903	02.030	6
S2311673	01.040	5	S5000603	13.010	10	S5102903	04.010	21
S2311673	01.050	5	S5000803	02.020	17	S5103203	02.010	4
S2311673	01.060	5	S5000913	04.010	20	S5735281	11.010	7
S2311873	13.010	9	S5011003	00.010	9	S5735350	02.070	7
S2312073	01.020	26	S5100203	06.040	17	S5735611	00.010	10
S2312073	01.030	13	S5100300	10.010	3	S5736031	04.010	31
S2312073	01.040	13	S5100303	01.080	3	S6260120	02.010	24
S2312073	01.050	13	S5100503	01.020	7	S6270120	02.010	23
S2312073	01.060	13	S5100503	01.030	7	S6283316	01.020	18
S2312073	01.070	17	S5100503	01.040	7	S6500150	09.010	6
S2312073	13.010	13	S5100503	01.050	7	S6500150	09.020	6
S2315273	01.020	12	S5100503	01.060	7	S6500200	01.020	29
S3091160	03.010	33	S5100503	01.070	6	S6500200	02.020	13
S3140013	02.090	8	S5100503	02.050	4	S6500200	04.010	13
S3453098	03.010	4	S5100503	02.070	3	S6500350	01.020	14
S3453098	04.010	7	S5100503	02.090	11	S6500350	04.010	16
S3453108	13.010	16	S5100503	11.010	9	S6500400	01.050	21
S3456630	12.010	6	S5100503	13.010	17	S6500400	01.060	19
S4010603	01.020	25	S5100603	00.010	17	S6500500	02.030	28
S4010603	01.030	12	S5100603	01.020	4	S6510150	04.010	10
S4010603	01.040	12	S5100603	01.030	4	S6510180	03.010	7
S4010603	01.050	12	S5100603	01.040	4	S6510200	03.010	10
S4010603	01.060	12	S5100603	01.050	4	S6510280	01.050	15
S4010903	01.070	10	S5100603	01.060	4	S6510300	01.040	15
S4011003	01.060	15	S5100603	01.070	16	S6510350	01.030	15
S4012543	02.060	4	S5100603	11.010	4	S6510350	04.010	18
S4012543	02.070	8	S5100603	13.010	11	S6540800	02.070	11
S4012543	02.090	6	S5100703	01.020	11	S6710043	01.020	21
S4012543	02.100	9	S5102303	04.010	32	S8000141	06.040	14
S4012543	03.010	31	S5102503	02.030	31	S8000141	06.060	1
S4012543	09.010	8	S5102503	02.040	3	S8000181	06.040	3
S4012543	11.010	12	S5102503	02.050	5	S8000561	06.020	8
S4012543	13.010	18	S5102503	02.060	12	S8000651	06.010	11
S4012643	02.010	18	S5102503	02.080	6	S8000651	06.020	3

Part Number	Fig.	Item	Part Number	Fig.	Item	Part Number	Fig.	Item
S8000651	06.030	3						
S8000651	06.050	3						
S8000851	06.010	3						
S8001051	02.080	11						

Blank page

